

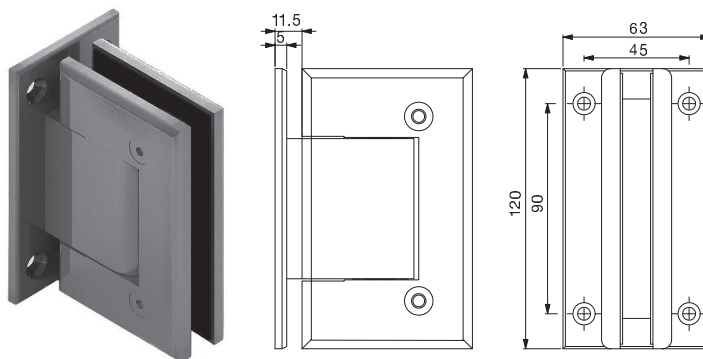
**EH1NHO** Glass to wall hydraulic hinge

**AVAILABLE FINISHES**

- Polished stainless steel, marine grade 316

**TECHNICAL DETAILS**

Made from aluminium and stainless steel  
Hinge opening angle 100°  
Self-closing from any angle  
Available as non-hold open (for pool environments) and hold open (doors)  
Non-hold open has an offset closed position to hold the gate or door firmly shut, preventing rattle  
Maximum recommended glass weight: 70kg  
Maximum recommended door width: 900mm  
Standard for 12mm glass, can be supplied for 10mm or 15mm glass on request  
Screw on each pivot block adjusts hydraulic closing speed



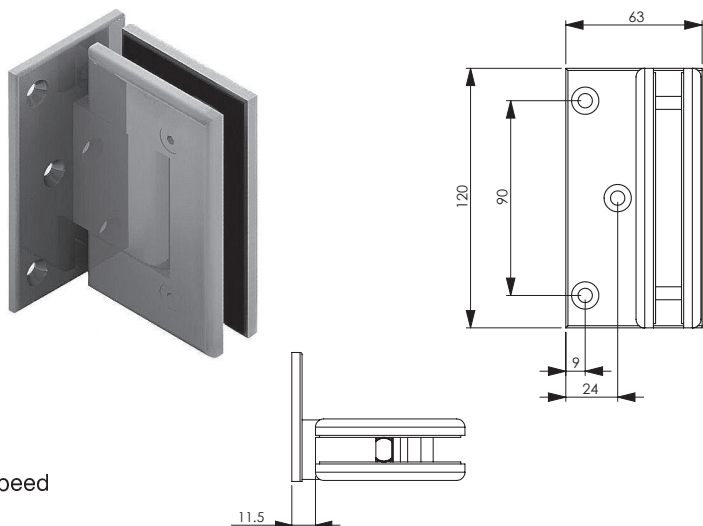
**EH1LNHO** Glass to wall hydraulic hinge, offset

**AVAILABLE FINISHES**

- Polished stainless steel, marine grade 316

**TECHNICAL DETAILS**

Made from aluminium and stainless steel  
Hinge opening angle 100°  
Self-closing from any angle  
Available as non-hold open (for pool environments) and hold open (doors)  
Non-hold open has an offset closed position to hold the gate or door firmly shut, preventing rattle  
Maximum recommended glass weight: 70kg  
Maximum recommended door width: 900mm  
Standard for 12mm glass, can be supplied for 10mm or 15mm glass on request  
Screw on each pivot block adjusts hydraulic closing speed



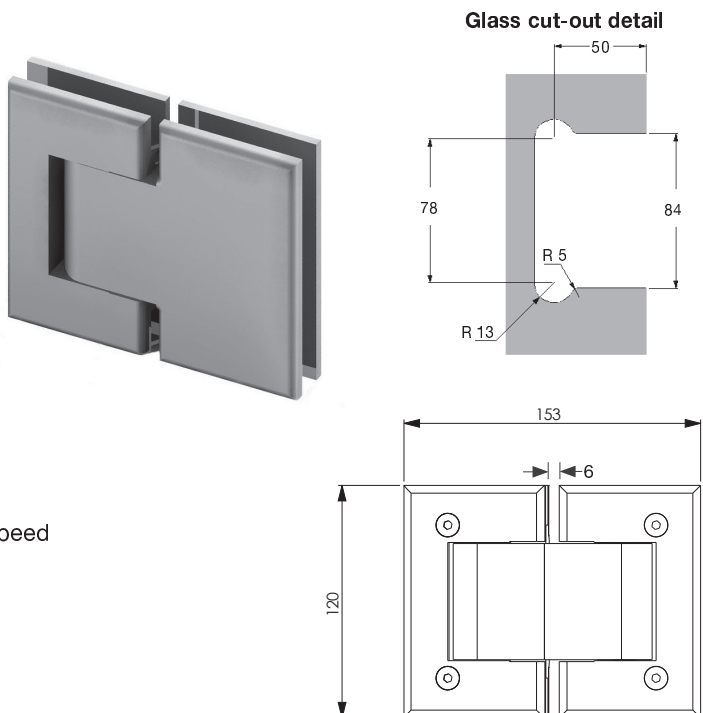
**EH2NHO** Glass to glass hydraulic hinge

**AVAILABLE FINISHES**

- Polished stainless steel, marine grade 316

**TECHNICAL DETAILS**

Made from aluminium and stainless steel  
Hinge opening angle 100°  
Self-closing from any angle  
Available as non-hold open (for pool environments) and hold open (doors)  
Non-hold open has an offset closed position to hold the gate or door firmly shut, preventing rattle  
Maximum recommended glass weight: 70kg  
Maximum recommended door width: 900mm  
Standard for 12mm glass, can be supplied for 10mm or 15mm glass on request  
Screw on each pivot block adjusts hydraulic closing speed



# BALUSTRADE & POOL: VIENNA POOL GATE LATCHES

(Profile & finish to complement hydraulic hinge)

CALL: (09) 624-1180  
www.euroglass.co.nz



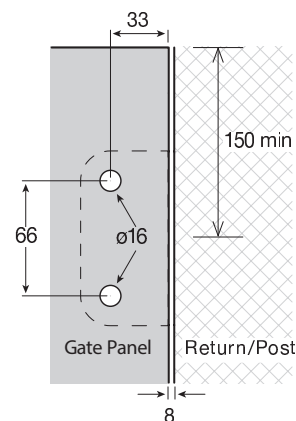
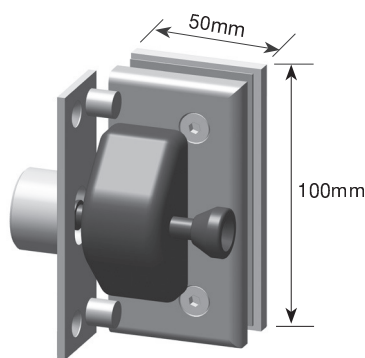
## EHPL1 Gate latch and strike

### AVAILABLE FINISHES

- Polished stainless steel, marine grade 316

### TECHNICAL DETAILS

Designed for a frameless glass pool gate that closes to a post or wall  
Single action, self-latching magnetic operation  
Manufactured in aluminium and stainless steel  
Standard for 12mm glass, can be supplied for 10mm or 15mm glass on request



Glass Preparation

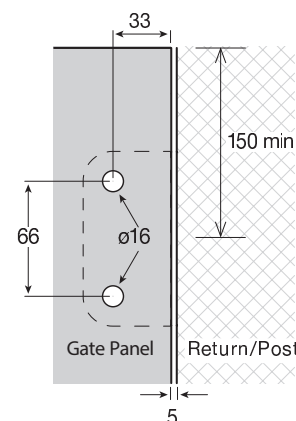
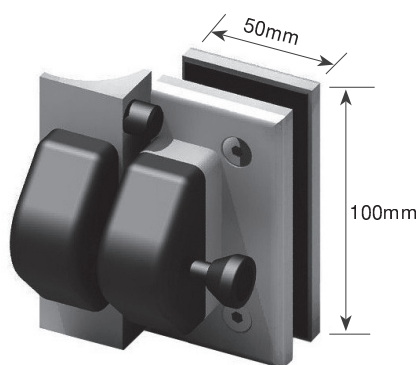
## EHPL1RP Round Post Gate latch and strike

### AVAILABLE FINISHES

- Polished stainless steel, marine grade 316

### TECHNICAL DETAILS

Designed for a frameless glass pool gate 50mm dia. post mount  
Single action, self-latching magnetic operation  
Manufactured in aluminium and stainless steel  
Standard for 12mm glass, can be supplied for 10mm or 15mm glass on request



Glass Preparation

Made to order only

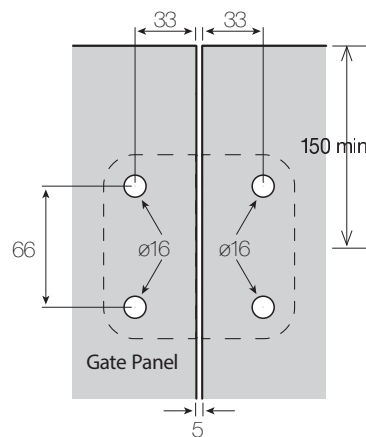
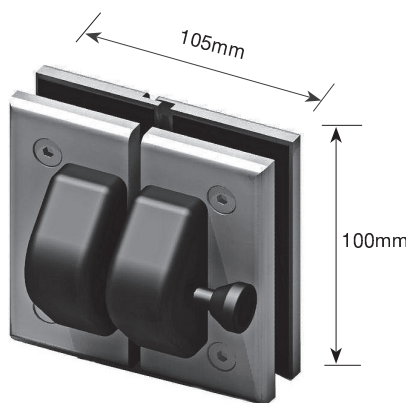
## EHPL2 Gate latch and keeper

### AVAILABLE FINISHES

- Polished stainless steel, marine grade 316

### TECHNICAL DETAILS

Designed for a frameless glass pool gate and side panel  
Single action, self-latching magnetic operation  
Manufactured in aluminium and stainless steel  
Standard for 12mm glass, can be supplied for 10mm or 15mm glass on request



Glass Preparation

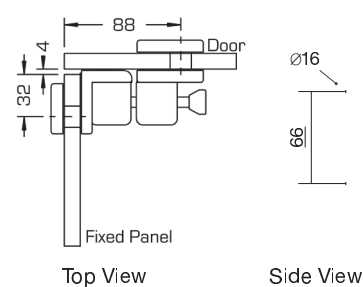
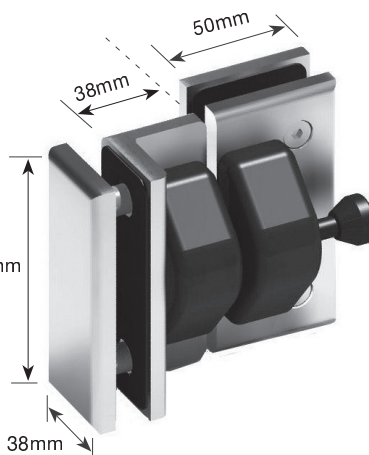
## EHPL290 Gate latch and keeper

### AVAILABLE FINISHES

- Polished stainless steel, marine grade 316

### TECHNICAL DETAILS

Designed for a frameless glass pool gate that closes to a side panel at 90°  
Single action, self-latching magnetic operation  
Manufactured in aluminium and stainless steel  
Standard for 12mm glass, can be supplied for 10mm or 15mm glass on request



Glass Preparation

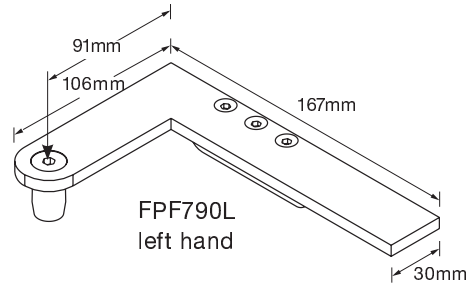
**FPF790 Europool top pivot arm 90°**

**AVAILABLE FINISHES**

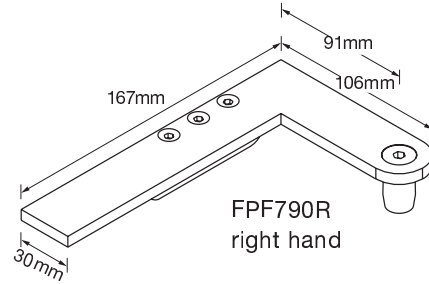
- Polished stainless steel
- Satin stainless steel

**TECHNICAL DETAILS**

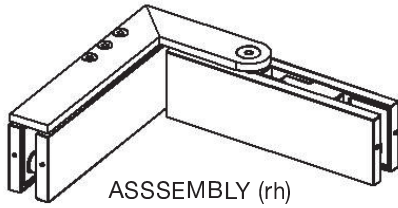
Designed for mounting a glass gate to a glass balustrade  
Used in conjunction with HPT20/HPT10 top patch fittings that allows them to work as a top pivot set  
Frameless glass mounting  
Manufactured in 316 stainless steel



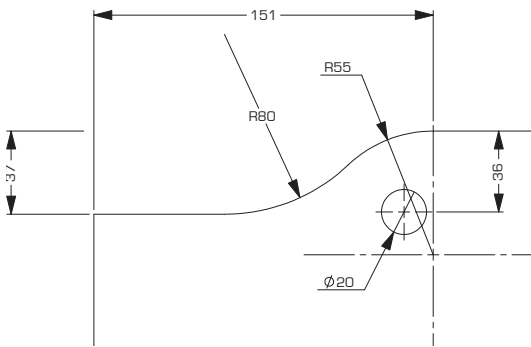
FPF790L  
left hand



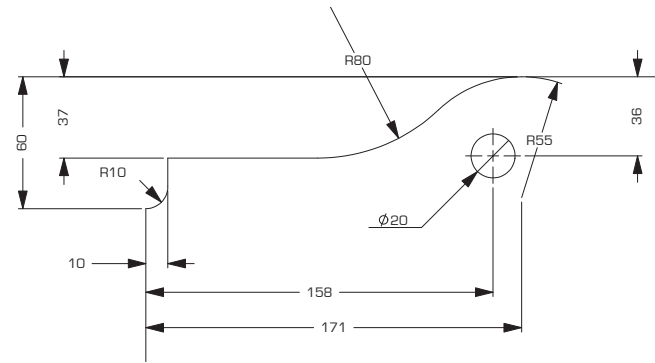
FPF790R  
right hand



ASSEMBLY (rh)



RETURN PANEL



DOOR

**HPT20PG Top fitting to suit pool gate pivots**

**AVAILABLE FINISHES**

- Polished stainless steel
- Satin stainless steel

**TECHNICAL DETAILS**

Top patch fitting suitable for Euroglass pool gate fittings: FPF5/FPF6/FPF7 and FPF790/FPF8  
Adjustable pivot insert  
Features concealing cover plates

