

HRC1 Roundline Interlinking Handrail
2205 Duplex Stainless Steel Interlinking Handrail Capping

AVAILABLE FINISHES

- Polished stainless steel
- Satin stainless steel, lead time applies

TECHNICAL DETAILS

5.8m stock lengths

Glass width limits can be found on page B14

Easy to install using simple tools, no on site welding required

Roundline is easily attached to the glass using a compression fit rubber molding

Suitable for 12mm, 15mm and 19mm toughened safety glass

and 13.5mm and 17.5mm toughened laminated safety glass

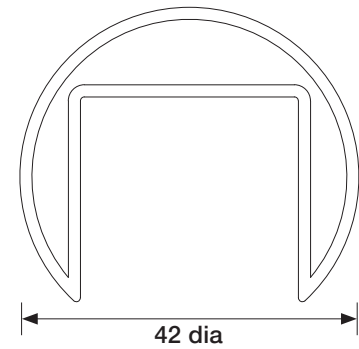
Joiners, end caps and wall mount brackets are glued together using tube lock

Joiners need be located between the glass panes

Wall mount bracket requires a EPDM washer when penetrating

cladding, weatherboards and membrane surfaces

EPDM washers are sold separately (lead time applies)



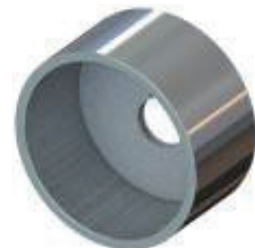
Range of components;



HRC1SJ
Straight Joiner



HRC1EC
End Cap



HRC1WA
Wall Anchor



HRC1C90
Cast 90deg Corner



HRC1VAJ
Vertical Adjustable
Joiner



HRC1HAJ
Horizontal
Adjustable Joiner

HRC2 Squareline Interlinking Handrail
2205 Duplex Stainless Steel Interlinking Handrail Capping

AVAILABLE FINISHES

- Polished stainless steel
- Satin stainless steel, lead time applies

TECHNICAL DETAILS

5.8m stock lengths

Glass width limits can be found on page B14

Easy to install using simple tools, no on site welding required

Squareline is easily attached to the glass using a compression fit rubber molding

Suitable for 12mm, 15mm and 19mm toughened safety glass

and 13.5mm and 17.5mm toughened laminated safety glass

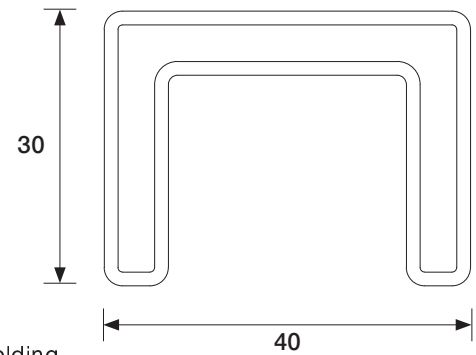
Joiners, end caps and wall mount brackets are glued together using tube lock

Joiners need be located between the glass panes

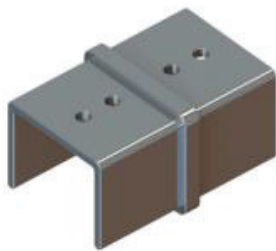
Wall mount bracket requires a EPDM washer when penetrating

cladding, weatherboards and membrane surfaces

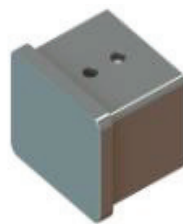
EPDM washers are sold separately (lead time applies)



Range of components;



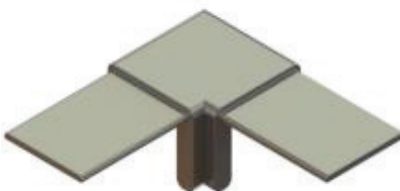
HRC2SJ
Straight Joiner



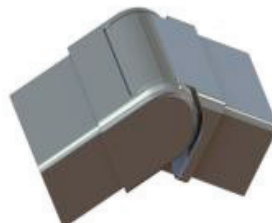
HRC2EC
End Cap



HRC2WA
Wall Anchor



HRC2C90
Cast 90deg Corner



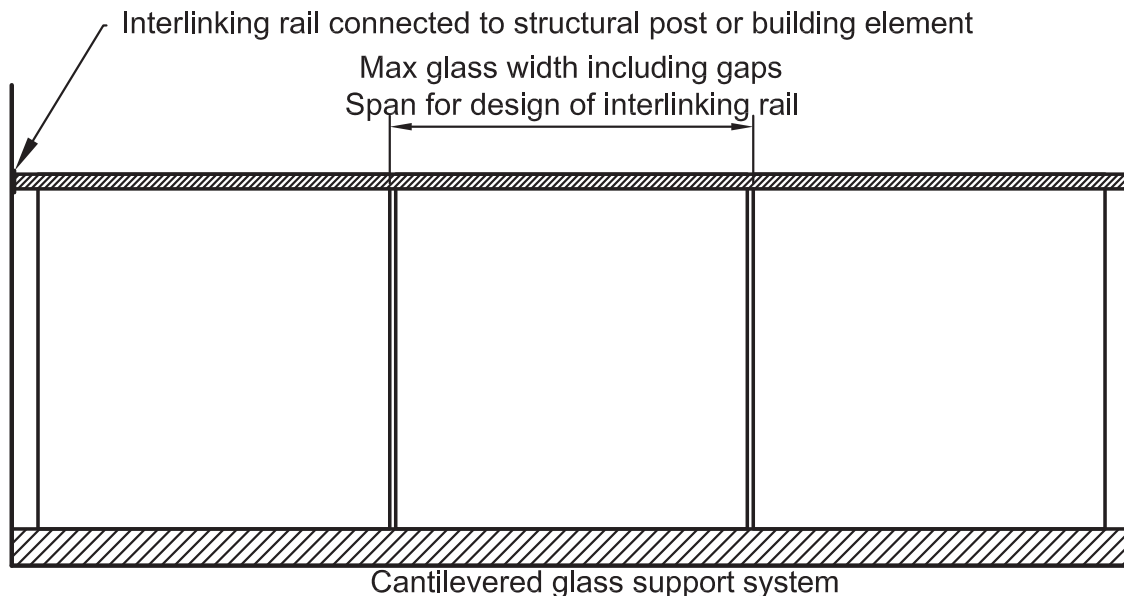
HRC2VAJ
Vertical Adjustable
Joiner



HRC2HAJ
Horizontal
Adjustable Joiner

HRC1 Roundline Interlinking Handrail
HRC2 Squareline Interlinking Handrail

TECHNICAL DETAILS - GLASS WIDTH LIMITS



HRC1 Roundline Interlinking Handrail

Occupancy type A other and C3; Maximum glass width 2200mm

Occupancy type C1/C2 & D; Maximum glass width 1400mm

Occupancy type C5; Specific design is required

HRC2 Squareline Interlinking Handrail

Occupancy type A other and C3; Maximum glass width 2100mm

Occupancy type C1/C2 & D; Maximum glass width 1400mm

Occupancy type C5; Specific design is required

Notes;

- 1) These interlinking rails are designed to resist SLS design loads in the event of a single pane of glass breaking
- 2) Interlinking rail must be supported by each pane, structural post or other building element
- 3) Interlinking rail must be mechanically connected using joiners or welded together
- 4) Joiners or welds need be located between the glass panes
- 5) In the unlikely event of a glass pane breaking, the deflection of this interlinking rail under SLS design loads is restricted to $\text{span} / 60$
- 6) Specific design is required for occupancy type C5

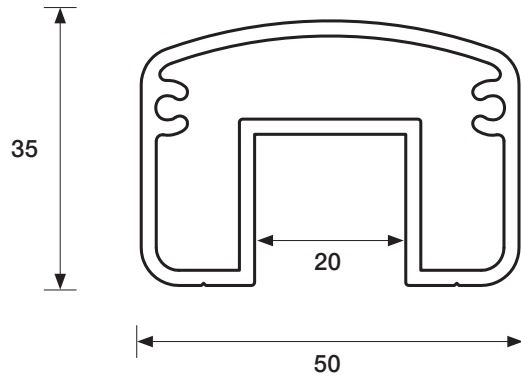
HRC3 Archline
Aluminium Interlinking Handrail Capping

AVAILABLE FINISHES

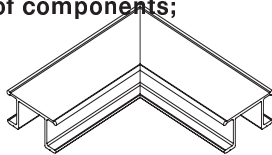
- Mill
- Silver Pearl powdercoat
- Selected powdercoat, lead time applies

TECHNICAL DETAILS

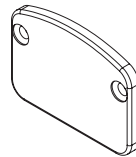
5m stock lengths
Glass width limits can be found on page B16
Easy to install using simple tools, no on site welding required
Suitable for 12mm and 15mm toughened safety glass
and 13.5mm and 17.5mm toughened laminated safety glass
Interlinking capping is anotec powdercoated with a 10yr warranty
Joiners, end caps and wall mount brackets are supplied complete with screws
HRC3WM - wall mount bracket requires a EPDM washer when penetrating
cladding, weatherboards and membrane surfaces. HRC3EPDM sold separately.



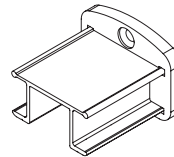
Range of components;



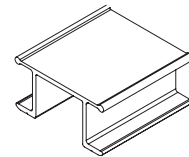
HRC3J90



HRC3EC



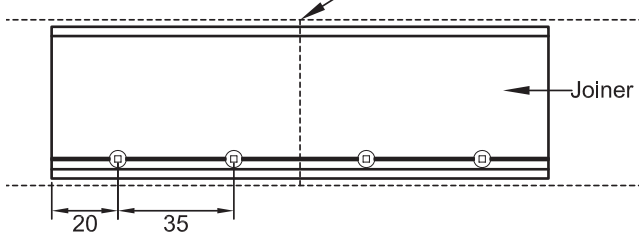
HRC3WM



HRC3SJ

Joiner Installation Details

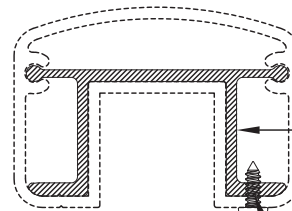
Joint in rail to be located between glass panes



Straight joiner

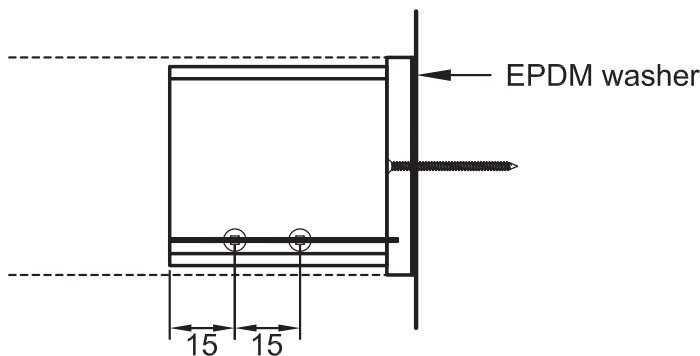
HRC3SJ

Straight Joiner Connection Detail



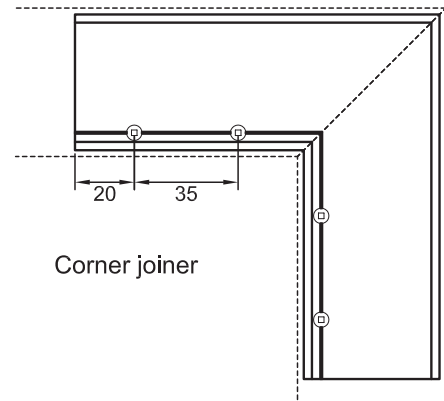
Wall, corner or straight joiner

2 x 8 gauge screw
both sides of joint



HRC3WM

Wall Mount Bracket Connection Detail



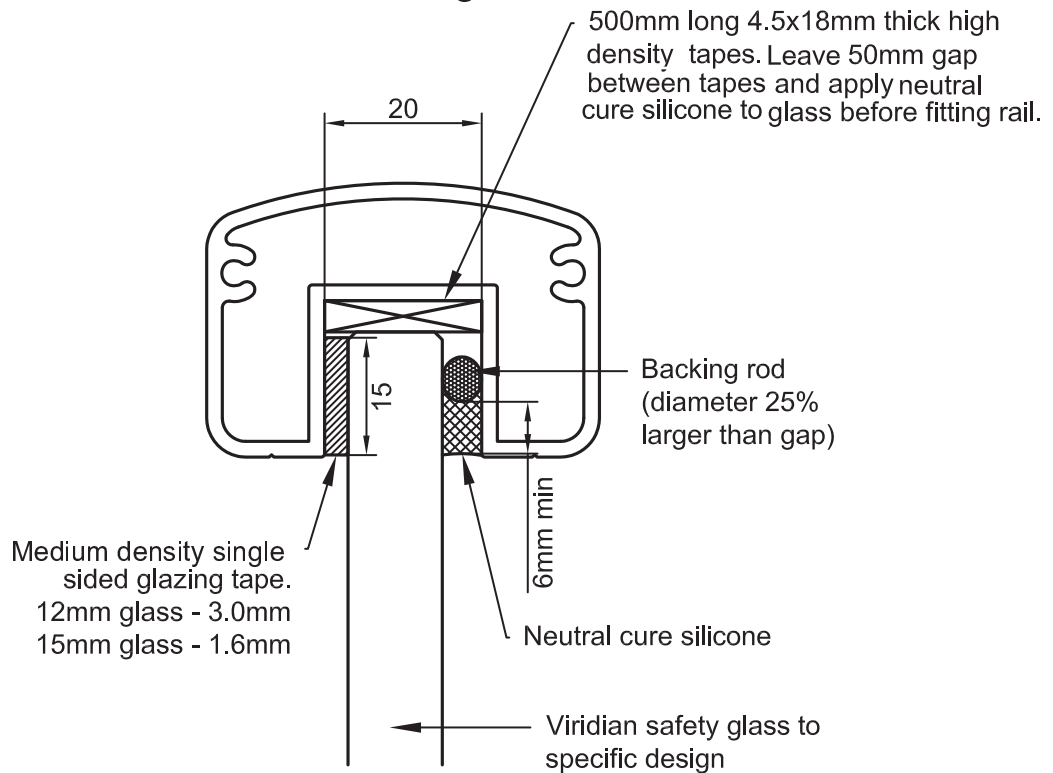
Corner joiner

HRC3J90

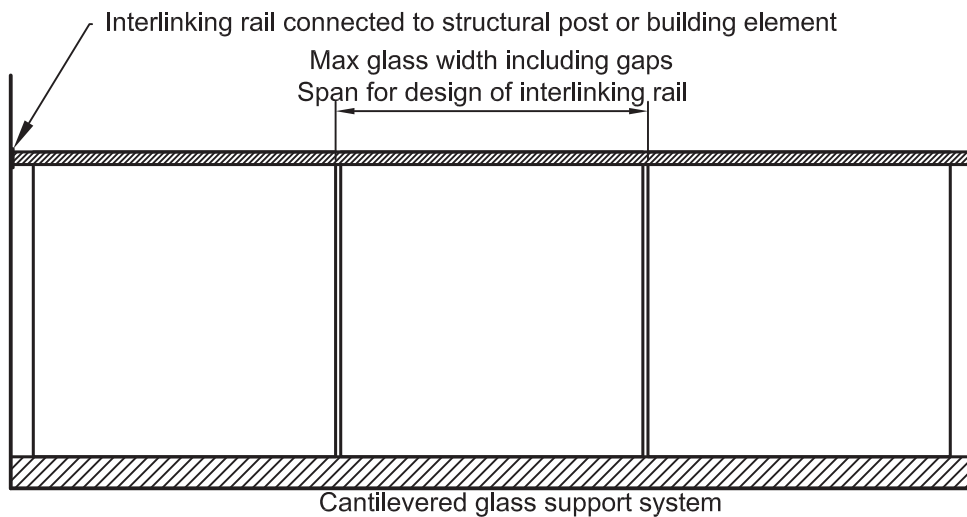
90deg Joiner Connection Detail

HRC3 Archline
Aluminium Interlinking Handrail Capping

Glass Mounting Detail



Glass Width Limits



Occupancy type A other and C3; Maximum glass width 1850mm
Occupancy type C1/C2 & D; Maximum glass width 1000mm
Occupancy type C5; Specific design is required

Notes;

- 1) This interlinking rail is designed to resist SLS design loads in the event of a single pane of glass breaking
- 2) Interlinking rail must be supported by each pane, structural post or other building element
- 3) Interlinking rail must be mechanically connected using joiners or welded together
- 4) Joiners or welds need to be located between the glass panes
- 5) In the unlikely event of a glass pane breaking, the deflection of this interlinking rail under SLS design loads is restricted to span / 60
- 6) Specific design is required for occupancy type C5