

**NOTES:**

1. This balustrade system complies with New Zealand Building Code Clauses B1 Structure, F2 Hazardous Building Materials and F4 Safety From Falling Third Edition, subject to:

- all products meeting the required performance specification
- site installation carried out in accordance with intent of this drawing
- minimum balustrade height of 1100mm from finished floor level

2. Based on residential occupancy A(other) or C3 of Table 3.3 AS/NZS 1170.1, maximum heights for wind zones and clamp spacing are:

Wind zones:

Up to extra high 1200 mm  
Up to very high 1300 mm

Pradis clamp spacing 800mm crs

3. The design of the concrete, steel or timber support for the balustrade is the responsibility of others.

4. A handrail of 32-50mm diameter is required for stairs and ramps exceeding 1:20 slope. Refer NZBC D1/AS1.

5. Viridian glass options are:

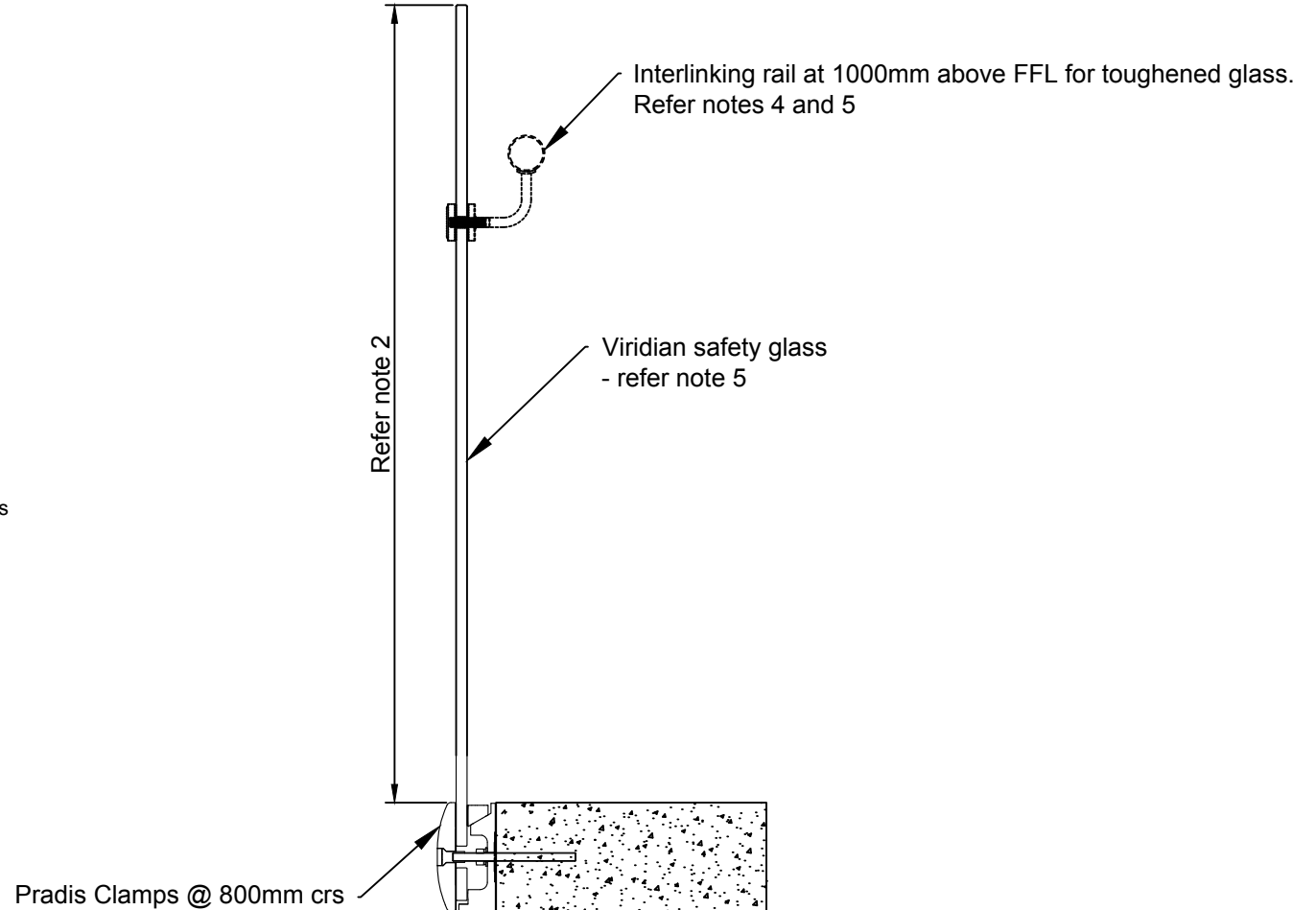
- a. 15mm toughened safety glass with interlinking rail
- b. 17.52mm toughened SentryGlas laminated safety glass with gap clamps

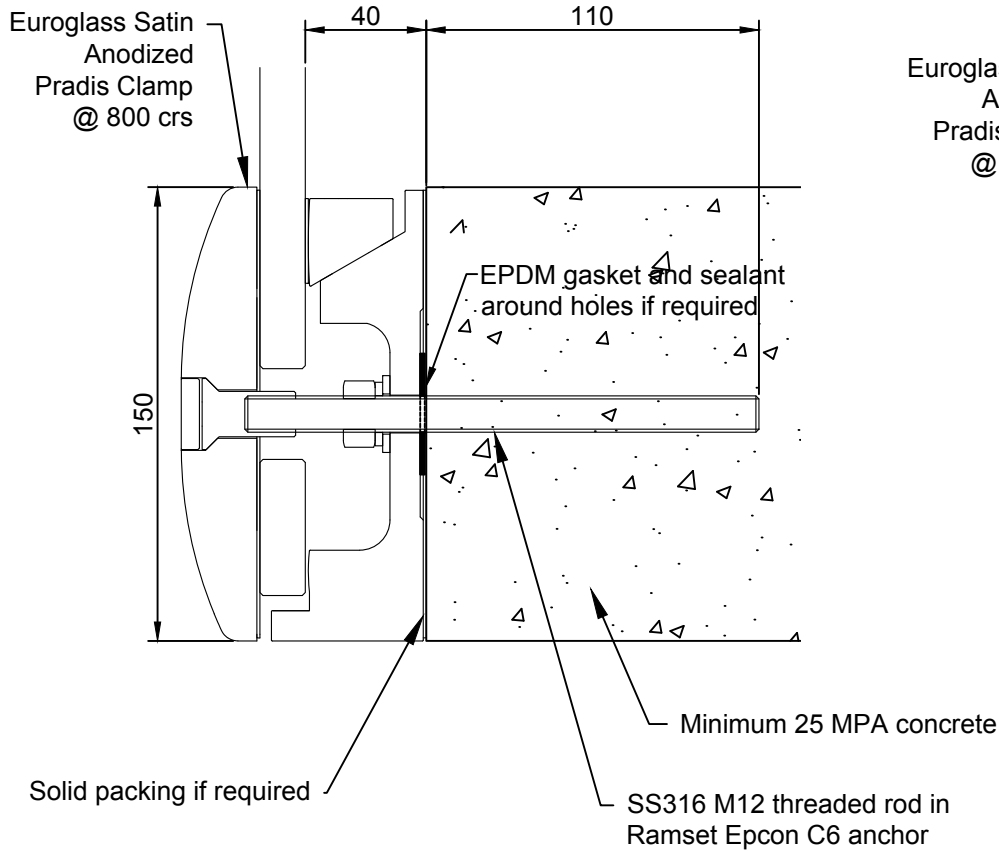
Interlinking rail or gap clamps must be connected to each glass pane or the building.

6. Maximum distance from side edge of glass to Pradis clamp - 200mm.

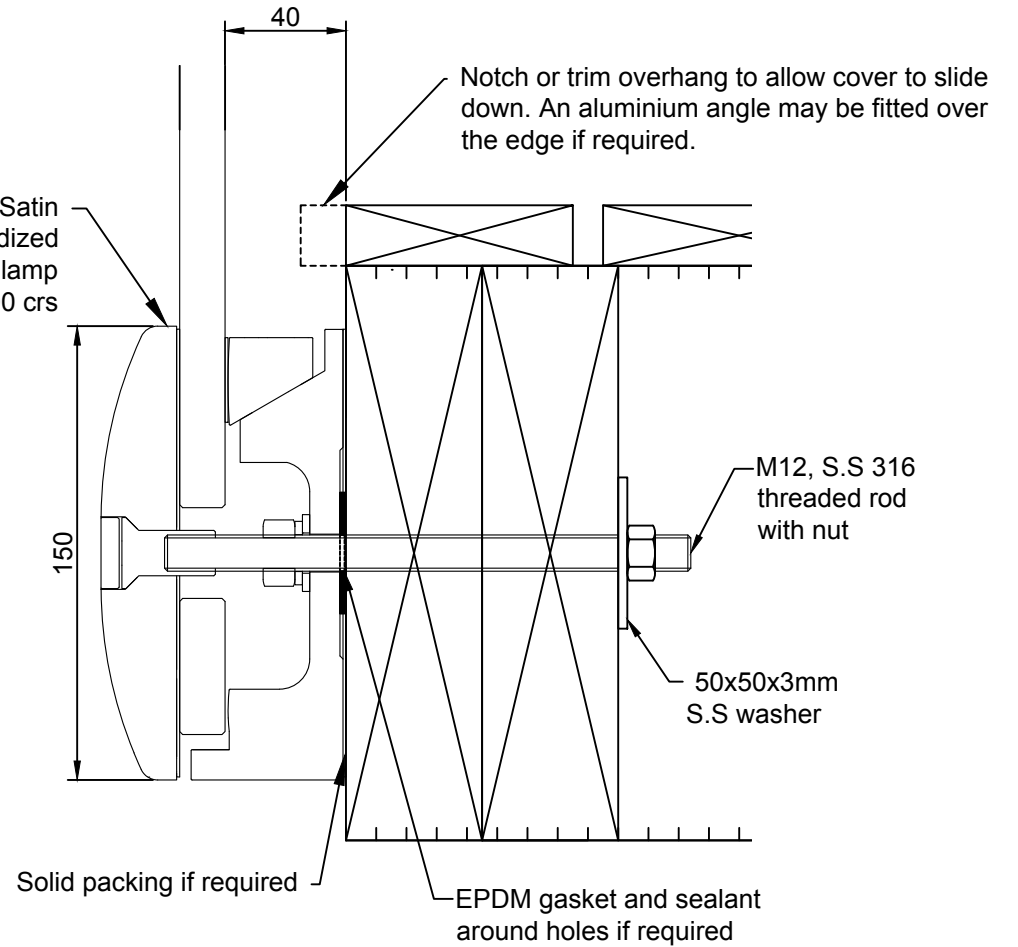
**IMPORTANT**

These drawings are provided as a general guide and may be amended without prior notice. Please contact Euroglass for specific design.

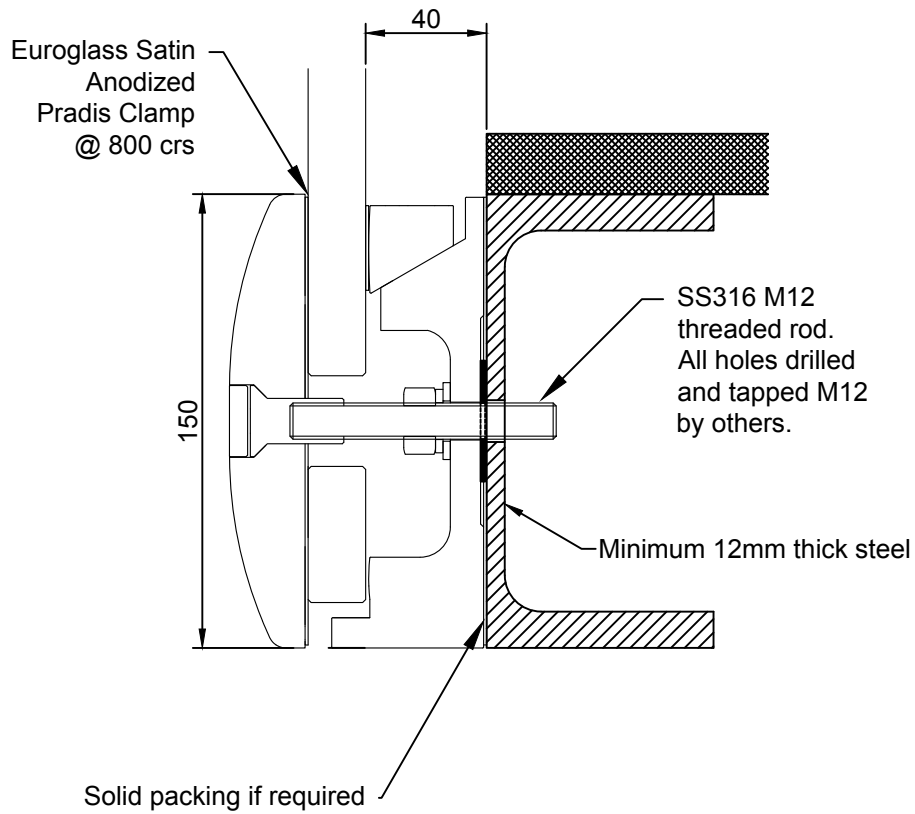




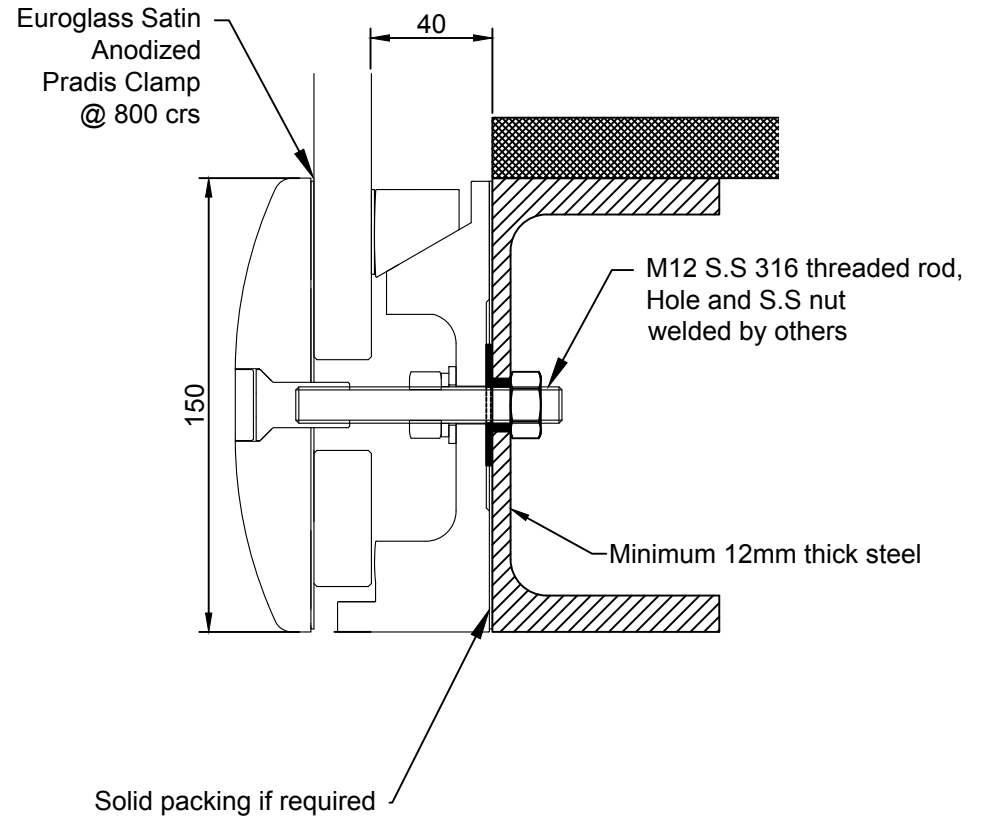
**FIXING DETAIL A  
CONCRETE**



**FIXING DETAIL B  
BOLT TROUGH SG8 TIMBER**



**FIXING DETAIL A  
FOR INTERNAL INSTALLATION ONLY**



**FIXING DETAIL B**