

**NOTES:**

1. This balustrade system complies with New Zealand Building Code Clauses B1 Structure, F2 Hazardous Building Materials and F4 Safety From Falling Third Edition, subject to:

- all products meeting the required performance specification
- site installation carried out in accordance with intent of this drawing
- minimum balustrade height of 1000mm from finished floor level

2. Based on commercial occupancies C1/C2 & D of Table 3.3 AS/NZS 1170.1 and extra high wind zone (2.13 kPa) or less, maximum height and clamp spacing are:

- Maximum height 1100mm
- Pradis clamps @ 400mm crs for steel, concrete and bolt through with timber

3. The design of the concrete, steel or timber support for the balustrade is the responsibility of others.

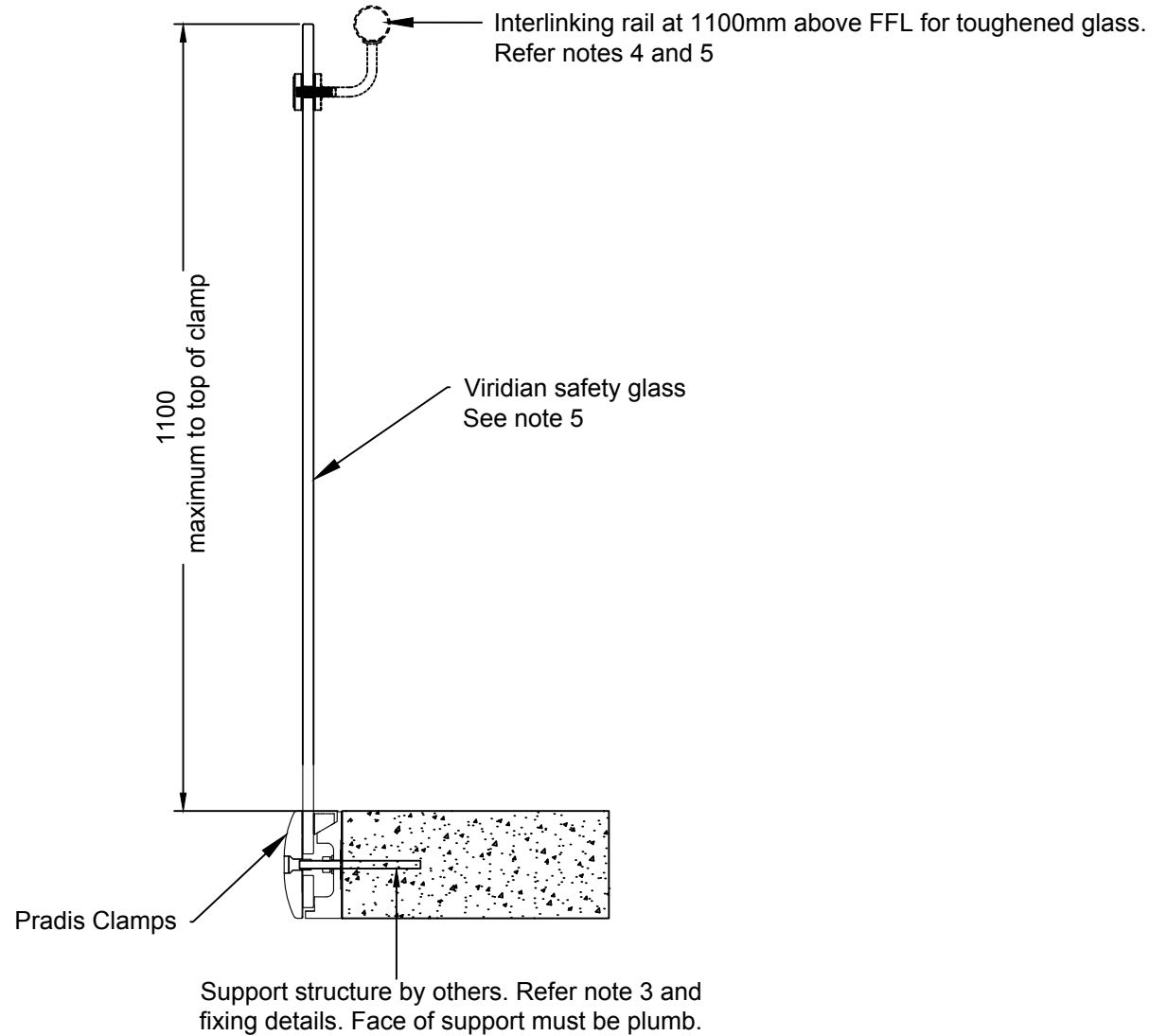
4. A handrail of 32-50mm diameter is required for stairs and ramps exceeding 1:20 slope. Refer NZBC D1/AS1.

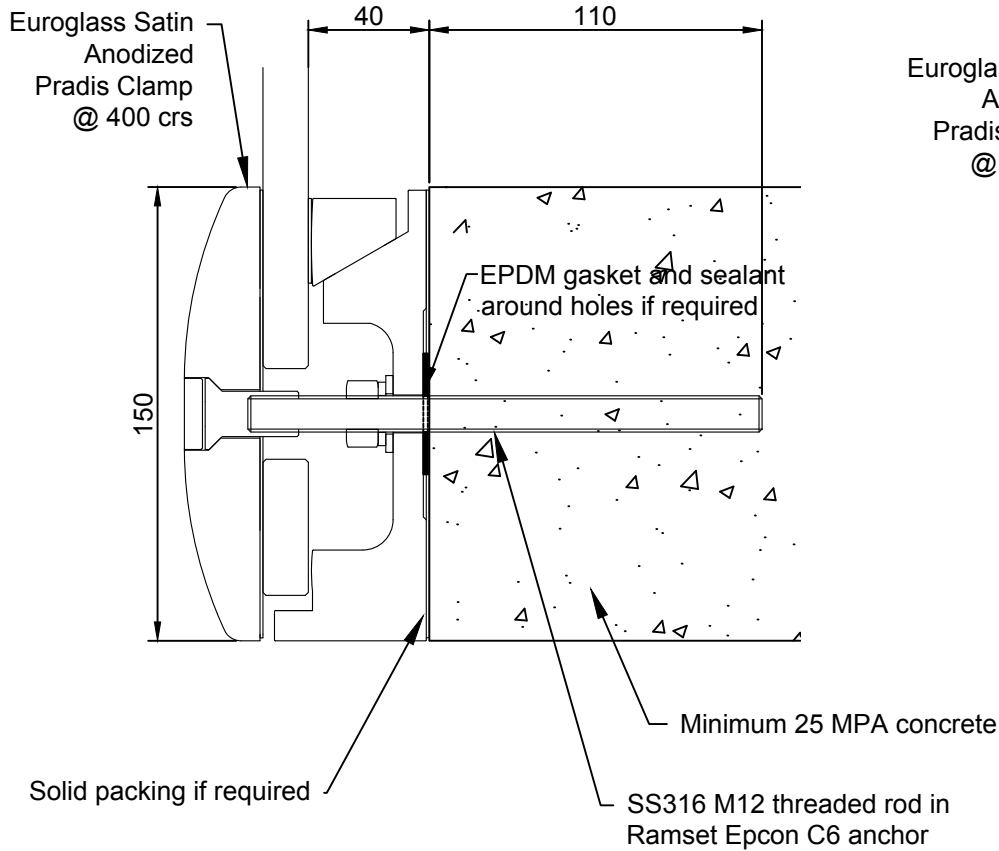
5. Viridian safety glass options are:

- a. 19mm toughened safety glass with interlinking rail
- b. 17.52mm toughened SentryGlas laminated glass with gap clamps

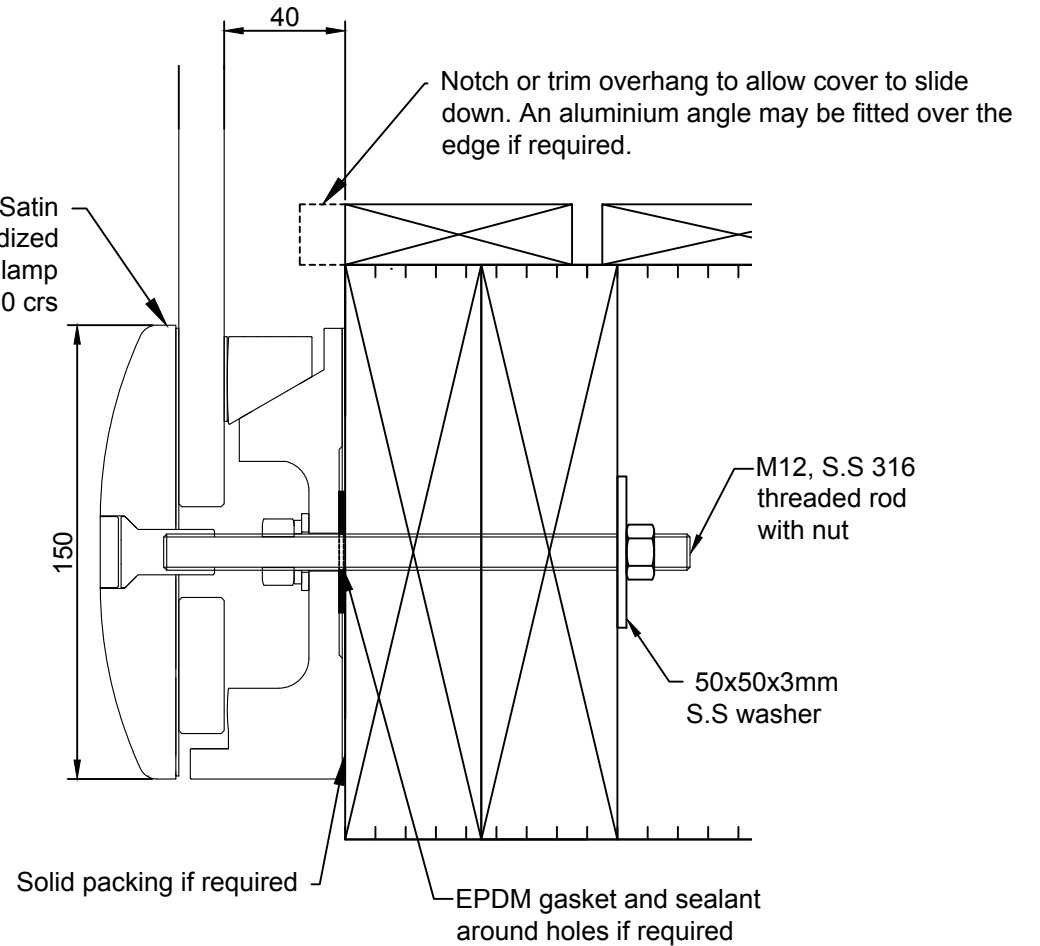
6. Interlinking rail or gap clamps must be connected to each glass pane or the building.

7. Maximum distance from side edge of glass to fixings - 200mm

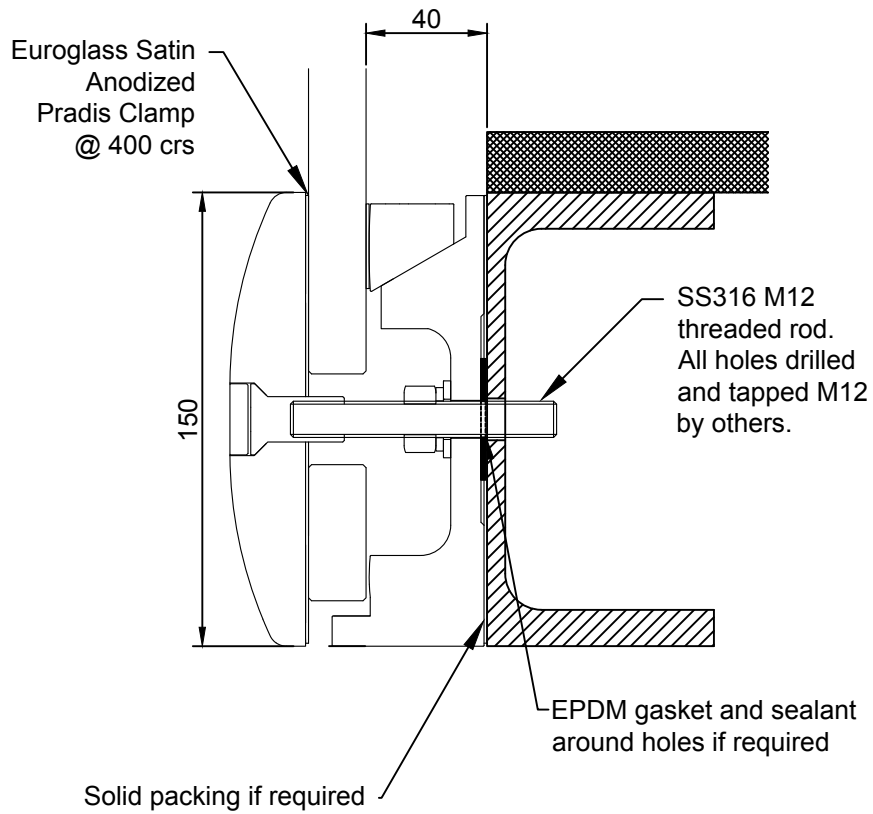




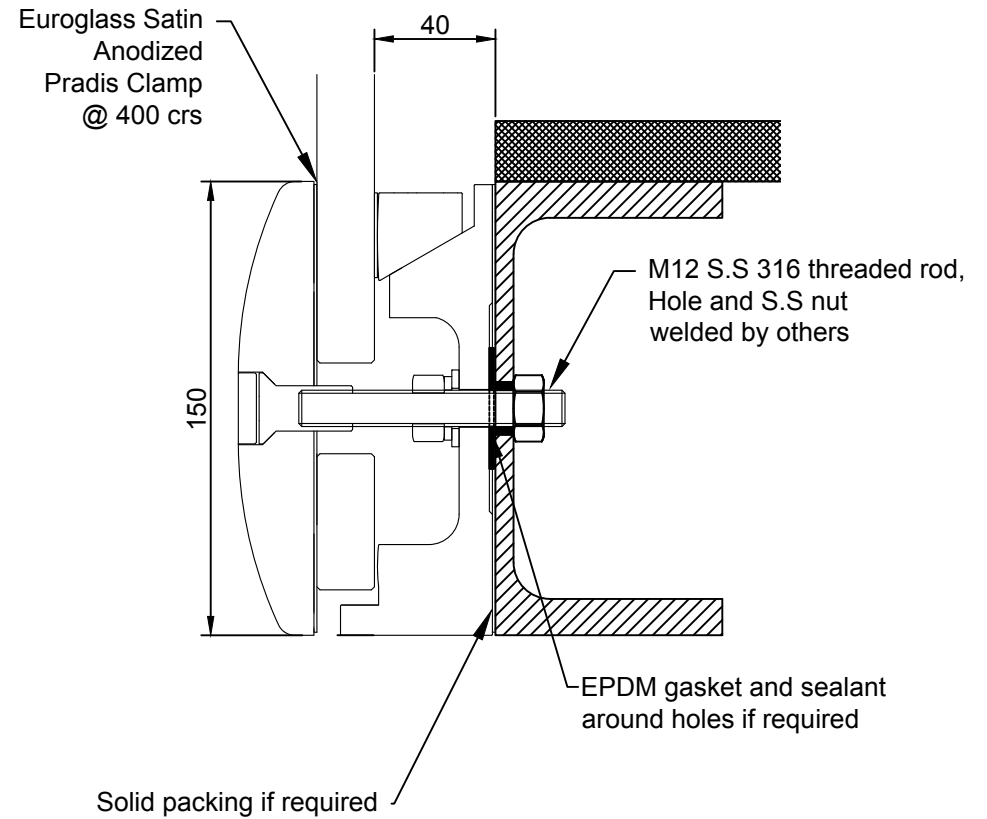
**CONCRETE  
DETAIL A**



**BOLT TROUGH SG8 TIMBER  
DETAIL B**



FOR INTERNAL INSTALLATION ONLY  
DETAIL A



DETAIL B