

NOTES:

1. This proprietary pool fence complies with New Zealand Building Code B1, F2 and NZS 8500:2006 Safety Barriers and Fences Around Swimming Pools, Spas and Hot Tubs, subject to:

- all products meeting the required performance specification
- site installation carried out in accordance with intent of this drawing
- minimum fence height of 1200mm from finished floor level
- pool fence does not safeguard a fall of a metre or more

2. Based on wind zones, 330 N point load from NZS 8500:2006 and 800mm Pradis spacing, maximum heights are:

Wind zones:

Extra high	1200 mm
Very high	1300 mm
High	1450 mm
Medium	1600 mm

3. Viridian glass options are:

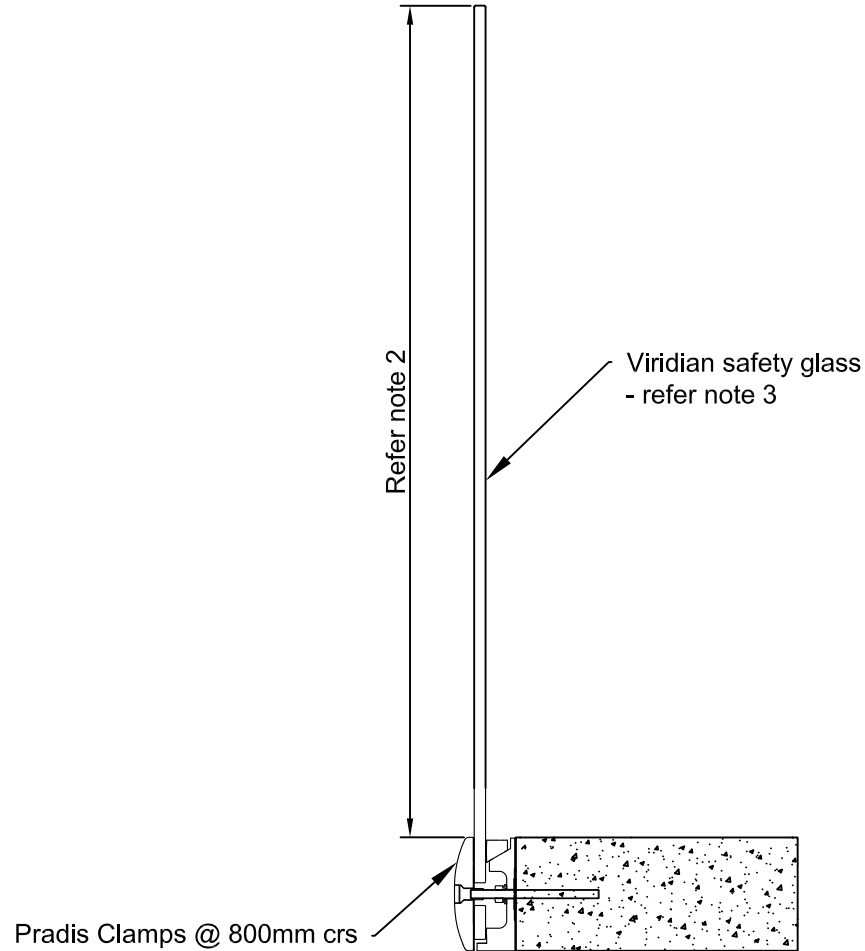
- a. 15mm toughened safety glass
- b. 17.52mm toughened SentryGlas laminated safety glass

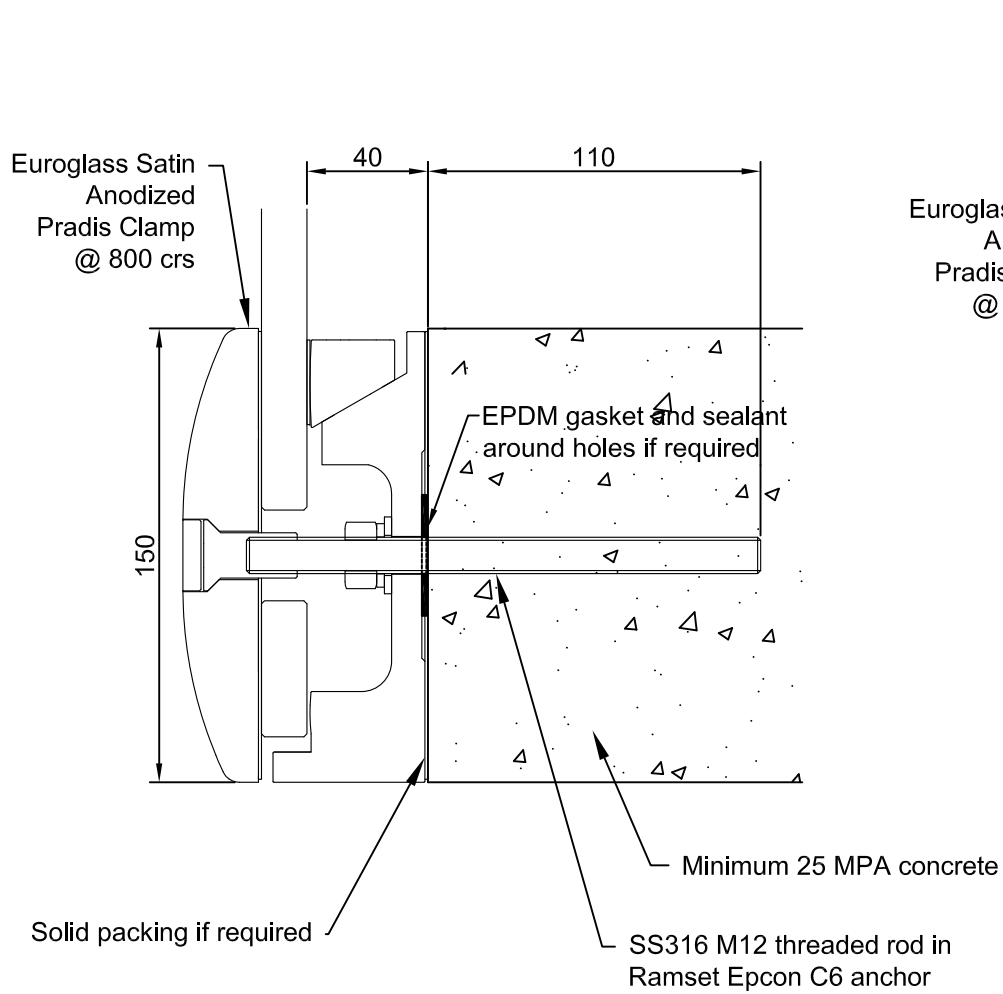
To make allowance for the consequences of failure required by B1.3.4 of Building Code B1, glass option b should be selected.

4. The design of the concrete, steel or timber support for the balustrade is the responsibility of others.

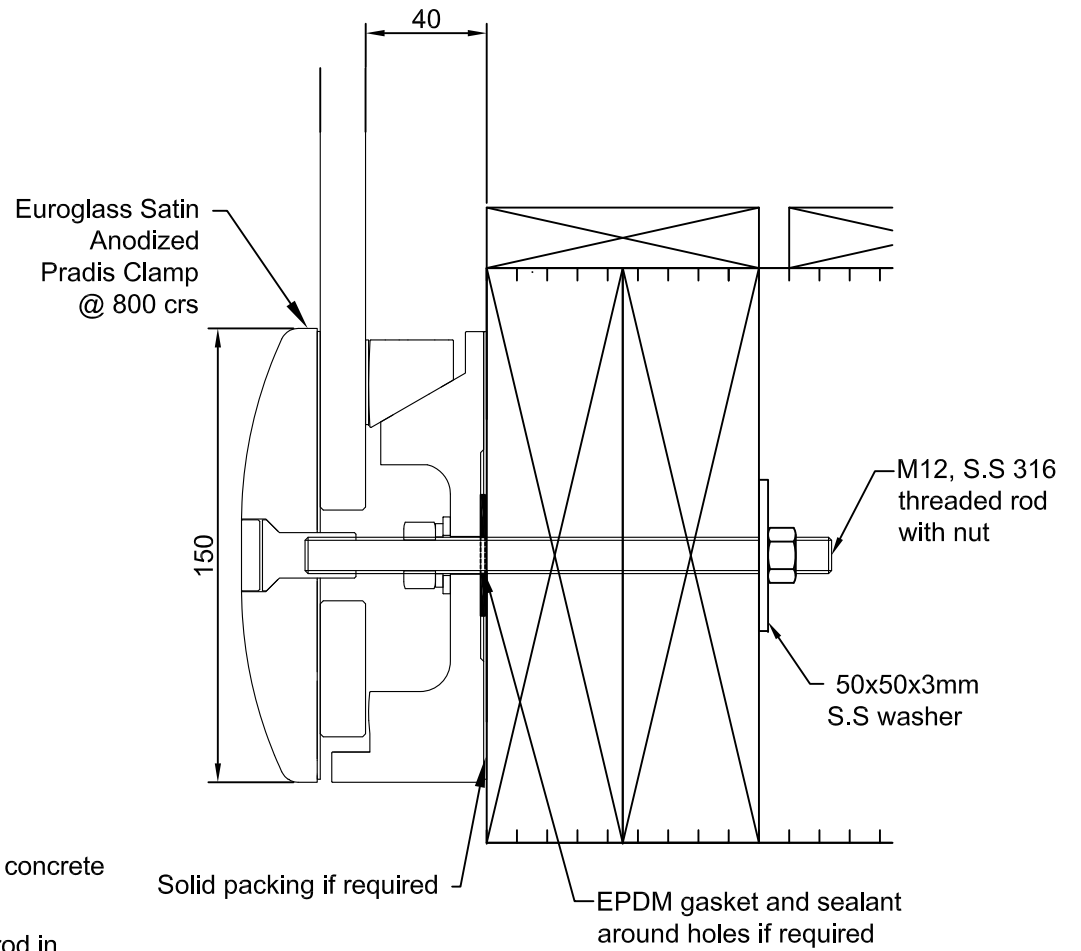
5. Minimum width of glass panel is 1000mm unless connected by interlinking corner brackets to adjacent panes or the building.

7. Maximum distance from side edge of glass to clamp is 200mm





CONCRETE



BOLT TROUGH SG8 TIMBER

