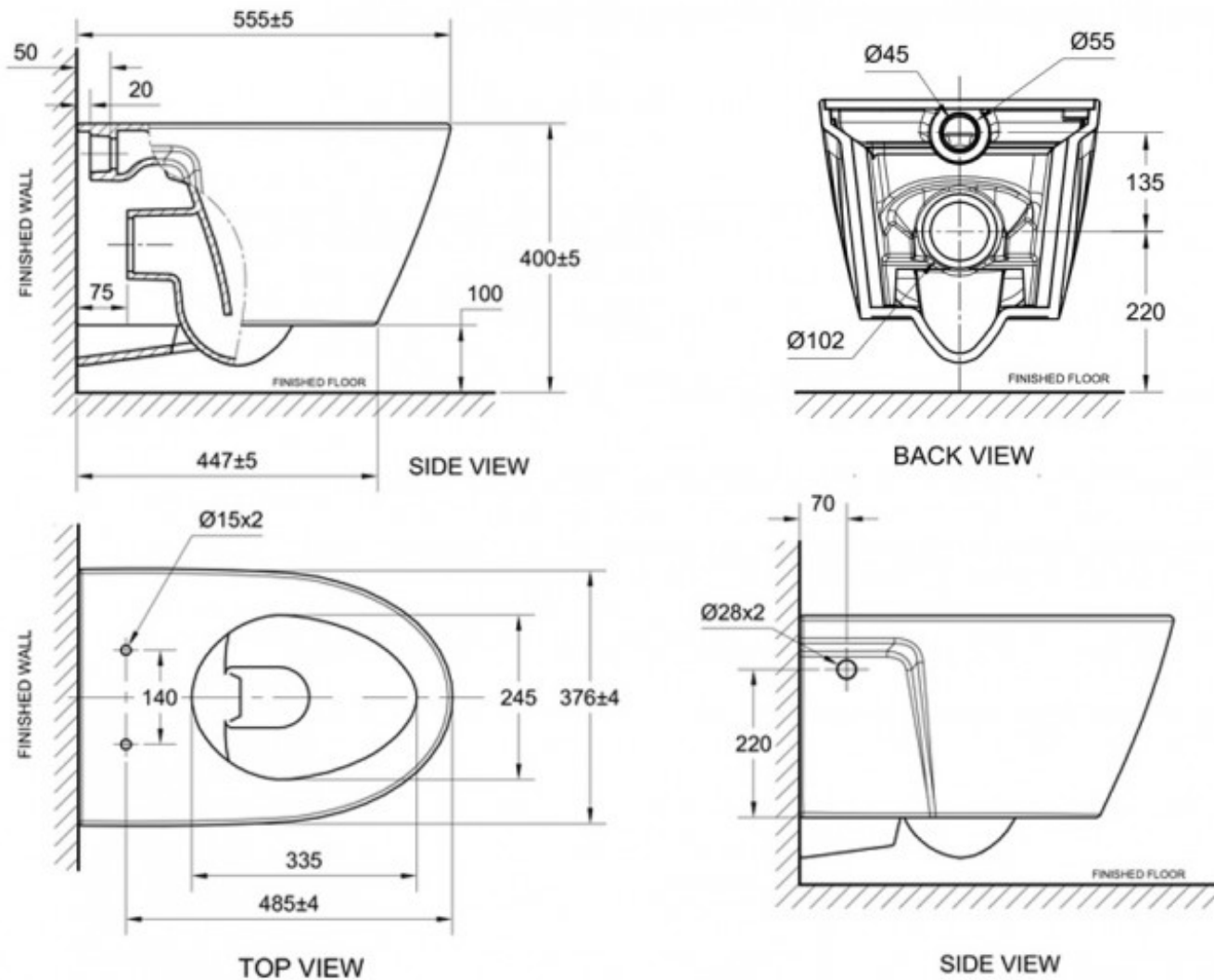


## ACACIA E WALL HUNG PAN C/W SEAT

*American Standard*

14687.10

\$869.00



7

Guarantee

7 Year Guarantee



4 Star WELS rating  
(Toilets)

Allows for a 4.5 litre large flush and a 3 litre half flush



Dimensions

555 (L) x 376 (W) x 400 (H)mm



Residential/Light  
Commercial

Suitable for Residential/Light Commercial Use (Kitchens,  
Bathrooms and Laundries in Motels, Hotels and  
Retirement Villages)



Commercial Use

Suitable for commercial use.



AquaCeramics

Super hydrophilic technology prevents dirt and dark ring  
stains from sticking to ceramic surface.



Pro-Guard

Proguard, which is applied to the ceramic, prevents silica  
in the water from adhering to the surface, inhibiting the  
build-up of water stains.





Double Vortex  
Flushing System

Maximum flushing performance, with minimum water usage. The design of the bowl propels the water forward and creates a strong flushing momentum.



Set Out: P Pan

220mm



Soft Close Seat

The Soft Close automatic closure system finally puts an end to noisy closing WC seats. Just a fingertip touch and the lid closes all by itself, gently and silently.



Anti Bacterial Finish

Pre-built with an antibacterial glaze that effectively Kills 99% of bacteria.

Inspired by form and simplicity, Acacia Evolution design exhibits soft, thin edges. It is also technologically equipped with powerful flushing system, anti-bacterial touch points and other revolutionary enhancements.