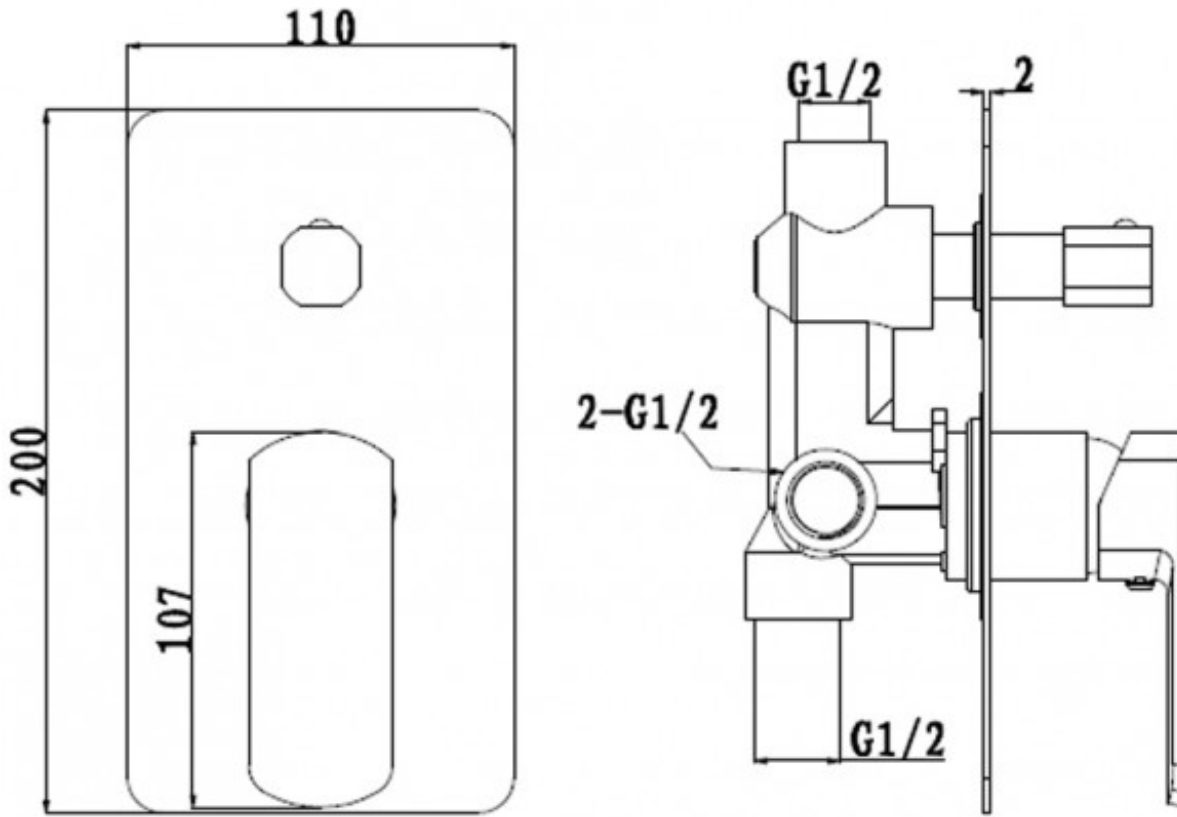


ION DIVERTER MIXER CHROME

ELEMENTI

44280.02
\$395.00



Residential/Light Commercial

Suitable for Residential/Light Commercial Use (Kitchens, Bathrooms and Laundries in Motels, Hotels and Retirement Villages)



Electroplated (BRUSHED NICKEL)

Electrical current is used to dissolve components into Lacquer that then adhere to the surface.



Electroplated (GUN METAL)

Electrical current is used to dissolve components into Lacquer that then adhere to the surface.



With flat profiling of the lever and spout combined with sleek lines and stylish good looks, the new ION tapware collection from Elementi is a superior product in both looks and performance.