

TYPICAL DETAILS

CONTENTS

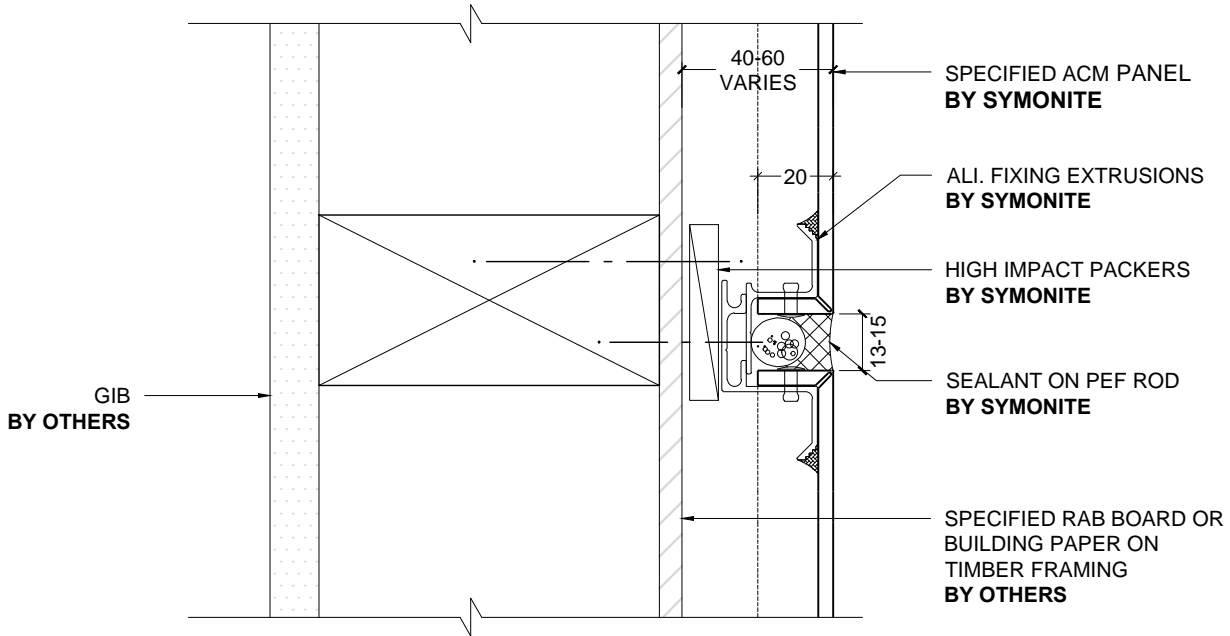
- 1.0 TYPICAL VERTICAL JOINTS
- 2.0 EXT. CORNER / TYPICAL HORIZONTAL JOINT
- 3.0 LIGHT COMMERCIAL HEAD & SILL DETAIL
- 3.1 LIGHT COMMERCIAL OPEN HEAD & JAMB DETAIL
- 3.2 RESIDENTIAL HEAD & SILL DETAIL
- 3.3 RESIDENTIAL JAMB DETAIL
- 3.4 COMMERCIAL HEAD & SILL DETAIL
- 3.5 COMMERCIAL JAMB DETAIL
- 4.0 FASCIA DETAIL - SOFFIT BY OTHERS
- 4.1 PARAPET & SOFFIT DETAIL
- 4.2 SOFFIT DRIP EDGE DETAILS
- 4.3 PARAPET WITH MINIMAL UPSTAND
- 5.0 BASE DETAIL
- 5.1 BASE DETAIL
- 5.2 TYPICAL EYEBROW SILL DETAIL
- 5.3 TYPICAL UPSTAND DETAIL
- 6.0 TYPICAL INTERNAL CORNER
- 6.1 FIBRE CEMENT INTERNAL CORNER
- 6.2 VERTICAL PROFILED METAL INTERNAL CORNER
- 6.3 HORIZONTAL PROFILED METAL INTERNAL CORNER
- 7.0 TYPICAL WALL / SOFFIT BY OTHERS
- 7.1 TYPICAL WALL / RAKING SOFFIT JUNCTION
- 7.2 WALL / SOFFIT JUNCTION & DOWNPIPE PENETRATION
- 8.0 PRECAST CONCRETE WALL JUNCTION
- 8.1 PRECAST CONCRETE WALL JUNCTION
- 9.0 VERTICAL PROFILED METAL JUNCTION

Framing note: Timber framing by others is to be at 600 centers max for both studs & nogs. This may be required at closer centers subject to engineering requirements.

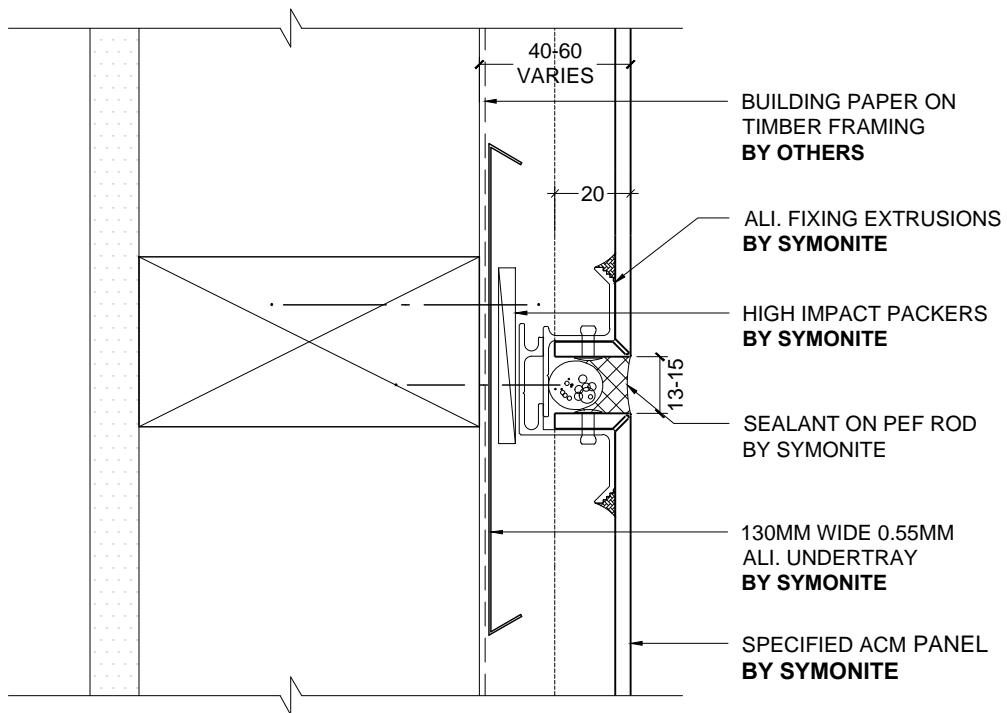
Rigid air barrier note: As per Symonite Branz Appraisal #528 section 12.2 "A building with exposure to wind on any part of its facade above 1.55 kPa ULS must use a RAB as backing for the cavity". It is the building designers responsibility to determine wind loading on the building and incorporate RAB into the detailing as required to the specifications of the RAB manufacturer.

Cavity Battens are not required with the Symonite cavity system as a cavity is formed between the fixing angles and structure with high impact plastic packers ("H"packers). Nominal cavity depth is 40mm from structure to outer face of panel. In some situations (when interfacing with residential joinery profiles) this cavity is may be deeper. Any instance where cavity is pushed beyond 60mm may require the installation of 20mm cavity battens by others.

ALUMINIUM COMPOSITE CLADDING SYSTEM



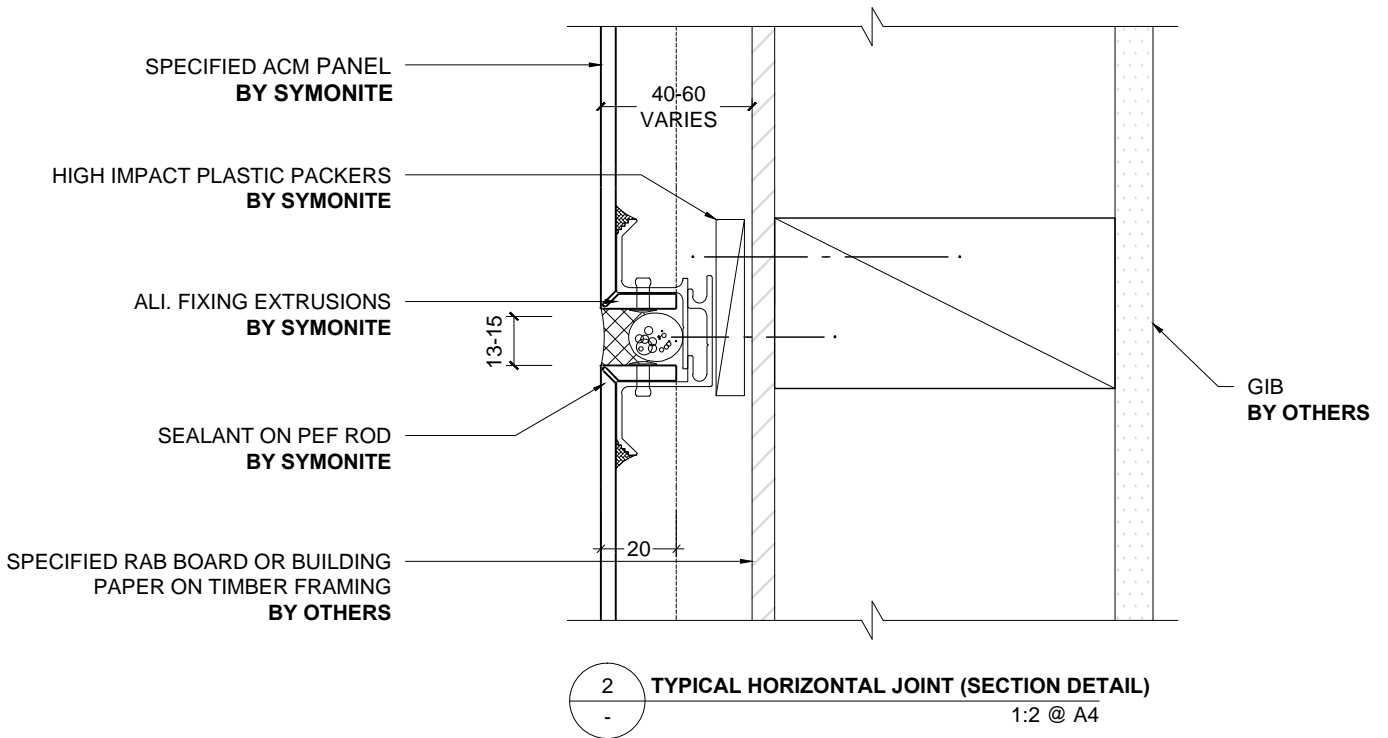
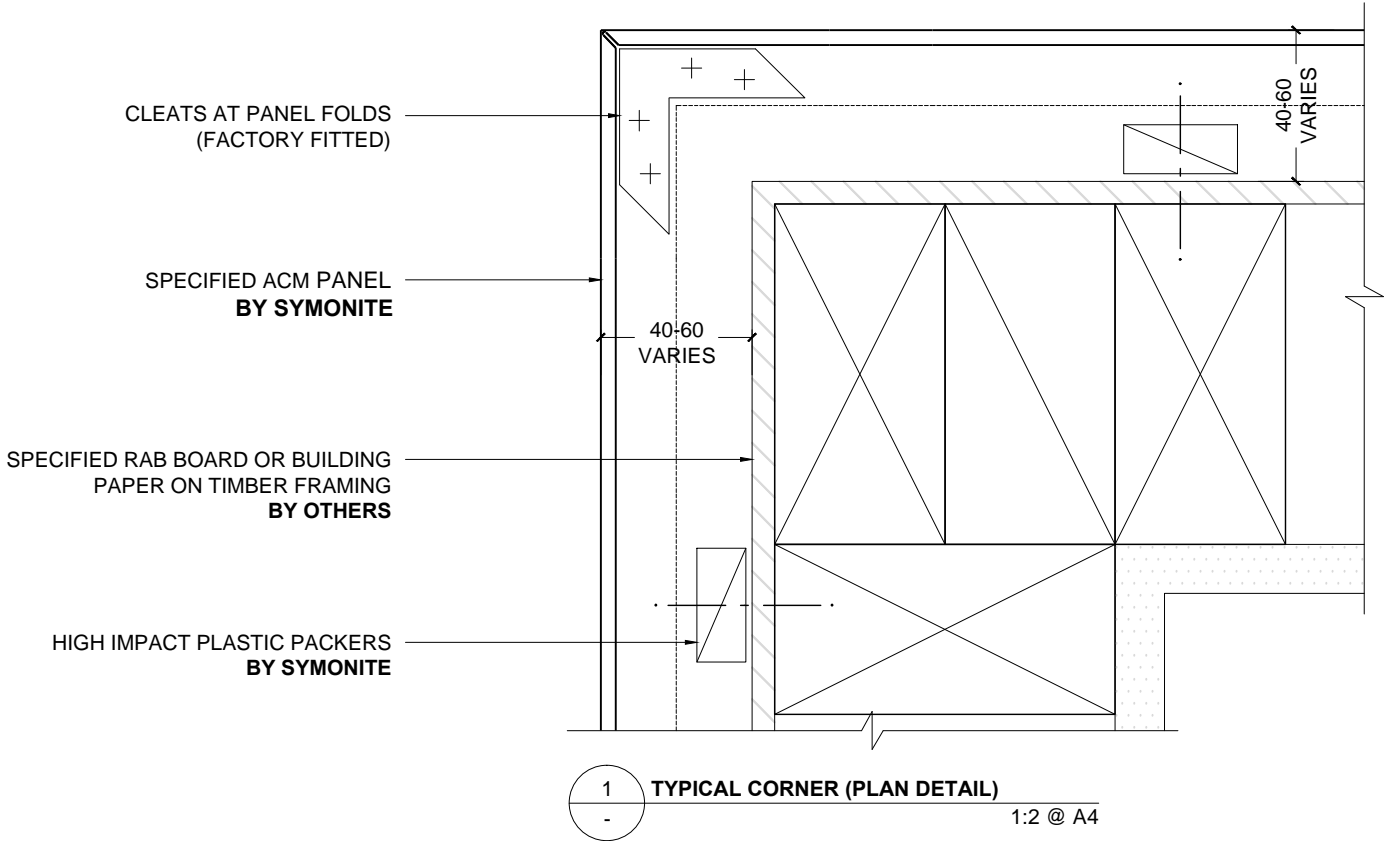
1 TYPICAL VERTICAL JOINT
- 1:2 @ A4



2 TYPICAL VERTICAL JOINT ON BUILDING PAPER
- 1:2 @ A4

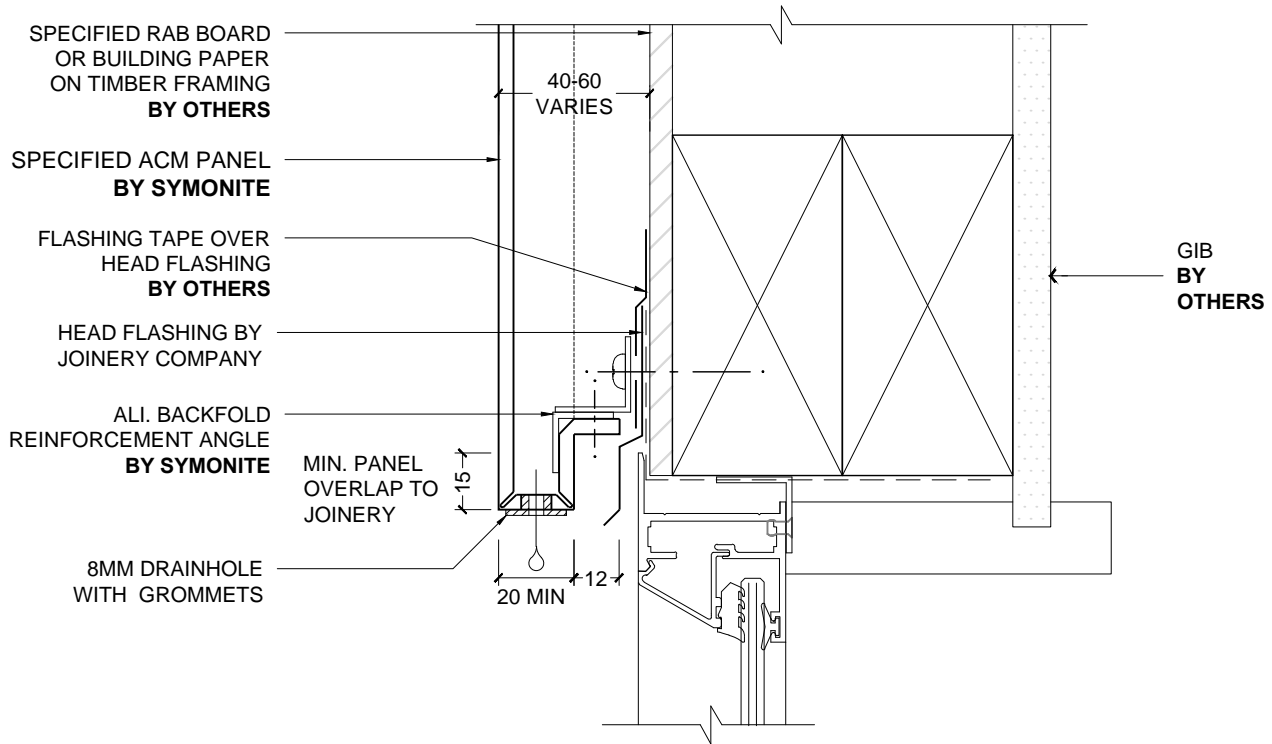
NOTE: TIMBER FRAMING BY OTHERS TO BE AT 600 CTRS MAX FOR BOTH STUDS & NOGS. MAY BE REQUIRED AT CLOSER CENTERS SUBJECT TO ENGINEERING REQUIREMENTS

ALUMINIUM COMPOSITE CLADDING SYSTEM

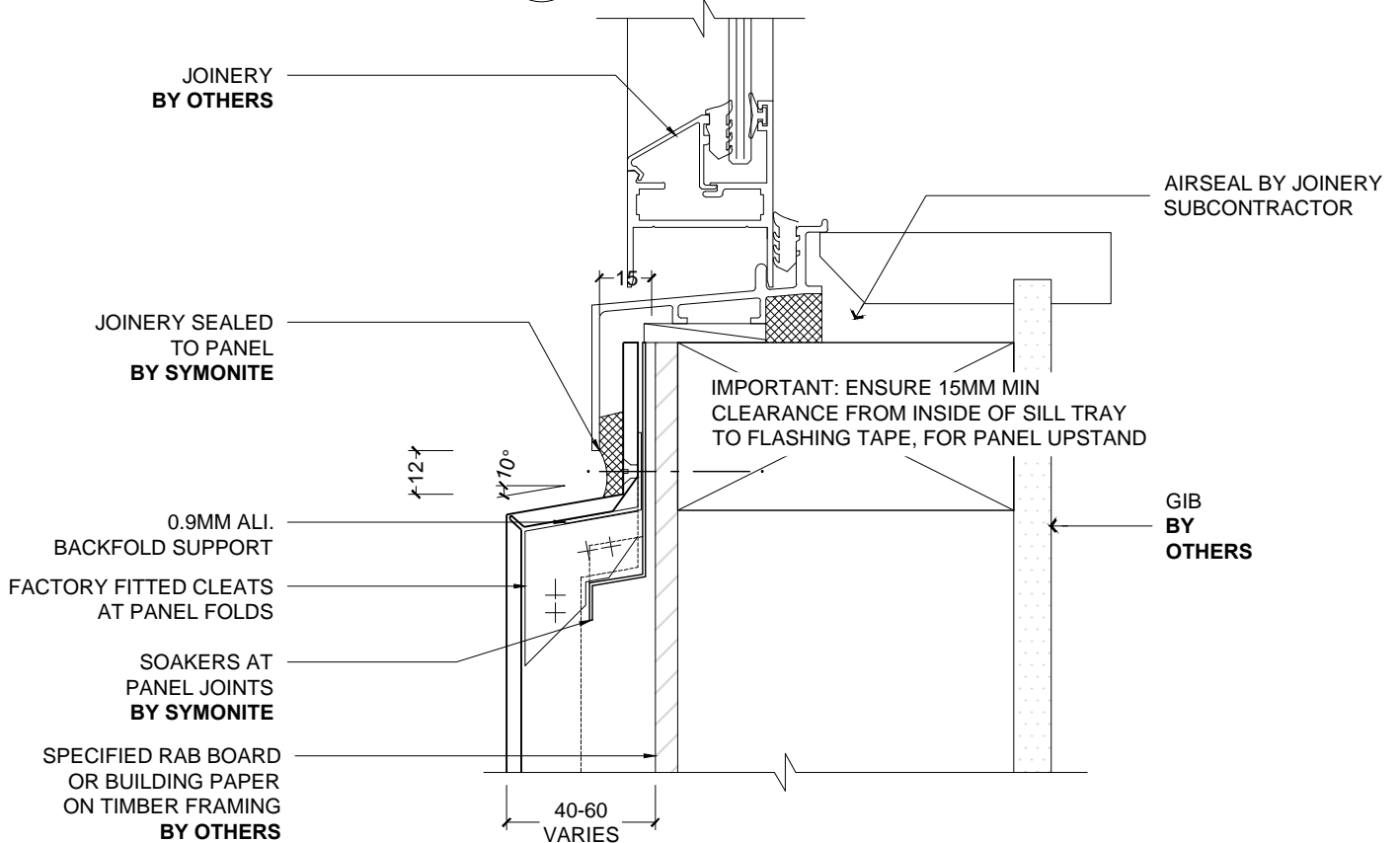


NOTE: TIMBER FRAMING BY OTHERS TO BE AT 600 CTRS MAX FOR BOTH STUDS & NOGS. MAY BE REQUIRED AT CLOSER CENTERS SUBJECT TO ENGINEERING REQUIREMENTS

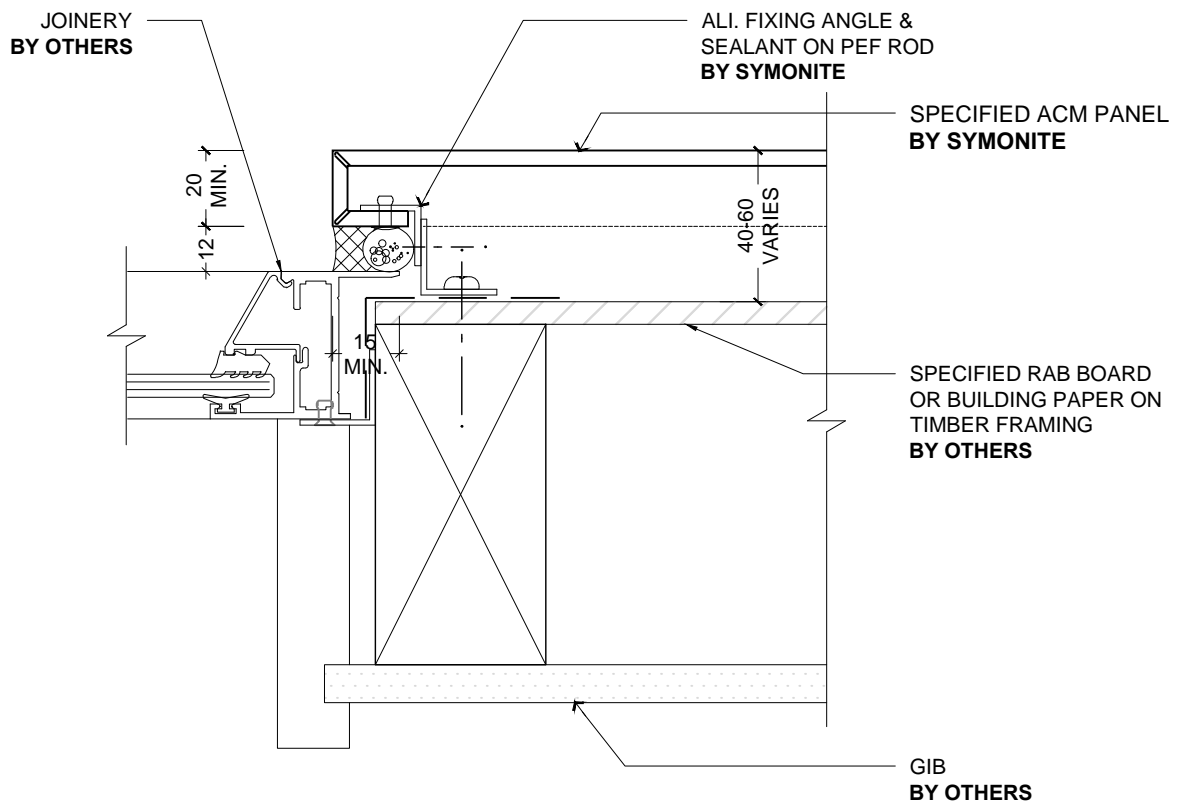
ALUMINIUM COMPOSITE CLADDING SYSTEM



1 HEAD DETAIL (LIGHT COMMERCIAL)
1:2 @ A4

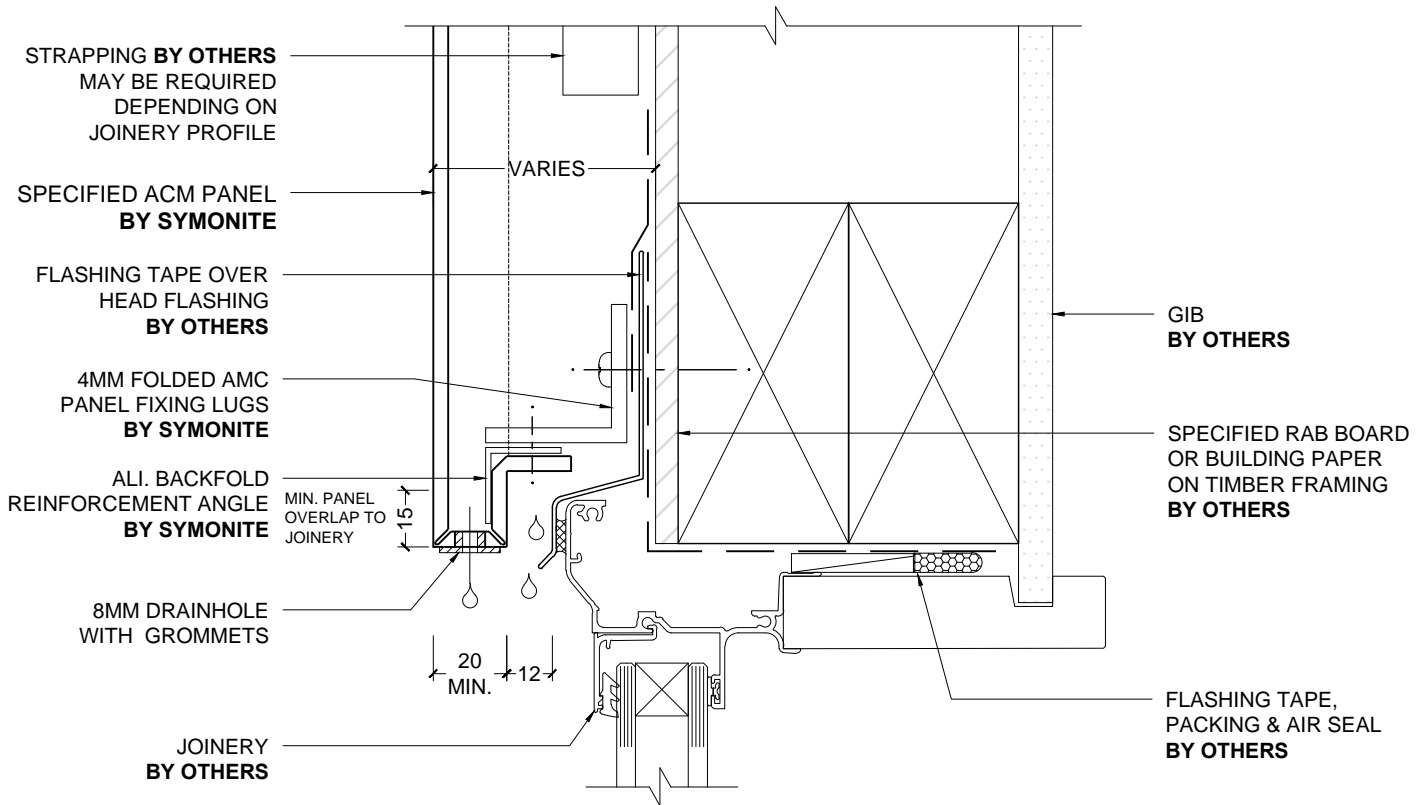


2 SILL DETAIL (LIGHT COMMERCIAL)
1:2 @ A4

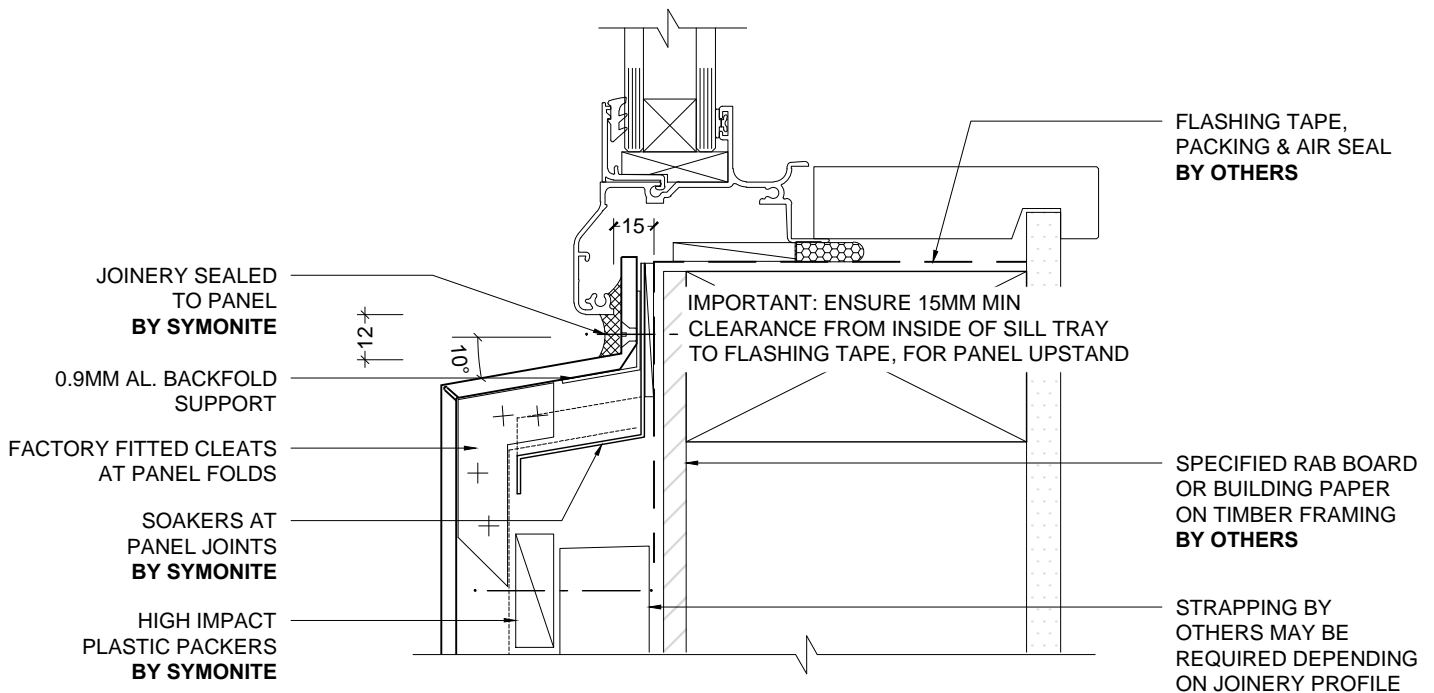


1 **JAMB DETAIL (LIGHT COMMERCIAL)**
 - 1:2 @ A4

ALUMINIUM COMPOSITE CLADDING SYSTEM

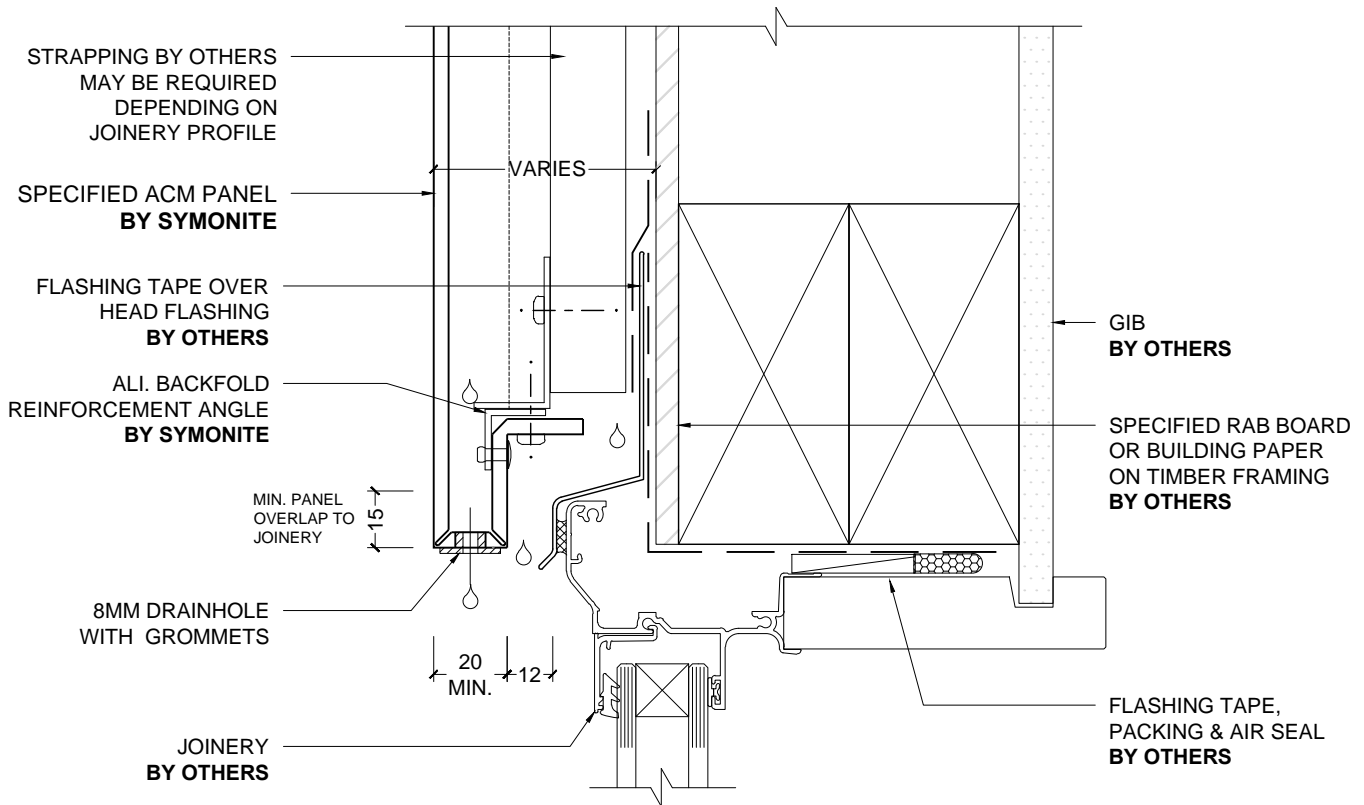


1 HEAD DETAIL (RESIDENTIAL JOINERY)
1:2 @ A4

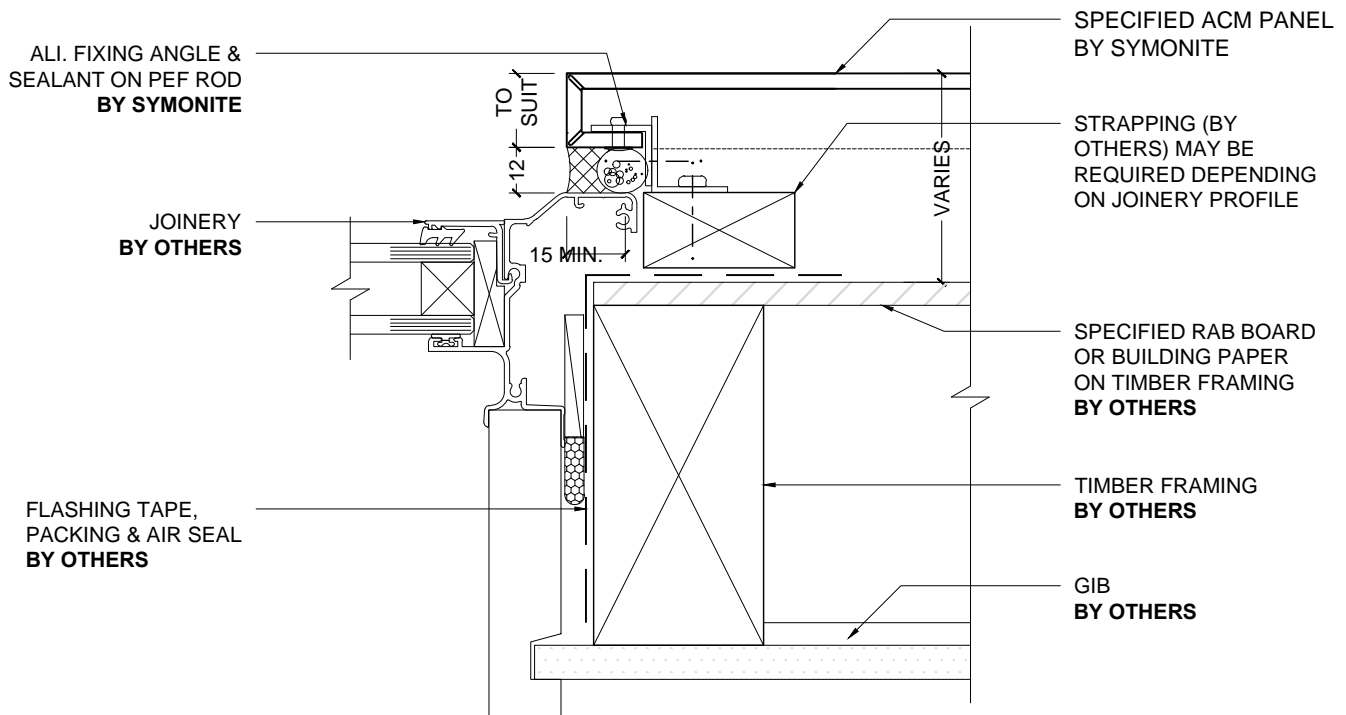


2 SILL DETAIL (RESIDENTIAL JOINERY)
1:2 @ A4

ALUMINIUM COMPOSITE CLADDING SYSTEM

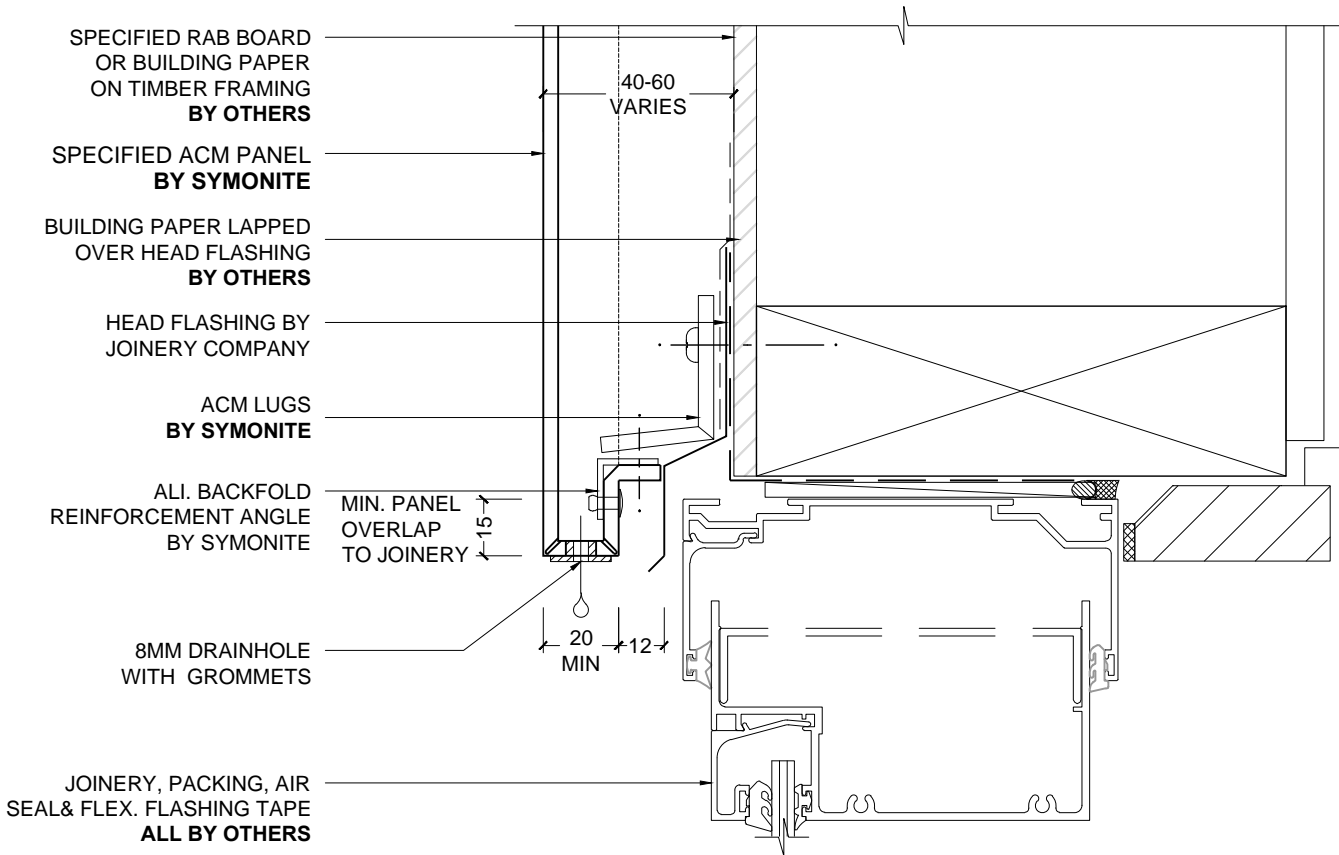


1 HEAD DETAIL OPTION 2 (RESIDENTIAL JOINERY)
1:2 @ A4

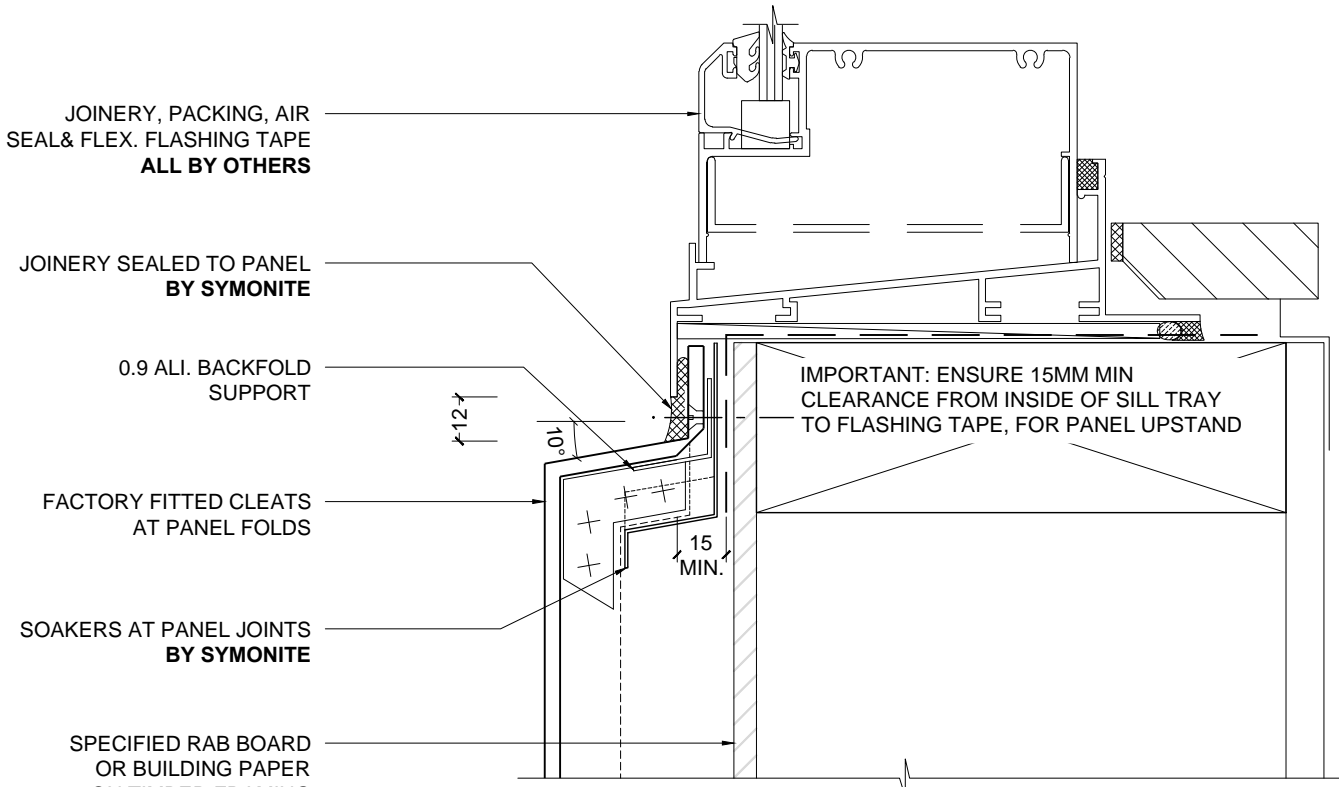


2 JAMB DETAIL (RESIDENTIAL JOINERY)
1:2 @ A4

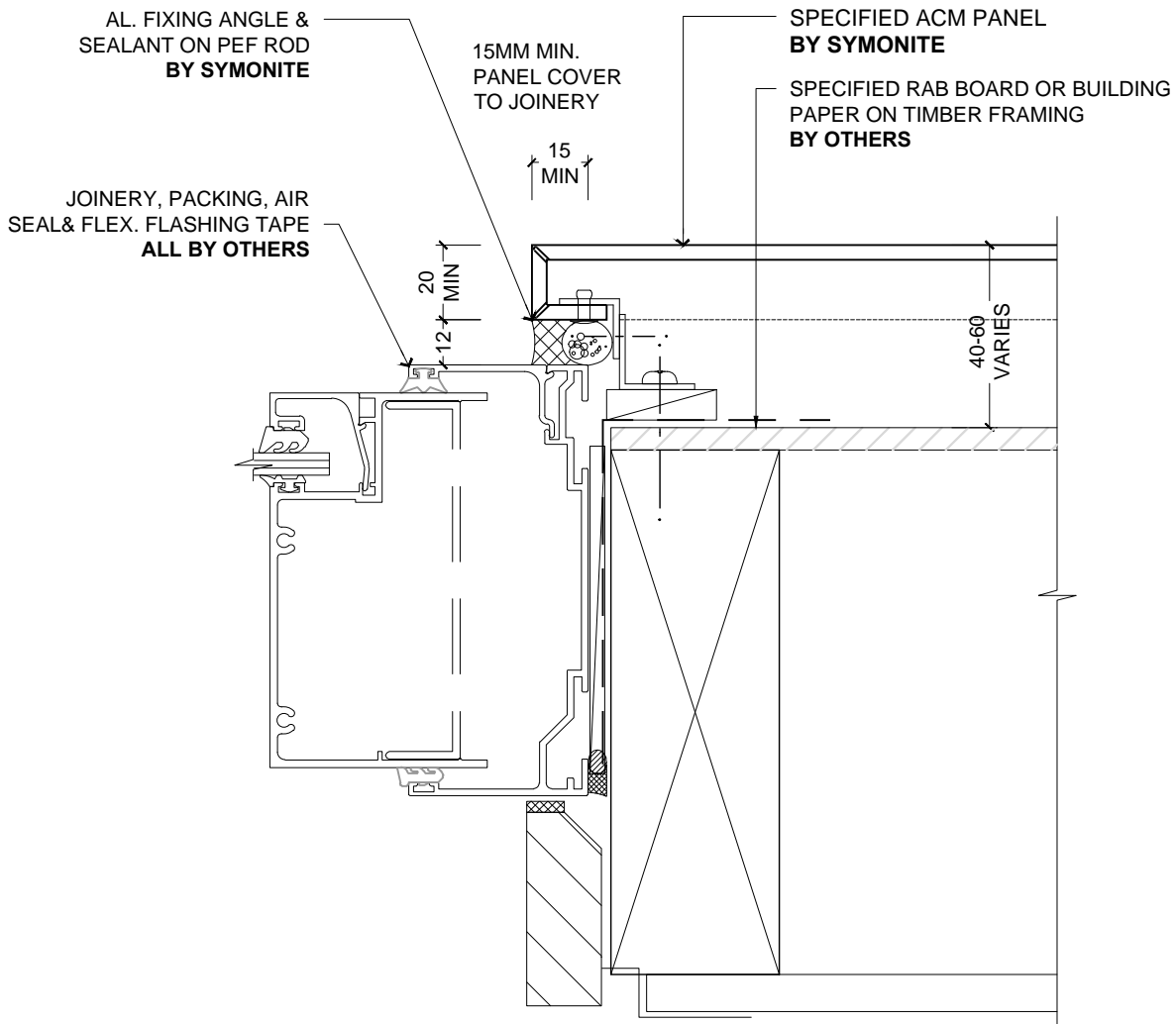
ALUMINIUM COMPOSITE CLADDING SYSTEM



1 **TYPICAL COMMERCIAL HEAD DETAIL**
- 1:2 @ A4

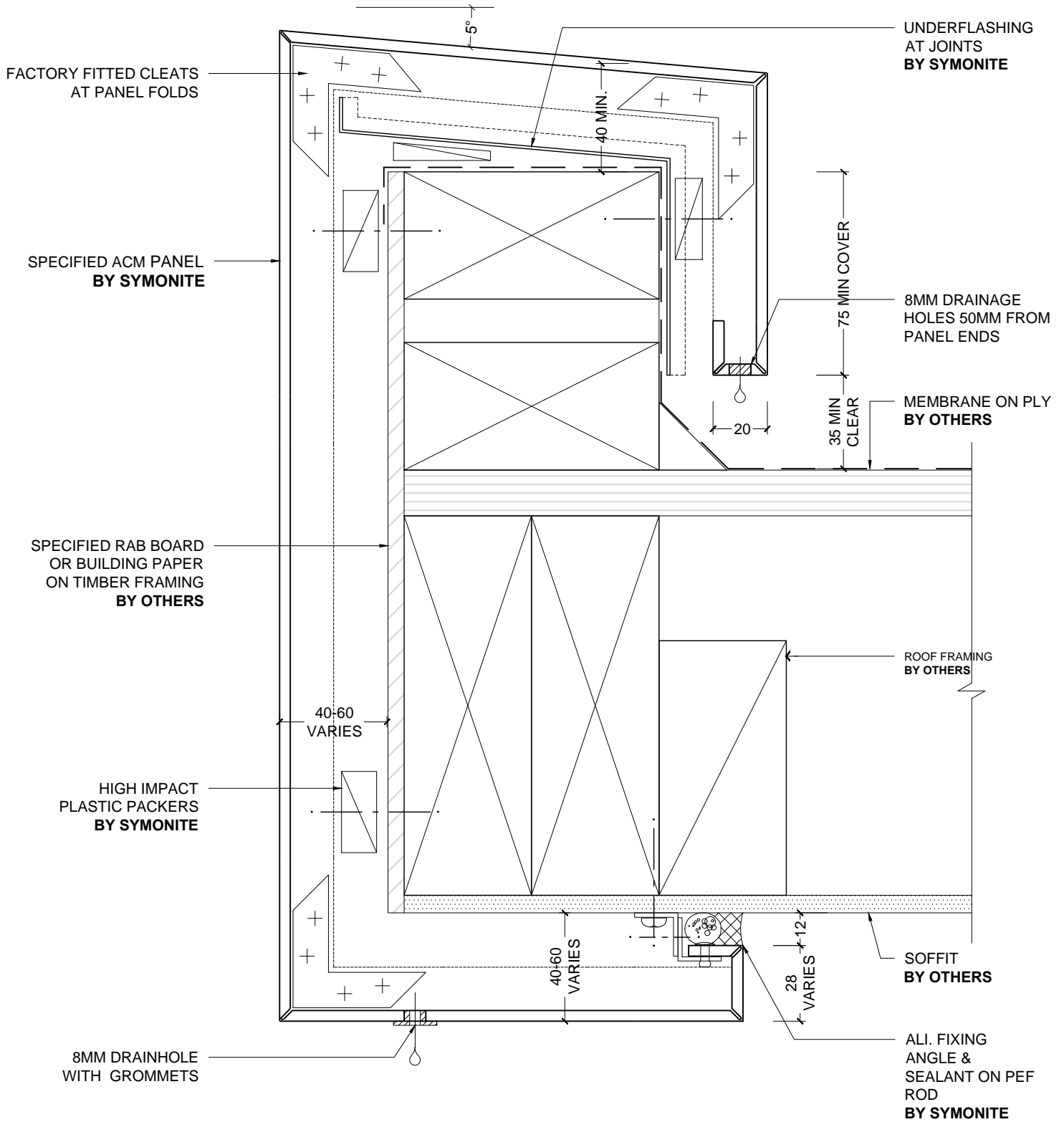


2 **TYPICAL COMMERCIAL SILLDETAIL**
- 1:2 @ A4



1 TYPICAL COMMERCIAL JAMB DETAIL
- 1:2 @ A4

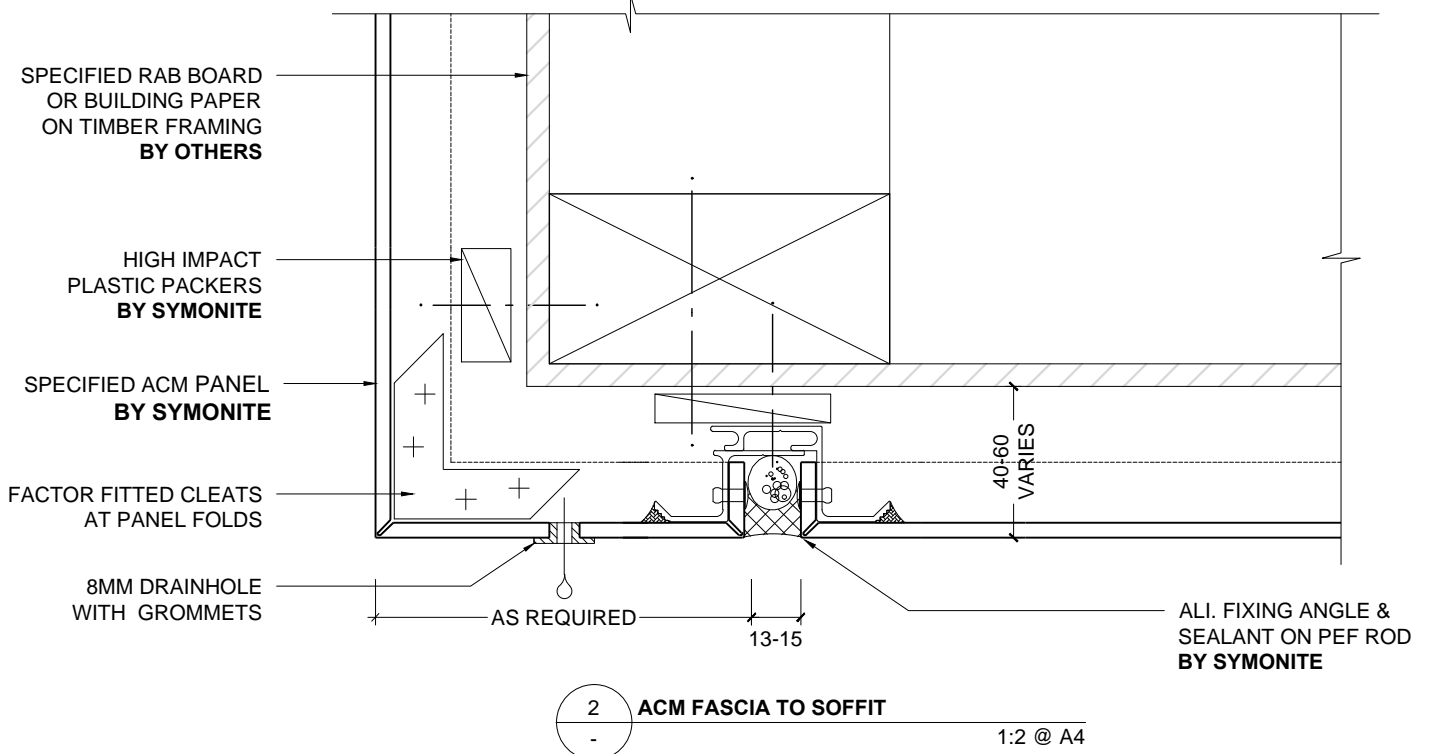
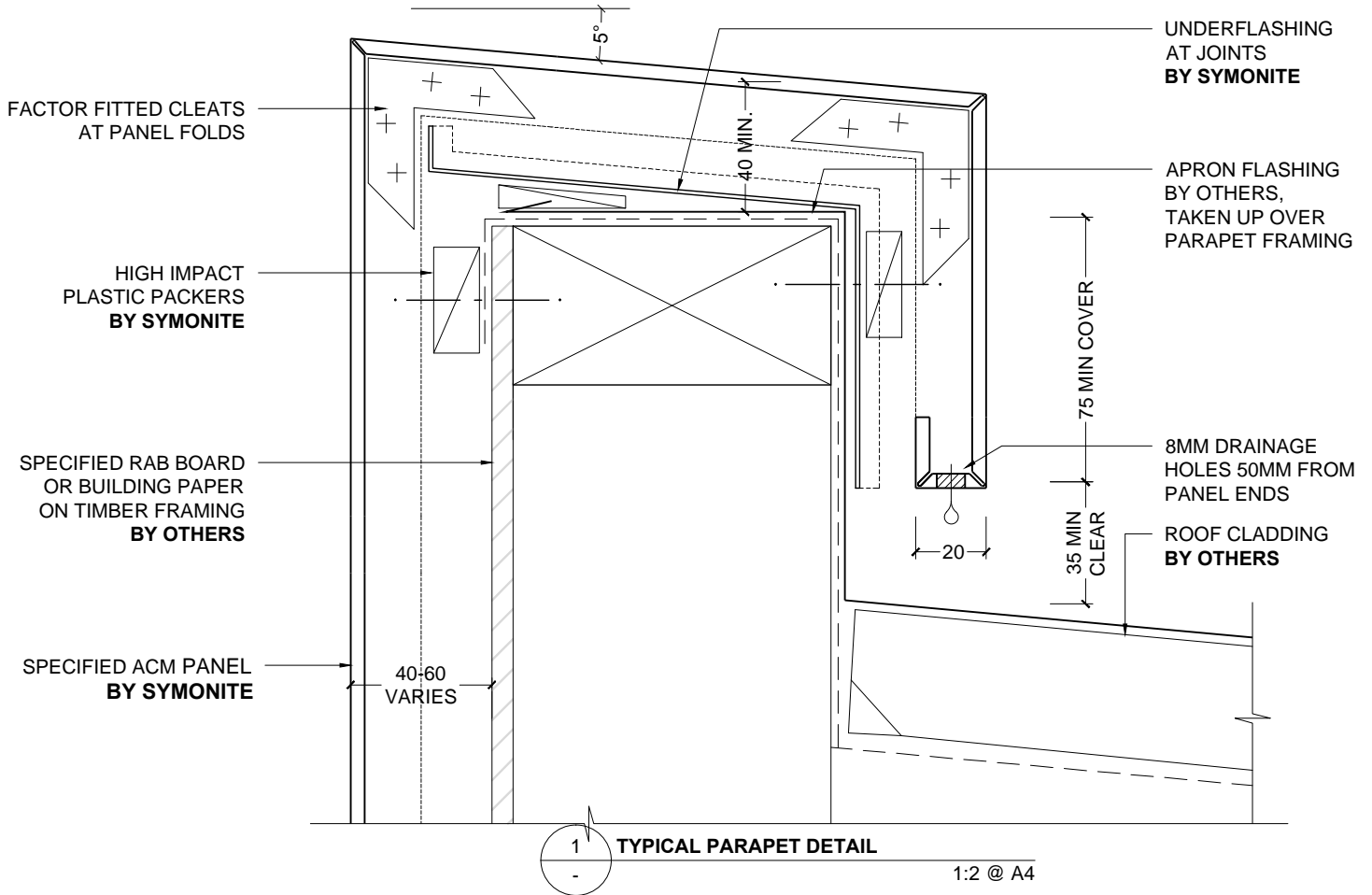
ALUMINIUM COMPOSITE CLADDING SYSTEM



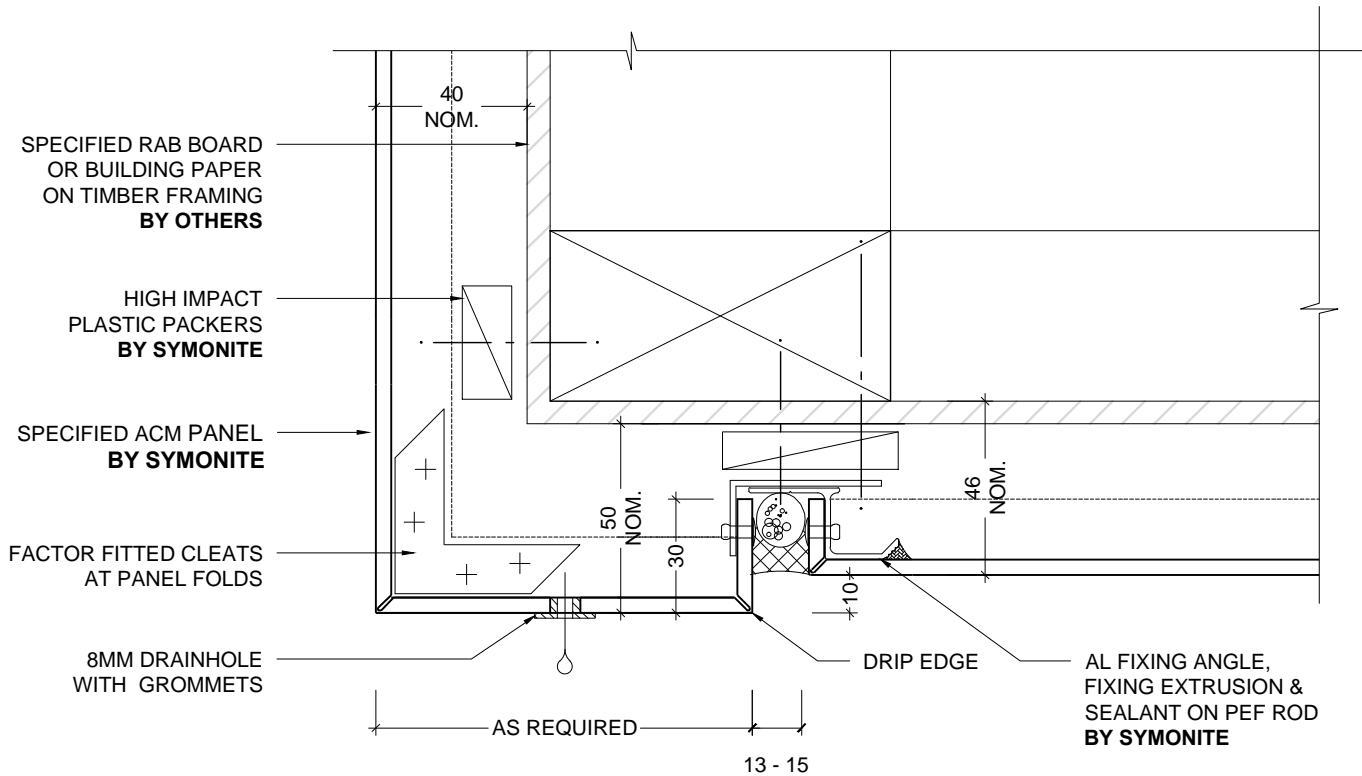
1 ACM FASCIA - SOFFIT BY OTHERS

1:2 @ A4

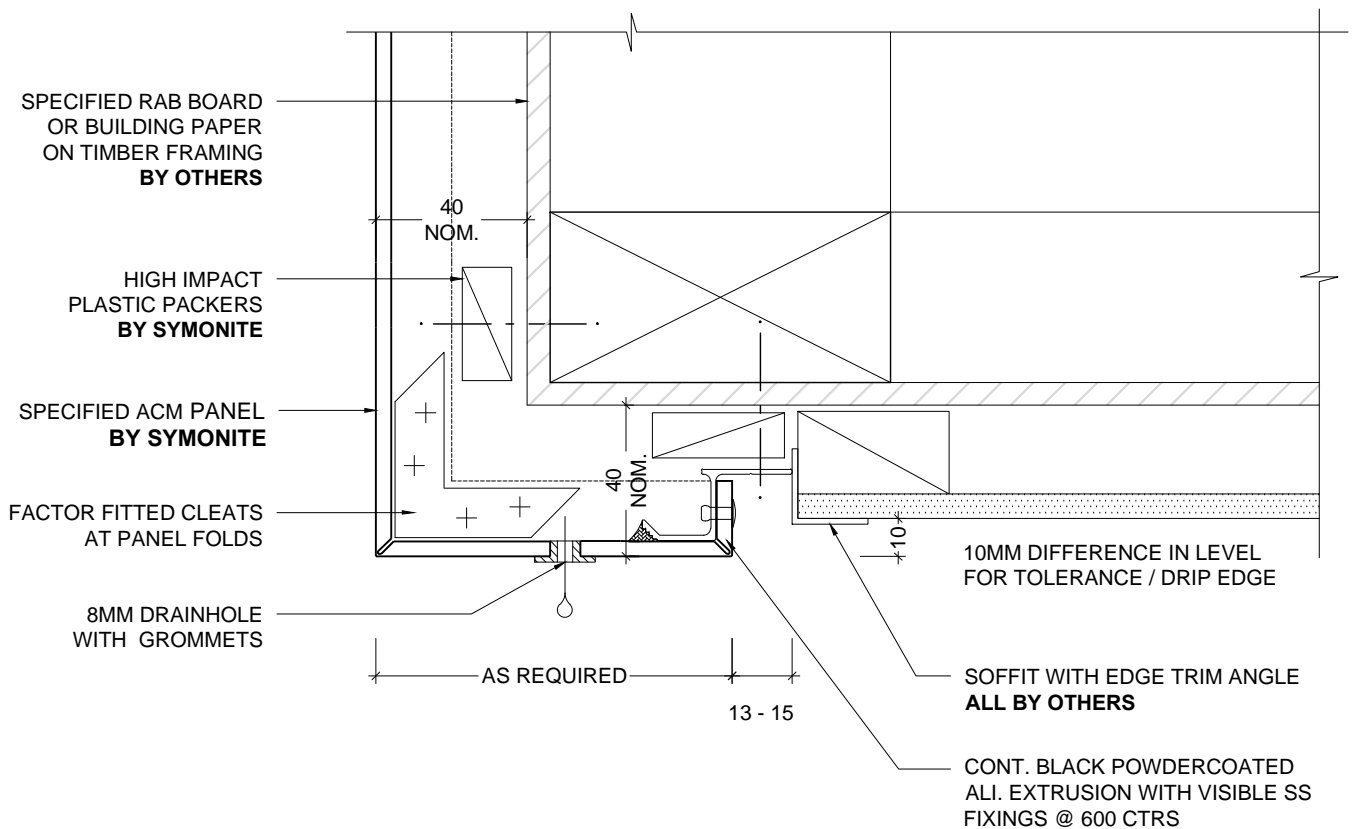
ALUMINIUM COMPOSITE CLADDING SYSTEM



ALUMINIUM COMPOSITE CLADDING SYSTEM

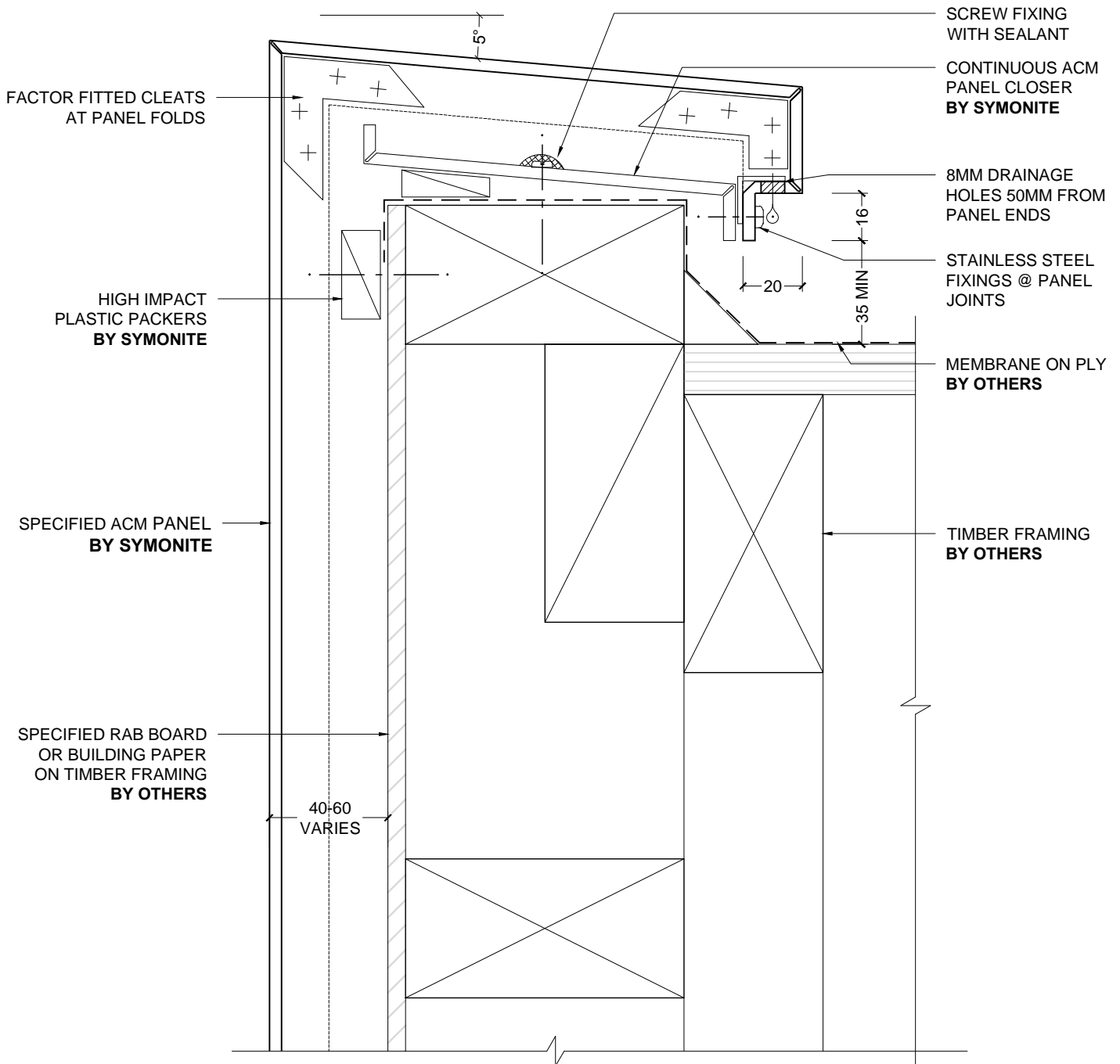


1 DRIP EDGE DETAIL
1:2 @ A4



2 OPEN FLUSH SOFFIT JOINT
1:2 @ A4

ALUMINIUM COMPOSITE CLADDING SYSTEM



NOTE:

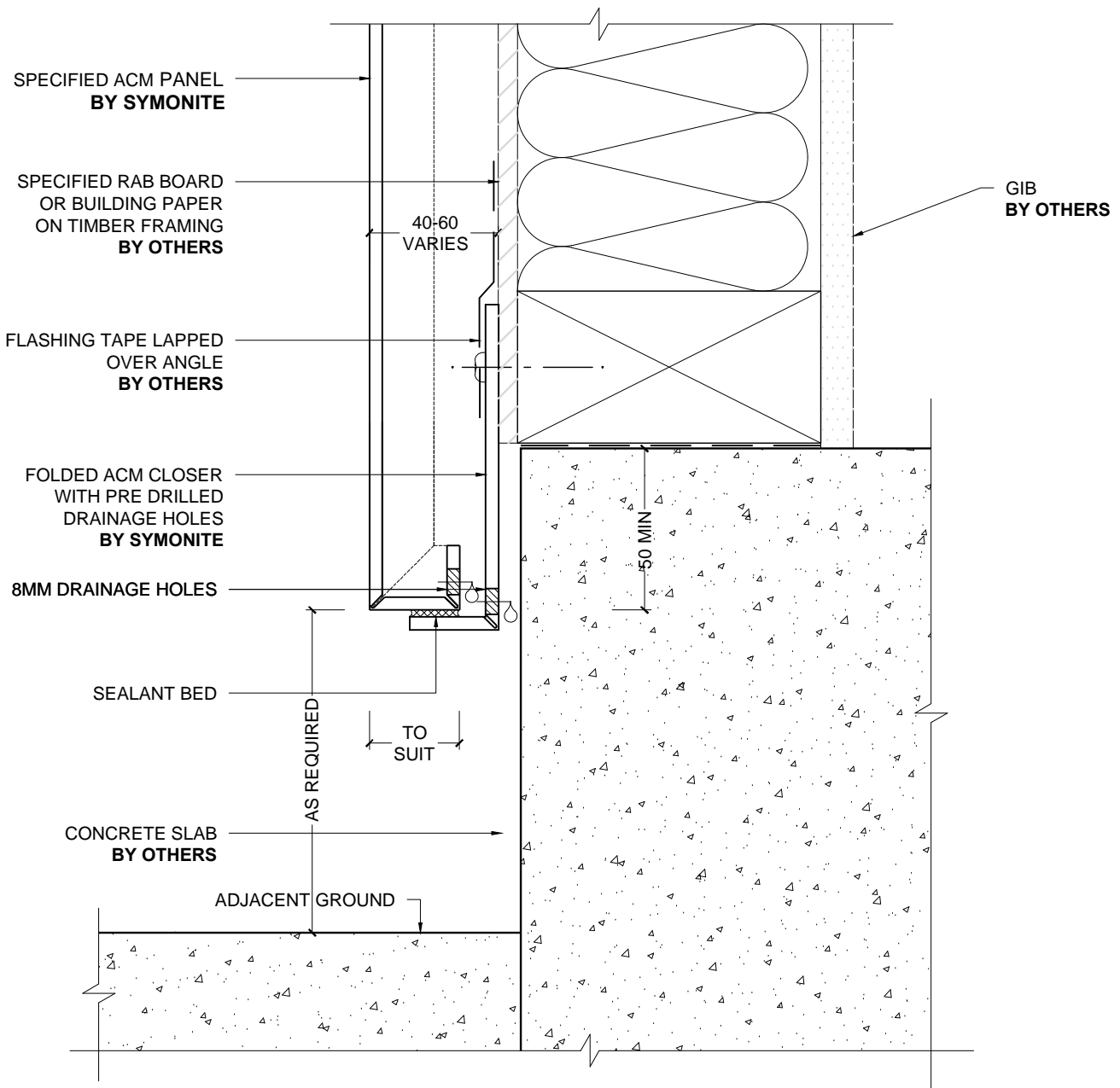
- 1) FOR USE WITH LOW ROOF UPSTAND LAP ONLY
- 2) THIS DETAIL DOES NOT MEET BUILDING CODE REQUIREMENTS BUT MAY BE OFFERED AS AN ACCEPTABLE SOLUTION
- 3) IT IS THE BUILDER / ARCHITECTS RESPONSIBILITY TO ENSURE THAT THIS DETAIL IS SATISFACTORY AND SPECIFIC INSTRUCTION IS REQUIRED FOR THIS DETAIL TO BE EMPLOYED



1 PARAPET WITH MINIMAL UPSTAND

1:2 @ A4

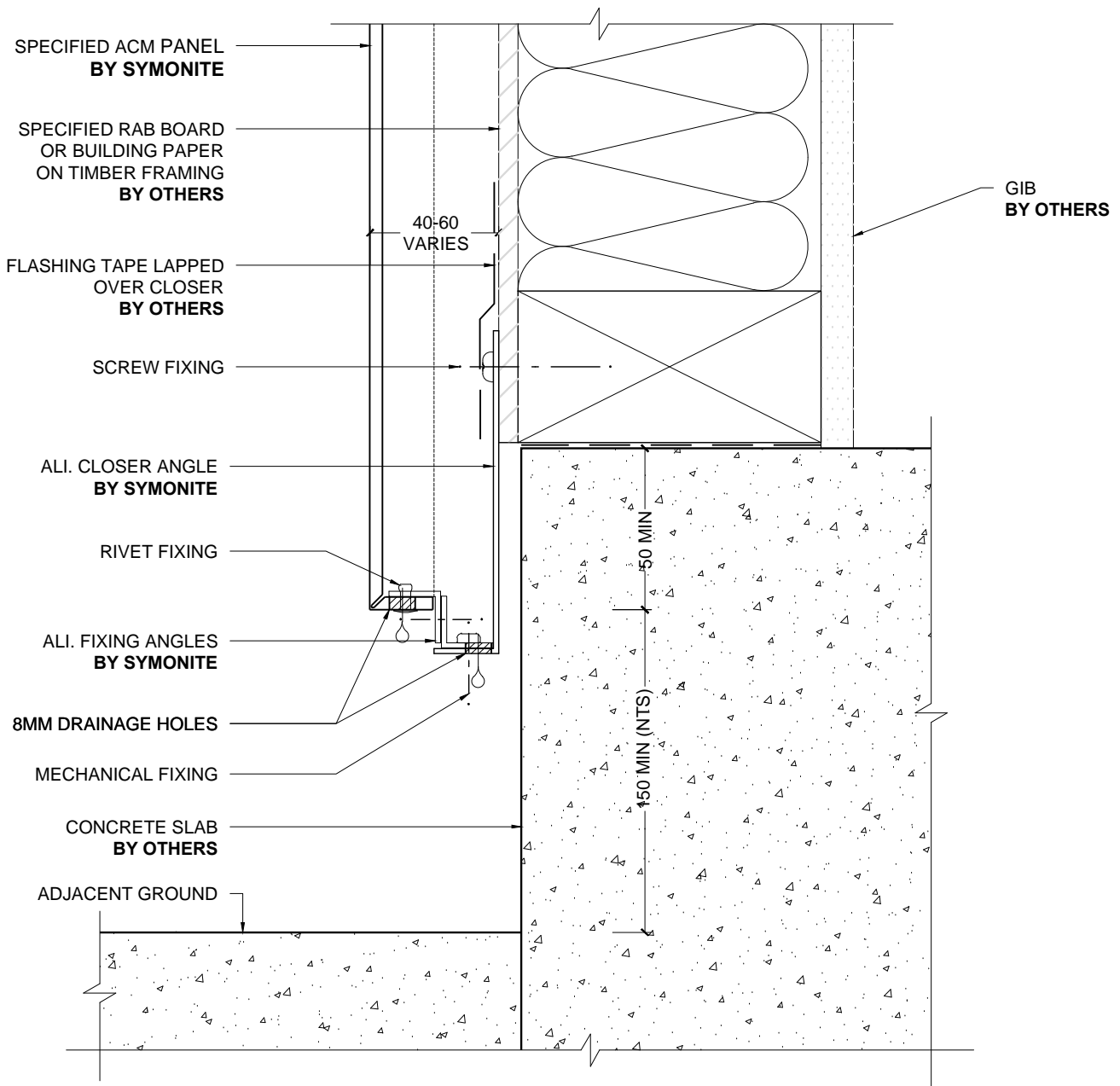
ALUMINIUM COMPOSITE CLADDING SYSTEM



1 BASE DETAIL

1:2 @ A4

ALUMINIUM COMPOSITE CLADDING SYSTEM

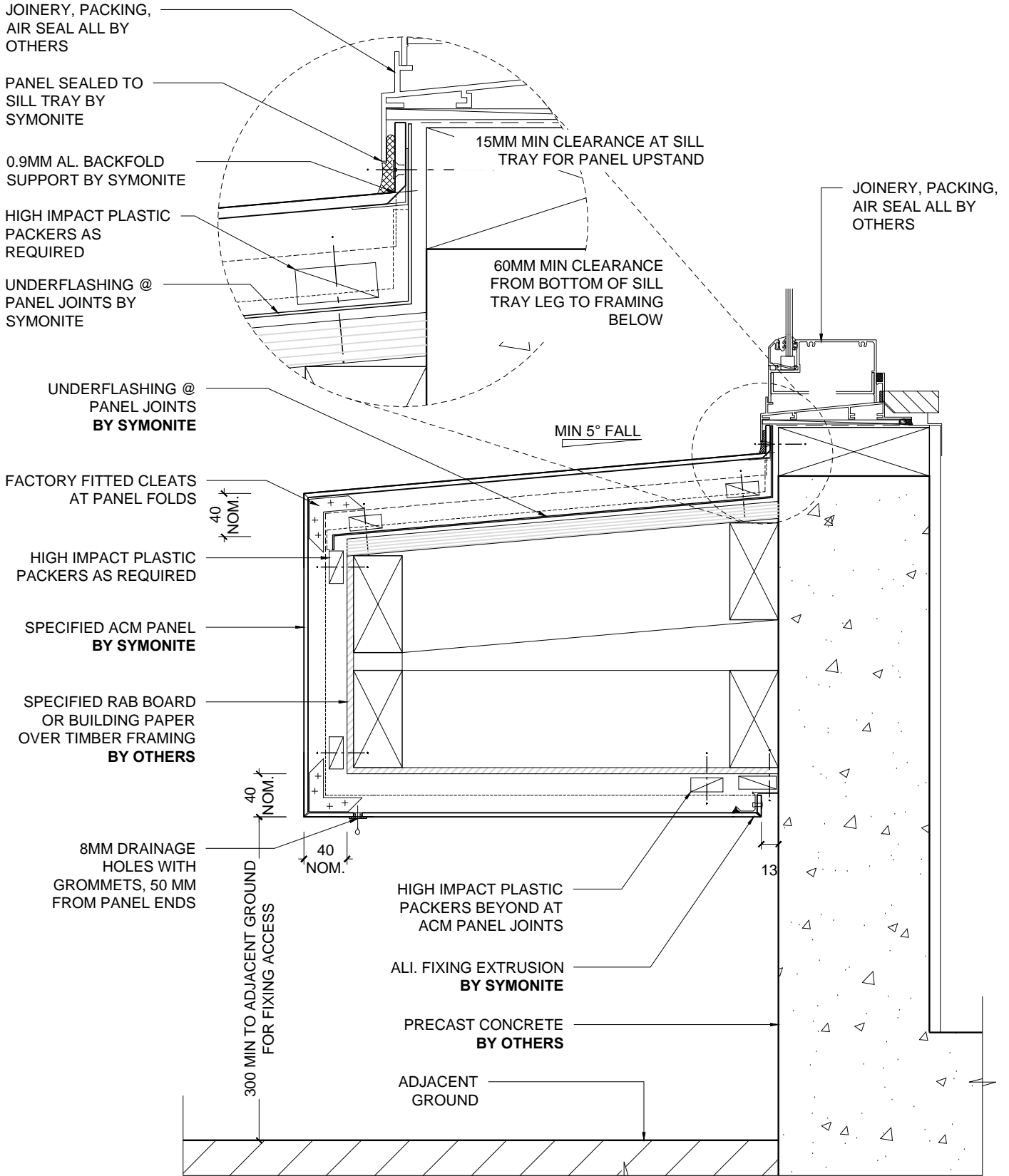


1 BASE DETAIL

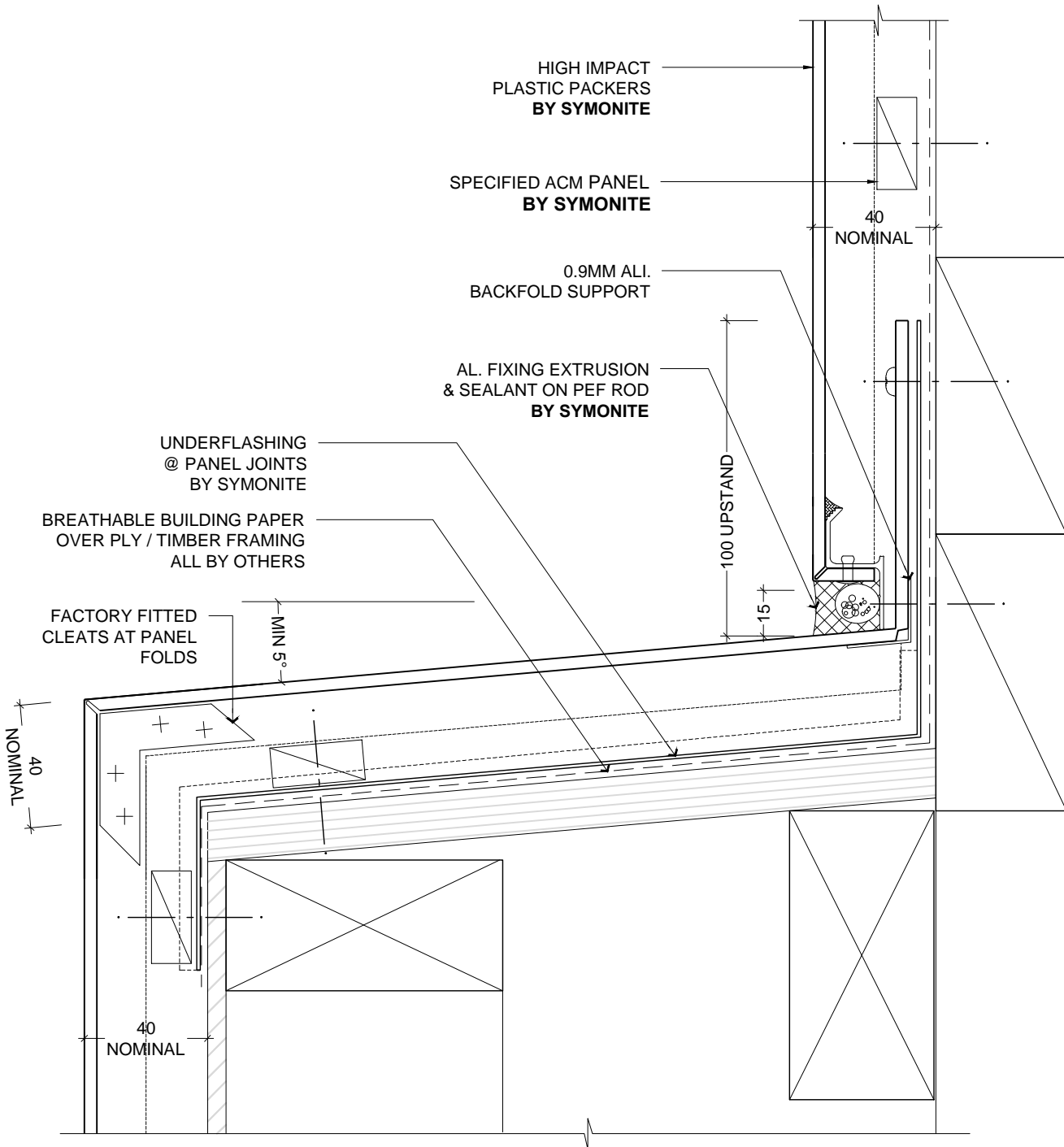
1:2 @ A4

ALUMINIUM COMPOSITE CLADDING SYSTEM

SYMONITE

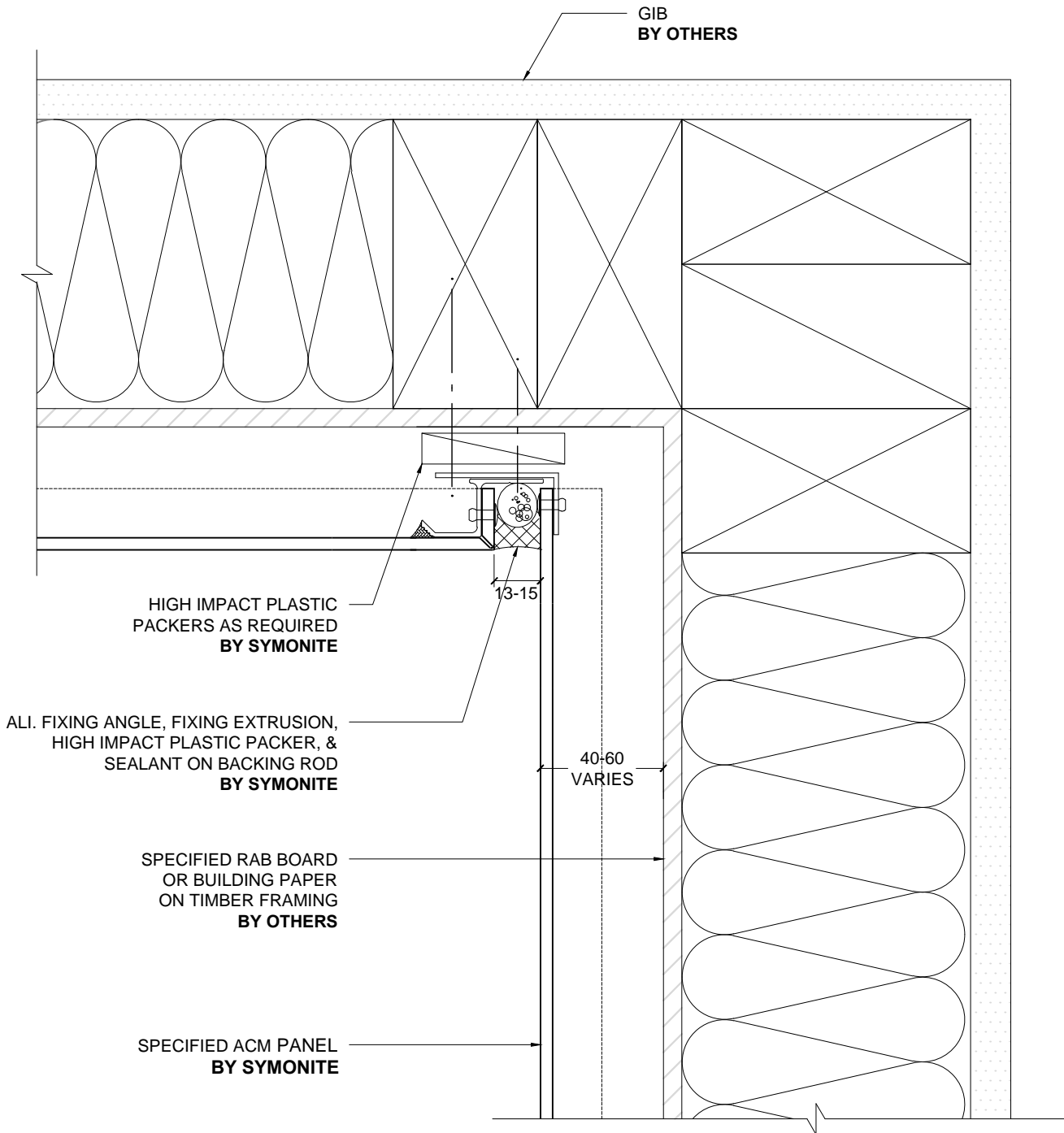


1
-
TYPICAL EYEBROW SILL DETAIL
1:5 @ A4



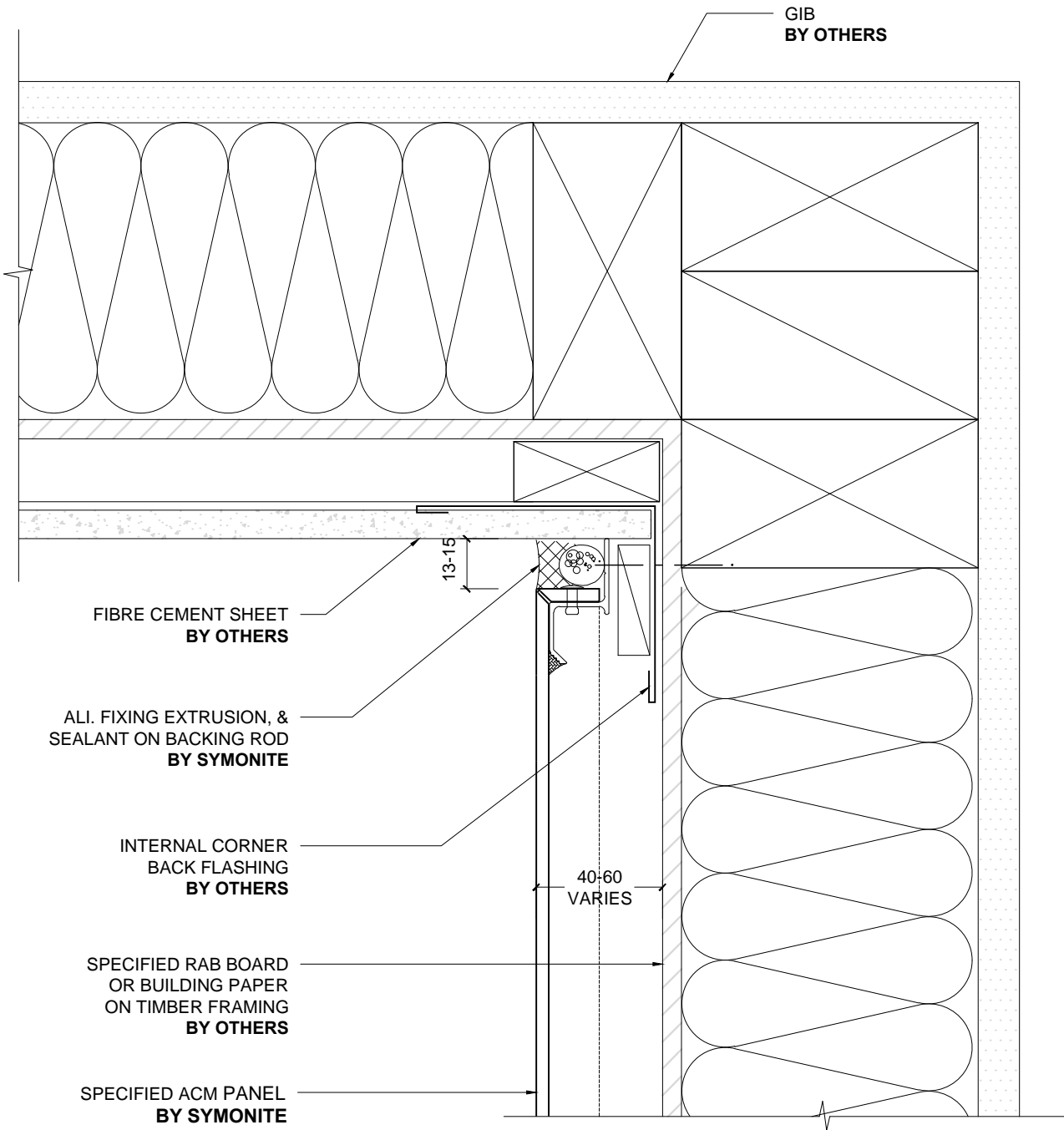
1 TYPICAL UPSTAND DETAIL
- 1:2 @ A4

ALUMINIUM COMPOSITE CLADDING SYSTEM



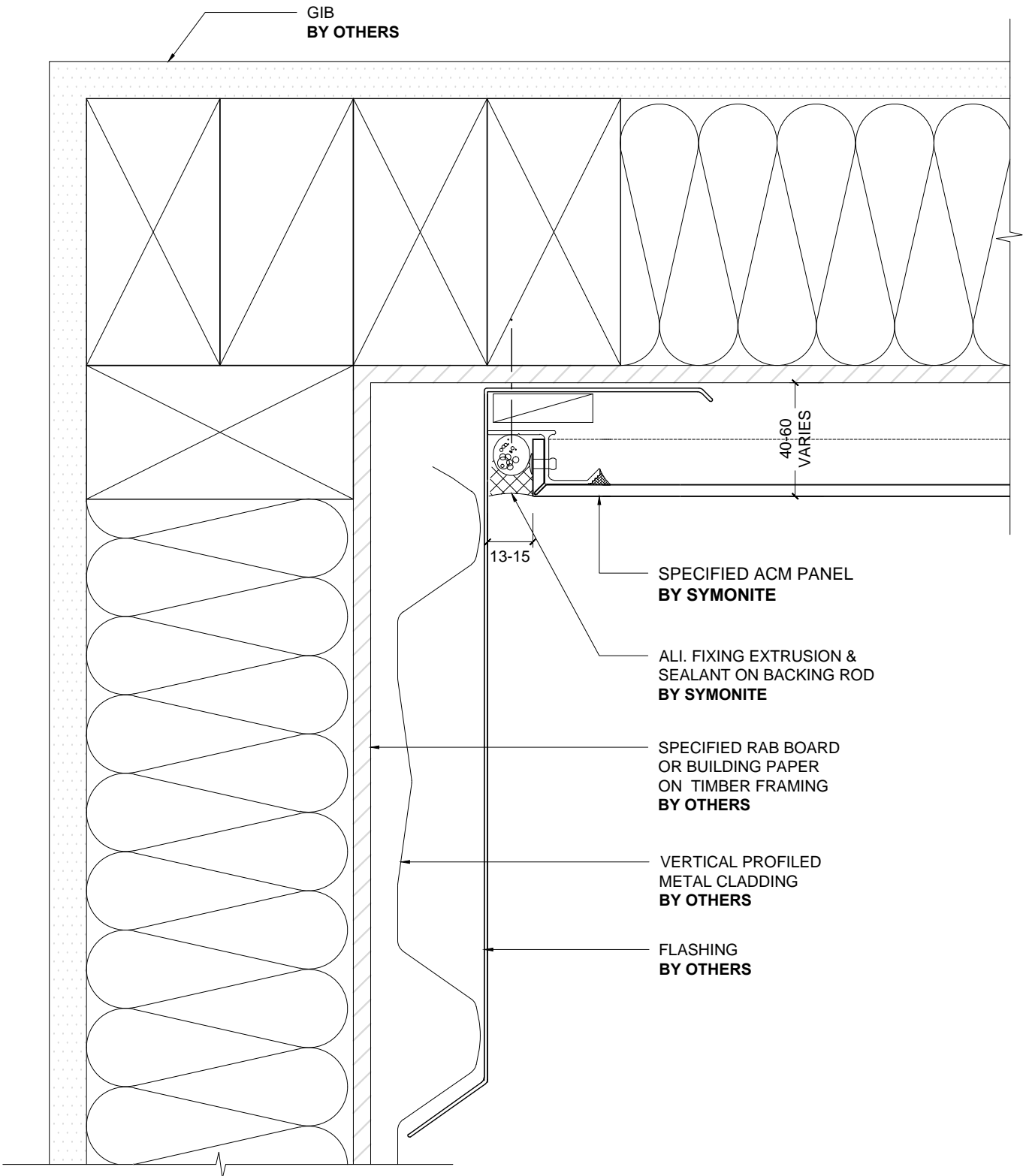
1 TYPICAL INTERNAL CORNER
- 1:2 @ A4

ALUMINIUM COMPOSITE CLADDING SYSTEM



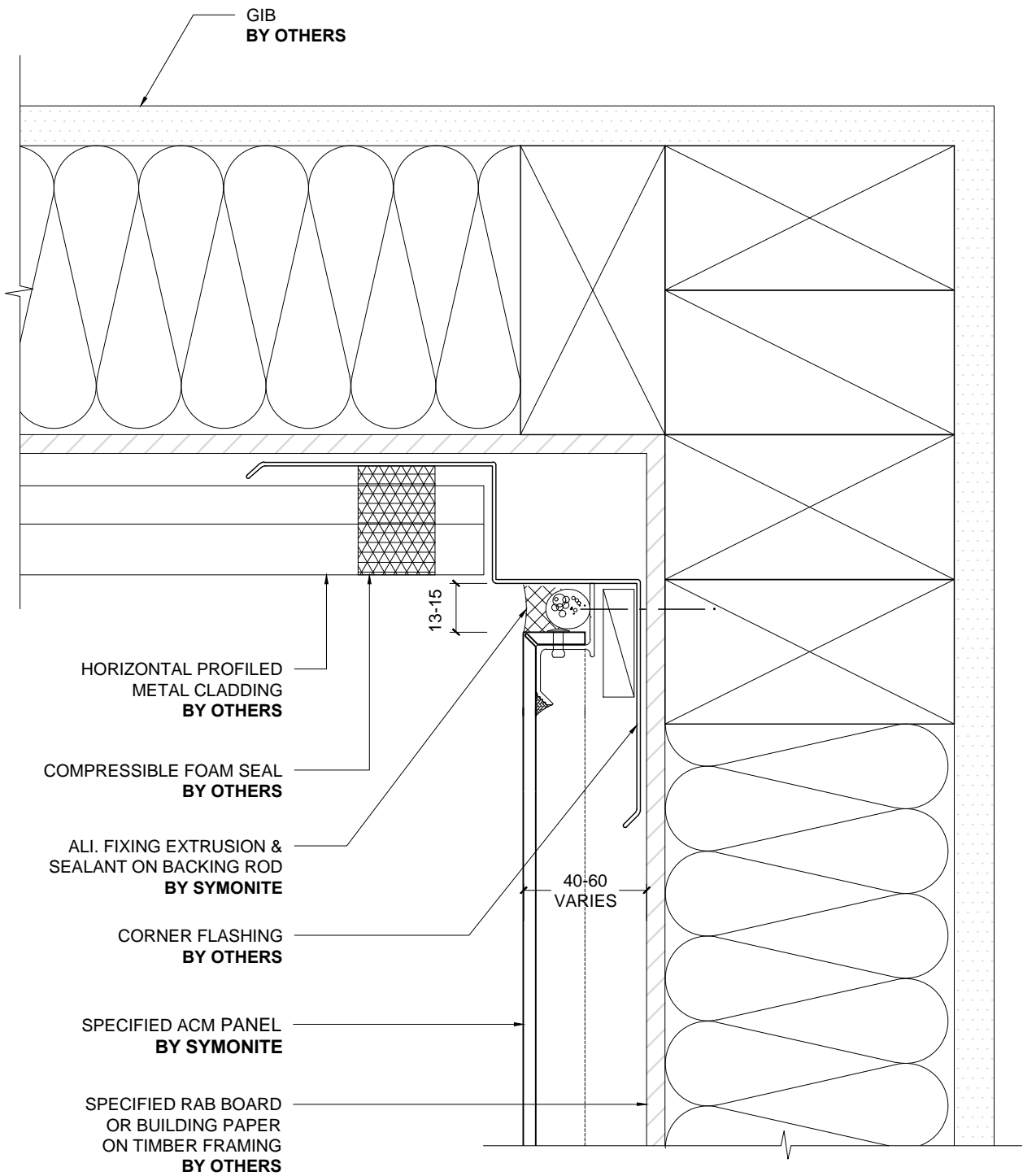
1 INT. CORNER FIBRE CEMENT JUNCTION
- 1:2 @ A4

ALUMINIUM COMPOSITE CLADDING SYSTEM



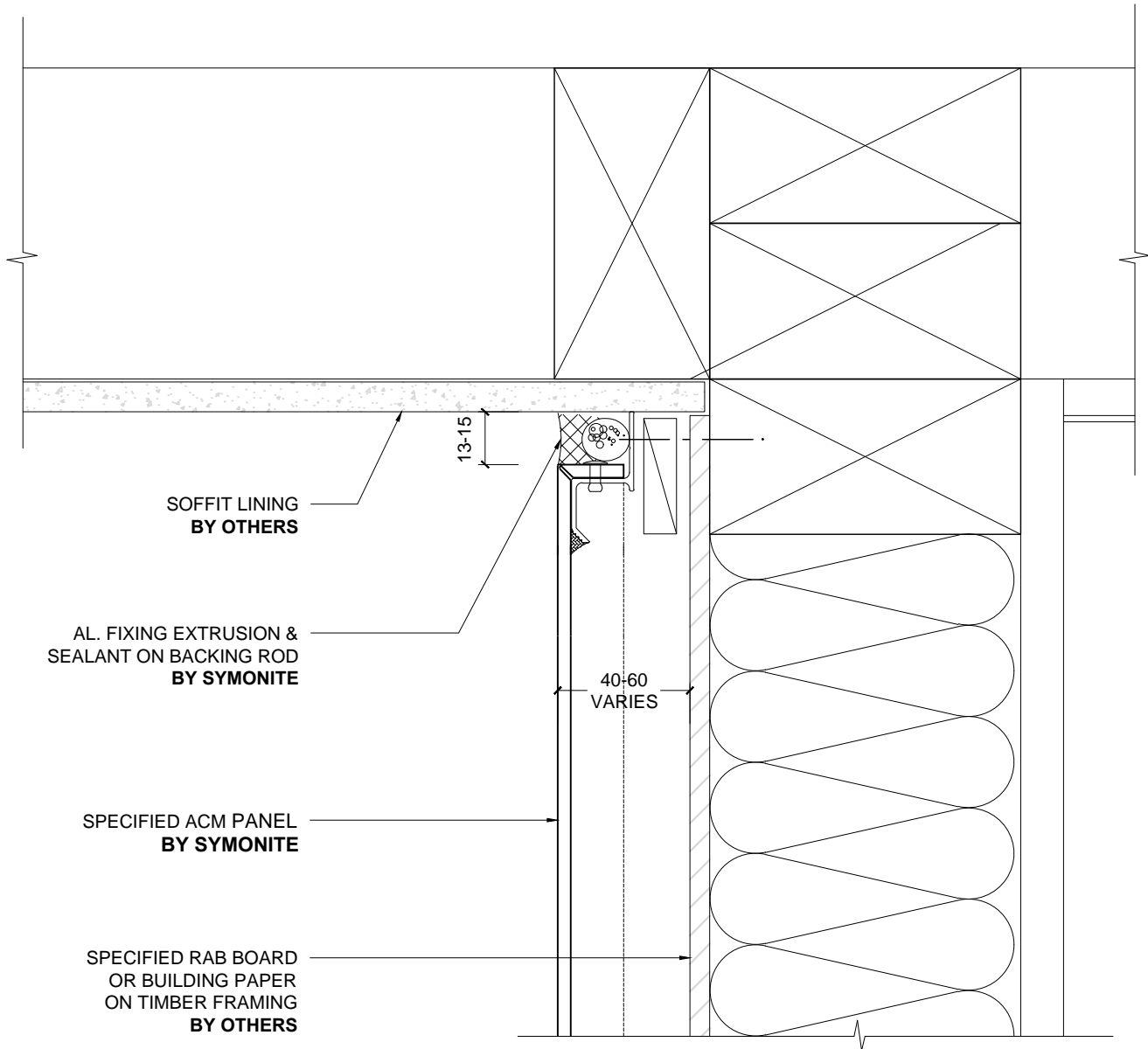
1 INTERNAL CORNER / VERTICAL PROFILED METAL JUNCTION
-
1:2 @ A4

ALUMINIUM COMPOSITE CLADDING SYSTEM



1 INTERNAL CORNER / HORIZONTAL PROFILED METAL JUNCTION
 -
 1:2 @ A4

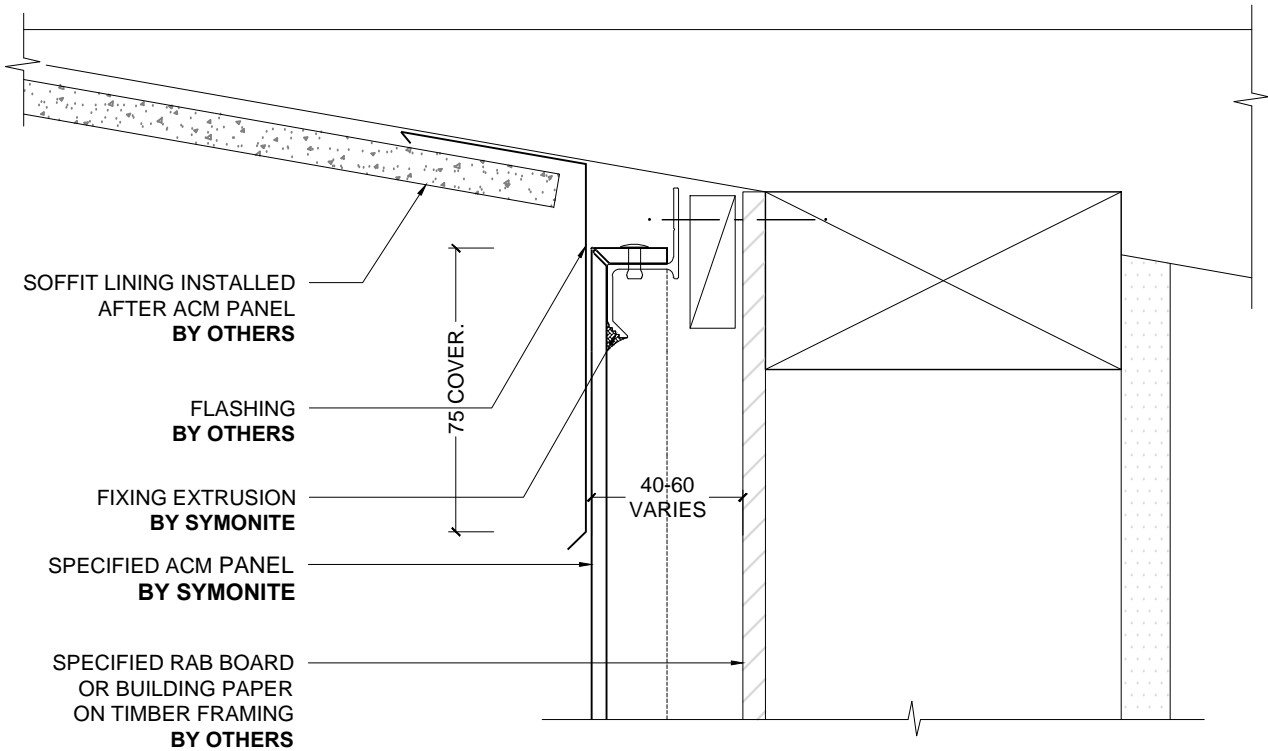
ALUMINIUM COMPOSITE CLADDING SYSTEM



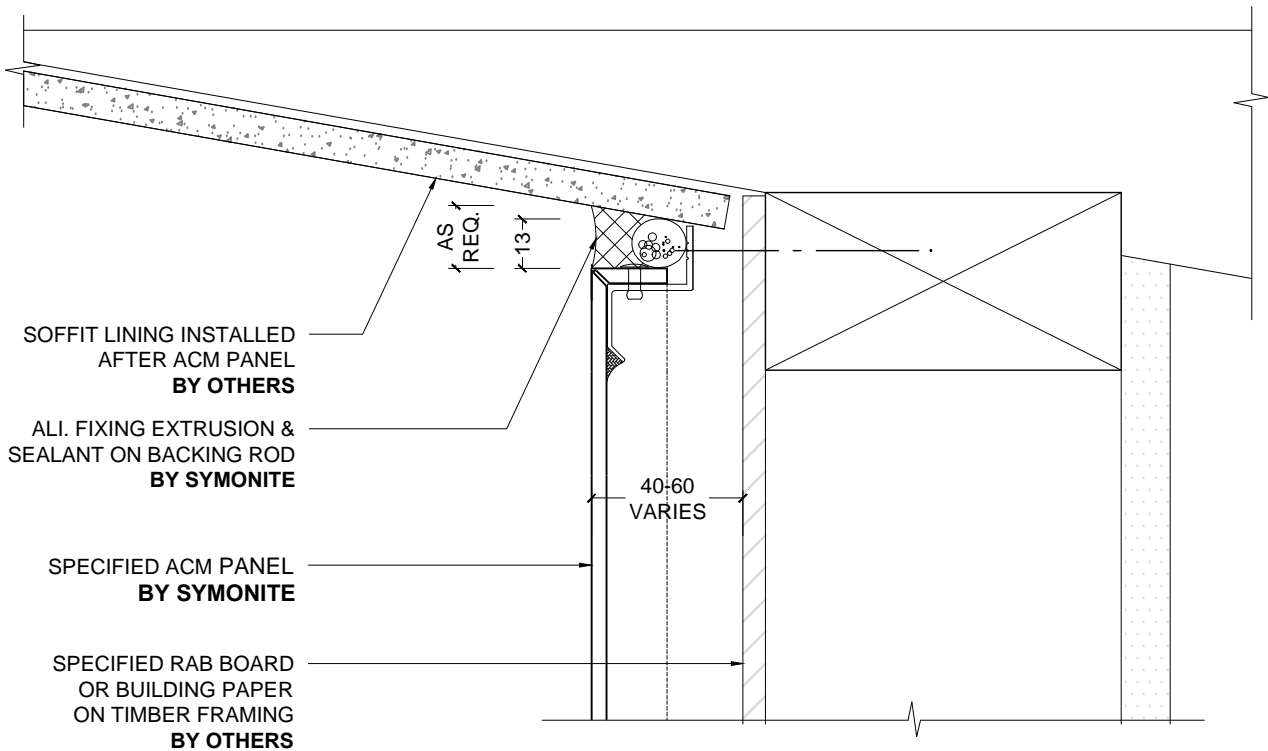
TYPICAL WALL / SOFFIT JUNCTION

1:2 @ A4

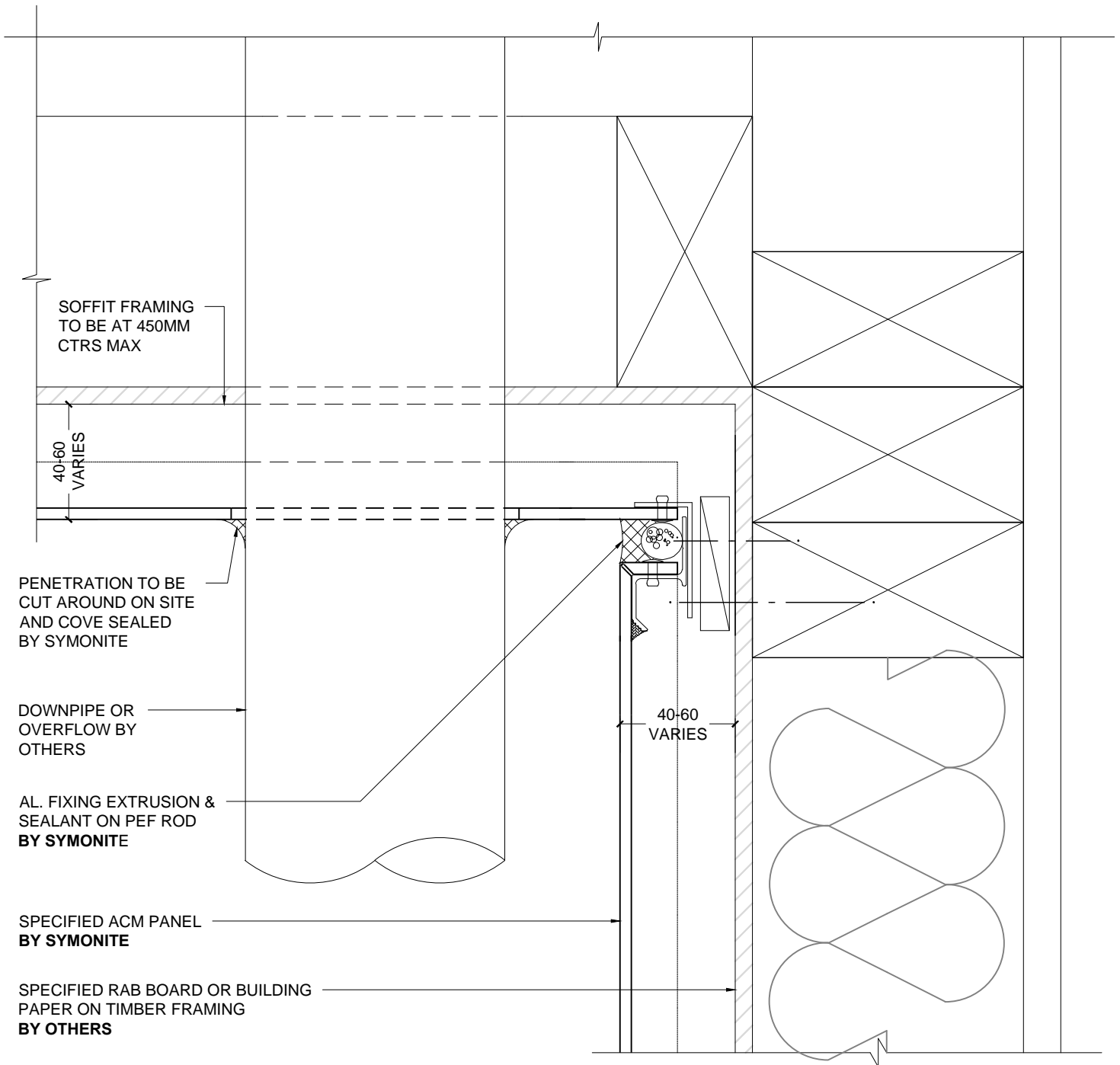
ALUMINIUM COMPOSITE CLADDING SYSTEM



1 WALL / RAKING SOFFIT JUNCTION - OPTION 1
1:2 @ A4

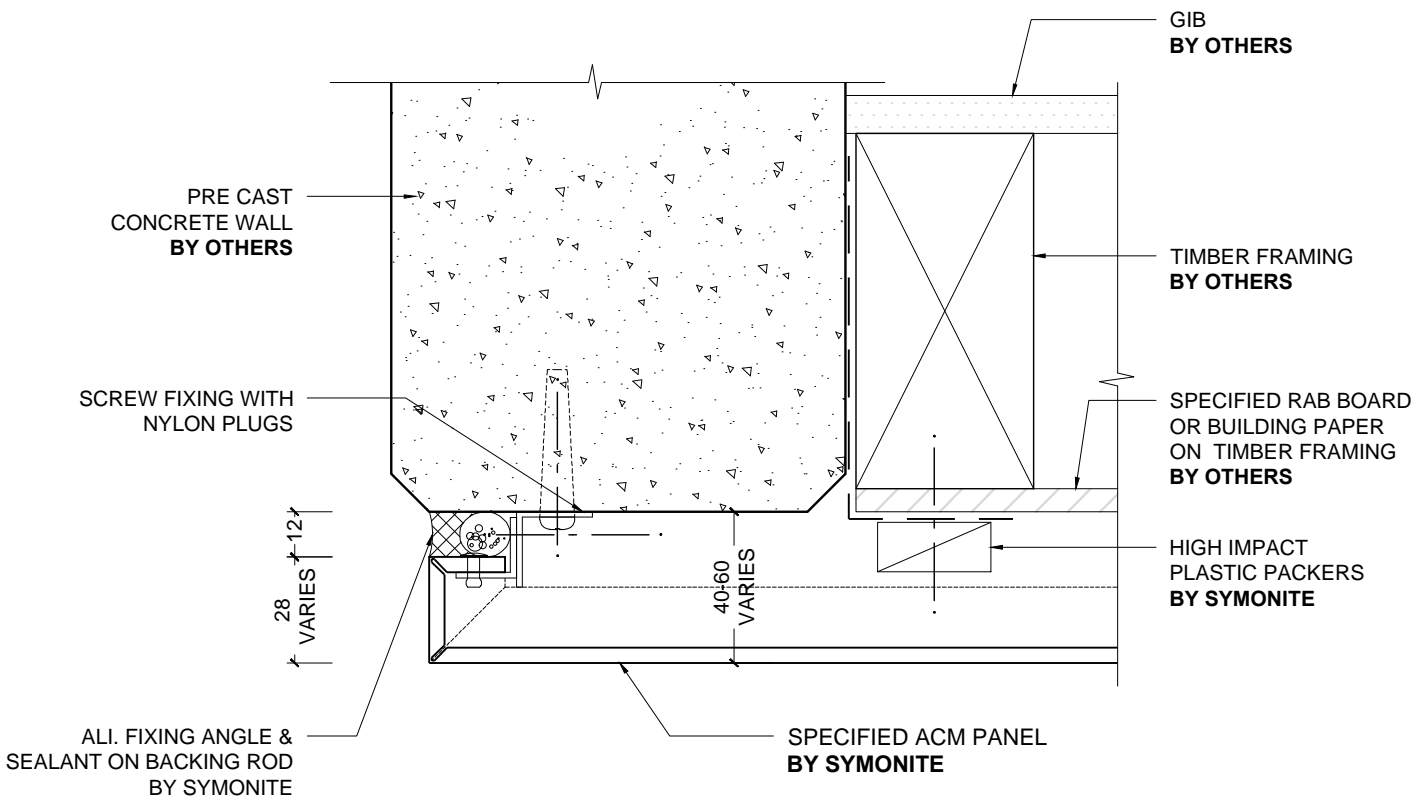


2 WALL / RAKING SOFFIT JUNCTION - OPTION 2
1:2 @ A4



1 WALL / SOFFIT JUNCTION & DOWNPIPE PENETRATION
-
1:2 @ A4

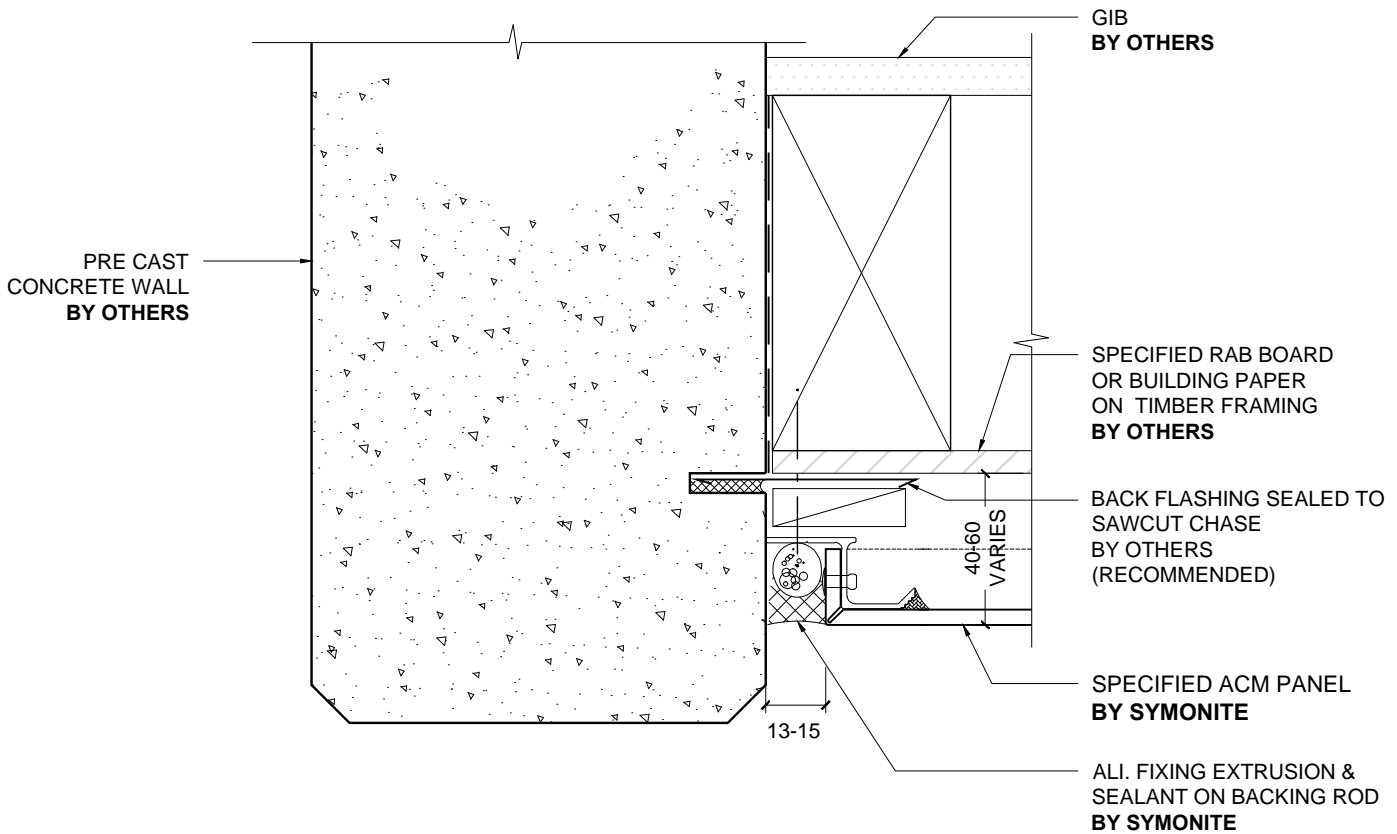
ALUMINIUM COMPOSITE CLADDING SYSTEM



1
 -

DETAIL AT PRE CAST CONCRETE WALL
 1:2 @ A4

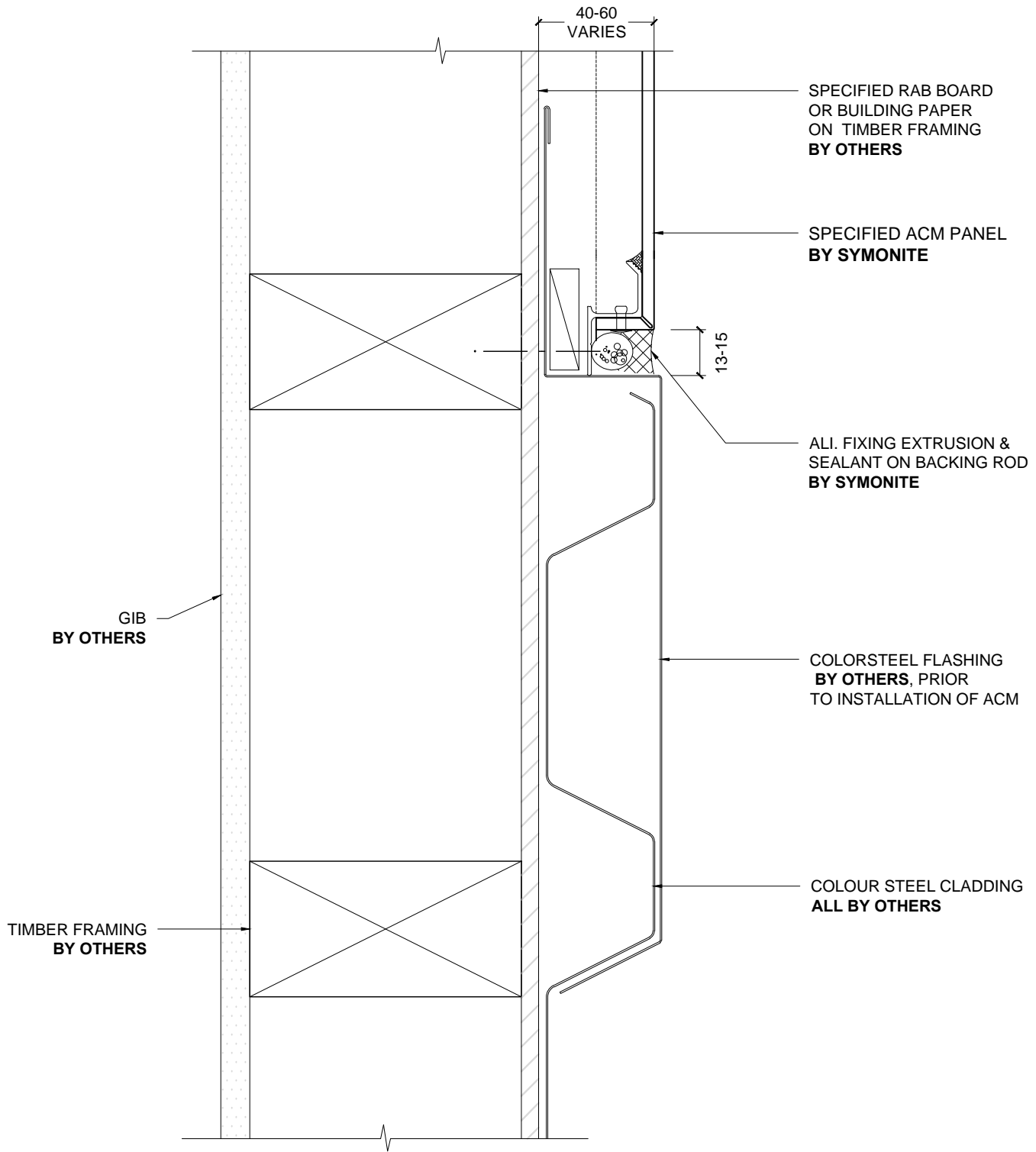
ALUMINIUM COMPOSITE CLADDING SYSTEM



NOTE: CHASED FLASHING IS RECOMMENDED AT ALL VERTICAL CONCRETE JUNCTION DETAILS. IT IS THE BUILDING DESIGNERS RESPONSIBILITY TO CHECK WITH APPLICABLE LOCAL BUILDING AUTHORITY AS TO WHETHER THIS IS REQUIRED

1 - DETAIL AT PRE CAST CONCRETE WALL
1:2 @ A4

ALUMINIUM COMPOSITE CLADDING SYSTEM



1 VERTICAL PROFILED METAL JUNCTION
- 1:2 @ A4