

Pacific SPS3 Reinforced Security Door

DESCRIPTION

The Pacific SPS3 Reinforced Security door set is suitable for commercial interiors where resistance to physical attack is required from a door with the appearance of a standard interior door.

Product features:

- Single or pair
- 4 leaf facing options
- 6 frame options
- Compatible with timber stud and masonry wall
- Optional security glazing
- Optional ventilation grilles
- Suitable for interior use only.
- Ballistic tested to AS/NZS 2343:1997 standard

Typical applications:

- Protection of staff or property
- Commercial environments

Not suitable for protection against sophisticated forced entry.

For further information on this product, visit:

<https://www.pacificdoors.co.nz/products/security/custodial-doors/sps3>

PRODUCT OPTIONS

Leaf size and wall type

Leaf size

The door set is suitable for interior use only.

	Rating	Standard	Description
Bullet Resistance	S0	AS/NZ 2343	Shotgun 12 gauge SG shot

The thickness of the SPS3 door leaf is 50mm with an approximate leaf weight of 60kg/m².

Wall Type	Fire Resistance Rating (FFR)	Door Application	Max Leaf Height (mm)	Max Leaf Width (mm)
Timber Stud Masonry	N/A	Single	2400	1200
		Pair	2400	1200

Notes:

1. Please note that the maximum leaf width shown above is measured per door leaf.
2. Doors can be manufactured to any practical size, please contact Pacific Doors.

Door Leaf Options

Leaf Facings

Available options include:

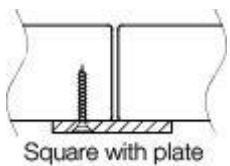
- Standard paint-quality MDF facings
- Plastic laminate (e.g., Formica)
- Vinyl/acrylic (e.g., Acrovyn, Kydex)
- Timber veneer

Leaf Edges

The leaf edges listed below are available for the SPS3 door set

Meeting Stiles

The meeting stiles listed below apply to paired door sets only.



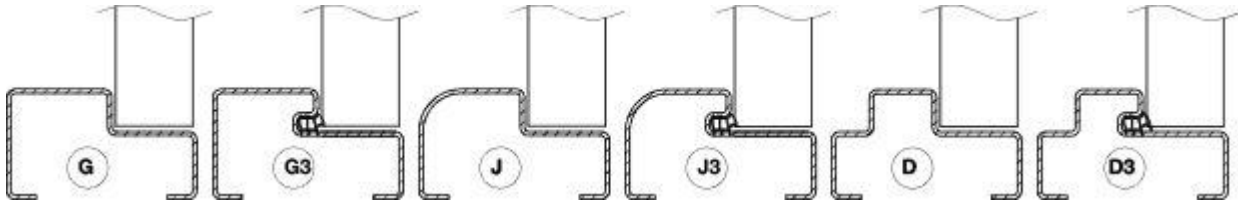
Frame Types and Profiles

Timber Frame

This door set is only available in a steel frame.

Steel Frame

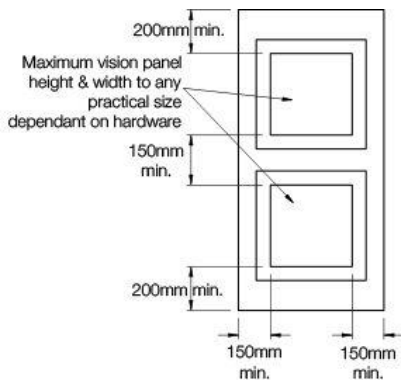
The steel frame profiles listed below are available for the SPS3 door set.



Standard frames are three-sided only, with no sill. Four-sided frames and/or custom sills may be available on request. For more in-depth information on frame profiles and sizes, please see our Installation Instructions.

Vision Panel

Glazing Type	Max. Glazed Area		Max. height (mm)	Max width (mm)	Glazing Bead
	Per VP	Total			Steel Bead
Security Glazing	0.8325m ²	1.665m ²	925	900	✓



The standard glazing system provides a flush attack face and steel beading with fixings on the “non-attack” face. Glazing with ballistic rating G2 is available.

Standard Vision Panel Cross Sections

