

PACIFIC STEEL FIRE DOORSET -/60/30

DESCRIPTION

The Pacific Forster FuegoLight -/60/30 is a high visibility fire doorset. It comprises a side hung, fully glazed single or pair leaf. The leaf is hung on seam welded steel hinges in a steel frame.

APPLICATION

The Pacific Forster FuegoLight is suitable for applications where high visibility is required.

The doorset is fire rated up to -/60/30.

It is suitable for both interior and exterior use.

FIRE RESISTANCE RATING

The doorset is rated to AS1530.4:2005 to
-/60/30

(Stability / Integrity / Insulation)

SMOKE CONTROL

The doorset is a smoke control door as defined in the NZ Building Code Acceptable Solutions Appendix C, C6.1.2.

WEATHERTIGHTNESS TESTING

The doorset is tested to AS/NZS 4284:2008 – “Testing of building facades” and complies with requirements of NZS 4211:2008 – “Specification for performance of windows” up to and including the High Wind Zone.

LEAF SPECIFICATIONS

Leaf thickness: 65 mm

Leaf weight: 76 kg/m²

Leaf Sizes:

Tested leaf size is 2526 x 1161 mm. Sidelights with a clear view width of up to 1376 mm can be added to either side of the leaf. One overlight can be added above the leaf, the overall height of the unit is limited to 3980 mm.

FINISH

Standard preparation for interior use is powdercoating.

Standard preparation for exterior use is sandblasting followed by zinc arc spray (15 year weatherability grade) to leaf and frame.

Unit can be delivered with a powdercoat finish or primed ready to paint.

FRAME

The leaf is hung in a frame of 1.5 mm cold formed steel sections.

VISION PANELS

The doorset is fully glazed.

The interior fire rated glazing is Pyrobel 16, 17.3 mm thick.

The exterior fire rated glazing is Pyrobel 16 EG, 21 mm thick

Max. pane clear view is 2366 H x 1021 W for door leaves and 2676 H x 1376 W for sidelights and overpanels.

HARDWARE

This doorset uses standard Forster lock and handles only. The Forster lock fits any standard europrofile lock cylinder.

Closer

Dorma TS93B SG5-7 closer mounted on either face.

Hinges

The leaf is hung on two seam welded steel hinges.

PACIFIC STEEL FIRE DOORSET -/60/30

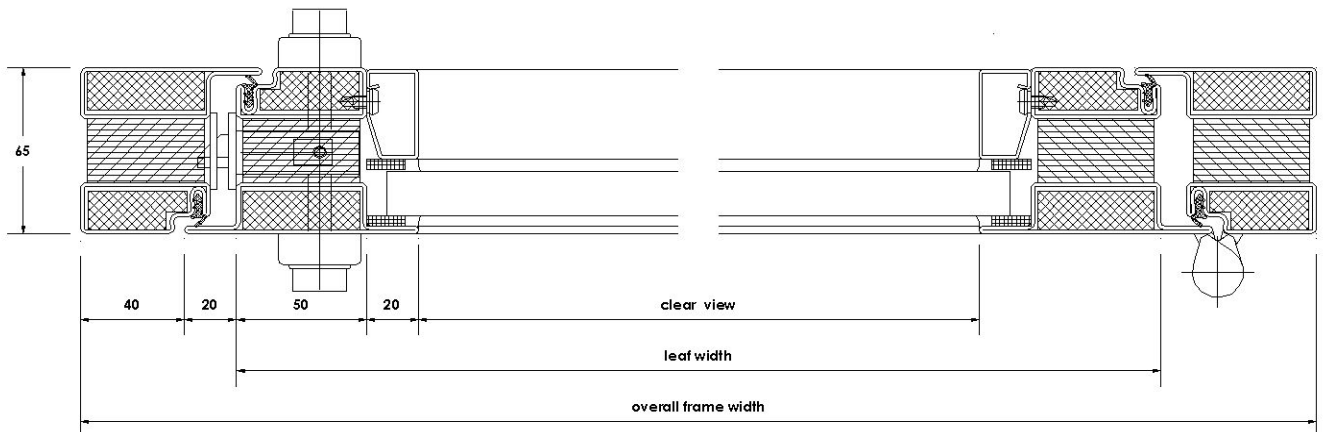
INSTALLATION

The standard detail for steel or timber frame walls is by 12g screws at max. 450 mm centres.

The standard detail for Masonry installation is by M8 Excalibur screwbolts (or similar) at max. 450 mm centres. No fasteners are exposed to weather or attack face.

DETAIL DRAWINGS

LEAF & FRAME DIMENSIONS



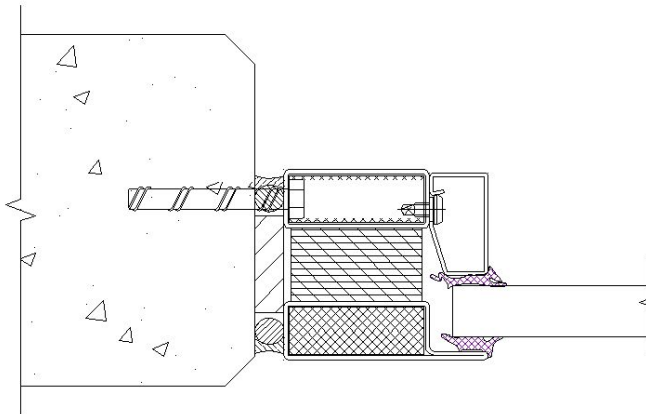
PACIFIC STEEL FIRE DOORSET -/60/30

INSTALLATION DETAILS

Detail drawings illustrate recommended installation methods for interior and exterior installation.

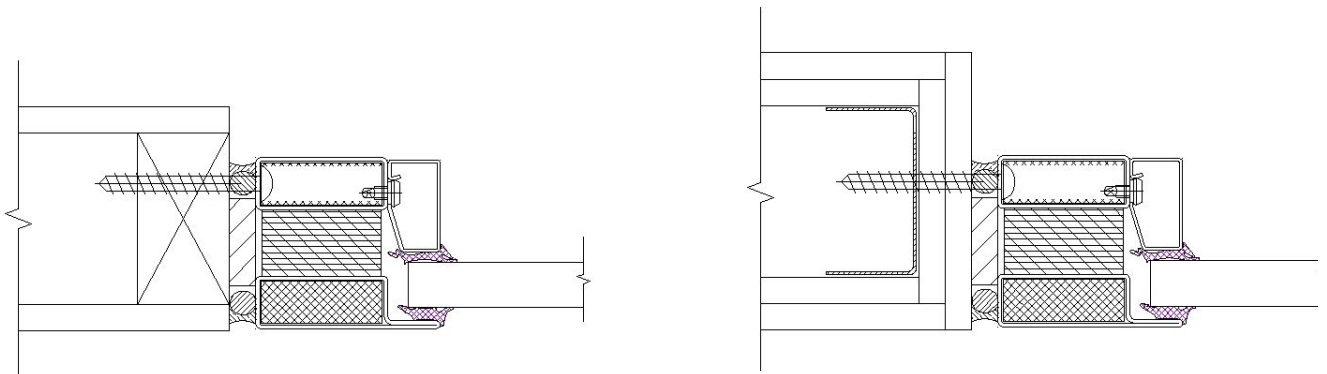
INTERIOR INSTALLATION

MASONRY/CONCRETE WALL



M8 masonry bolts at max 450 mm centres. Min. 40 mm penetration. Pack gap with Rockwool, 100 kg/m³. Cover with fire retardant sealant.

DRYWALL

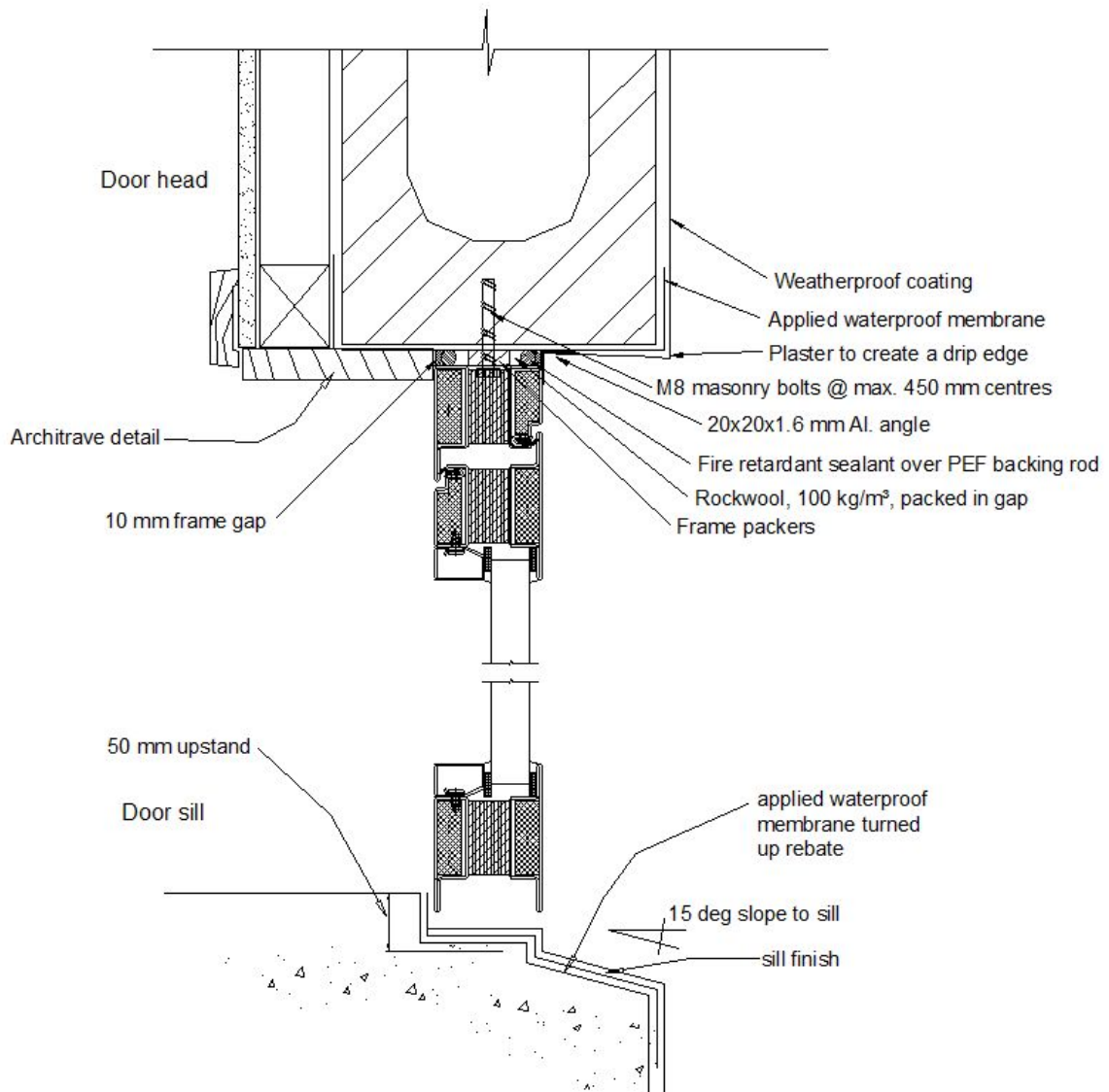


12g screws at max 450 mm centres.
Pack gap with Rockwool, 100 kg/m³.
Cover with fire retardant sealant.

PACIFIC STEEL FIRE DOORSET -/60/30

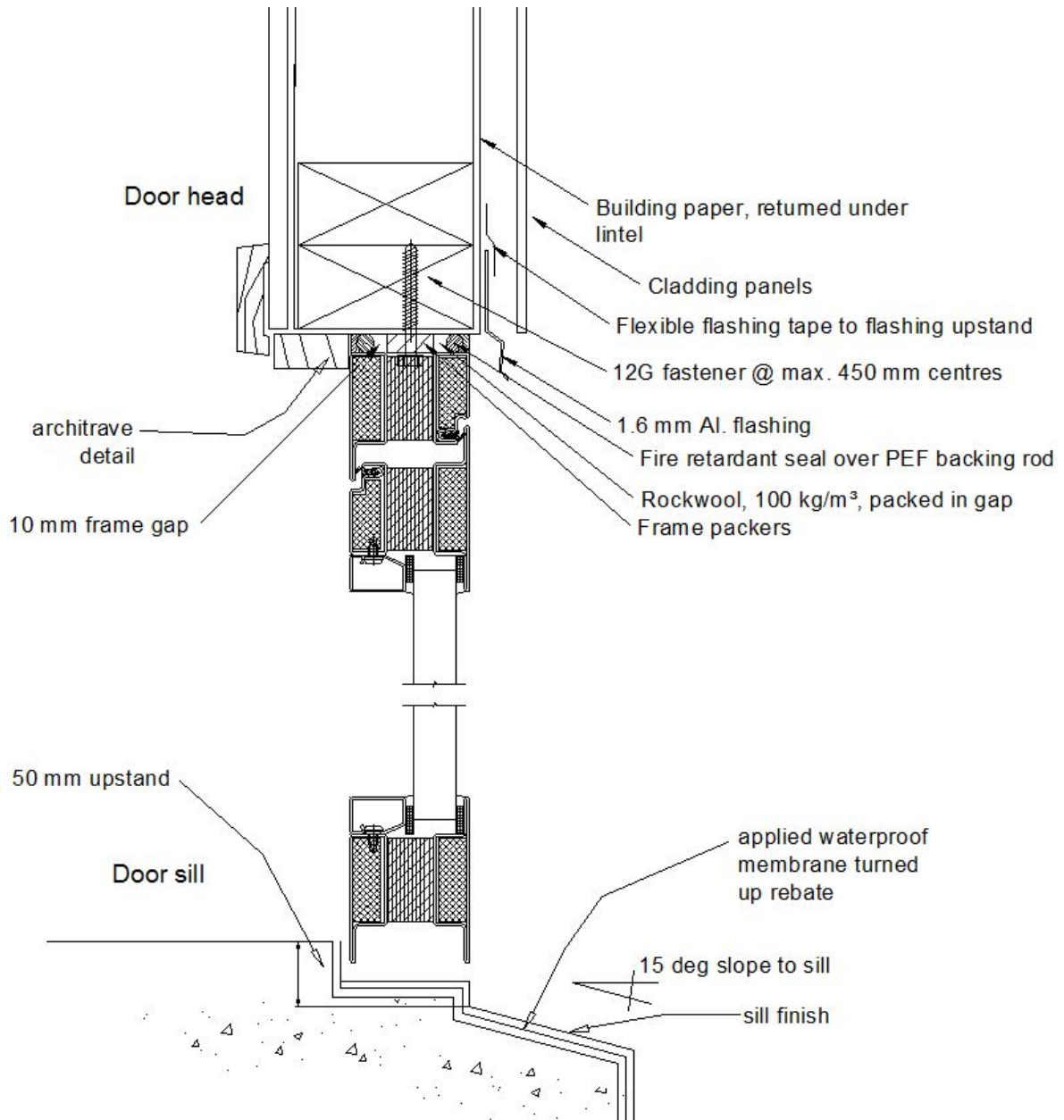
EXTERIOR INSTALLATION:

MASONRY/CONCRETE WALL



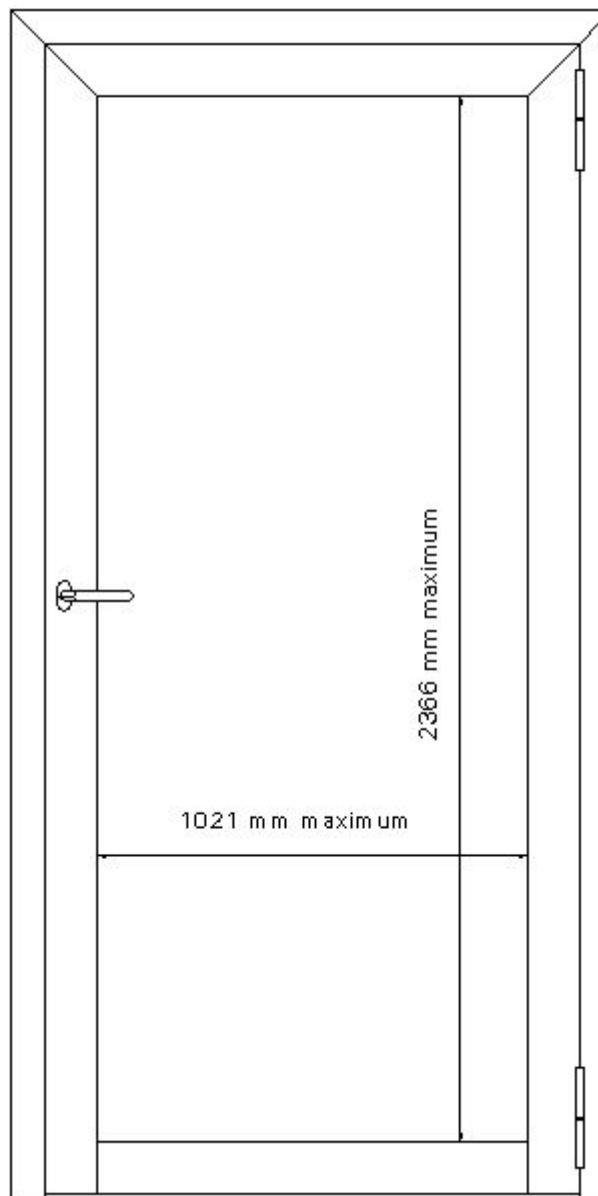
PACIFIC STEEL FIRE DOORSET -/60/30

DRYWALL



PACIFIC STEEL FIRE DOORSET -/60/30

ELEVATION OF DOORSET



PACIFIC STEEL FIRE DOORSET -/60/30

ELEVATION OF DOOR SET WITH SIDELIGHT & OVERPANEL

