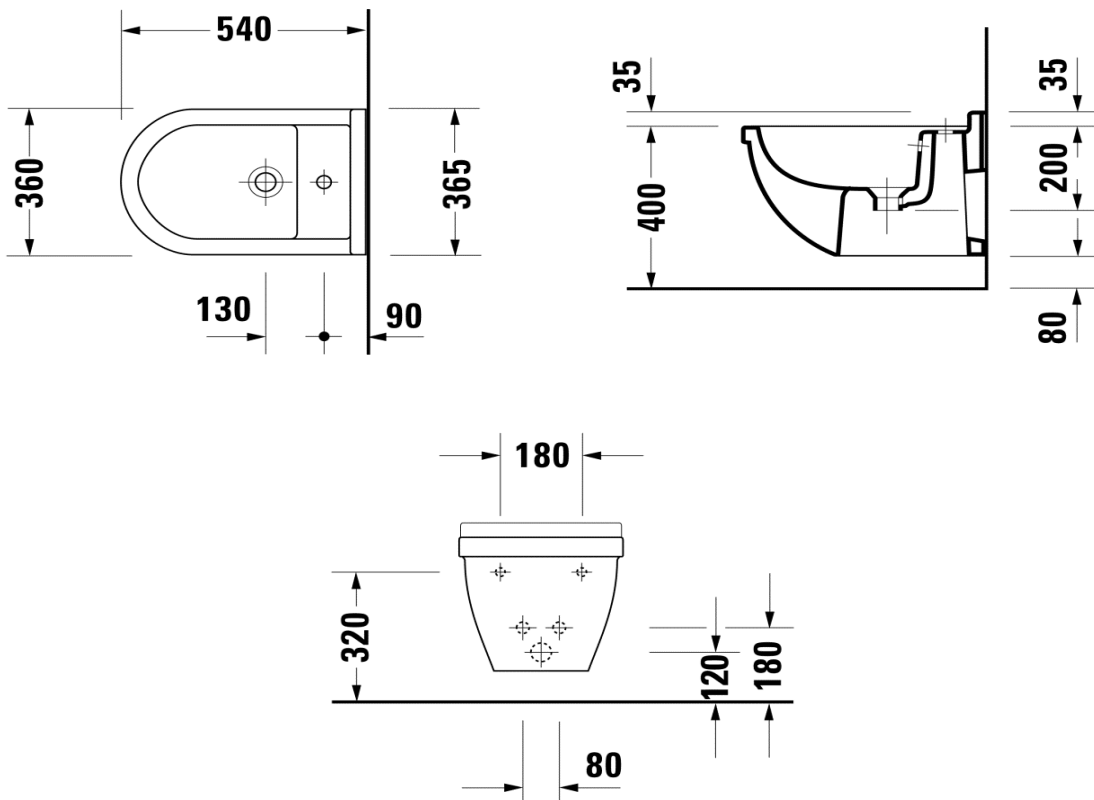


# TECHNICAL SCHEDULE



Duravit Starck 3 Bidet wall mounted, visible fixing (excl bracket)

Code: 2230.15



*Inspirational + European + Bathroomware*

t 09 444 5656

e info@metrix.co.nz

www.metrix.co.nz