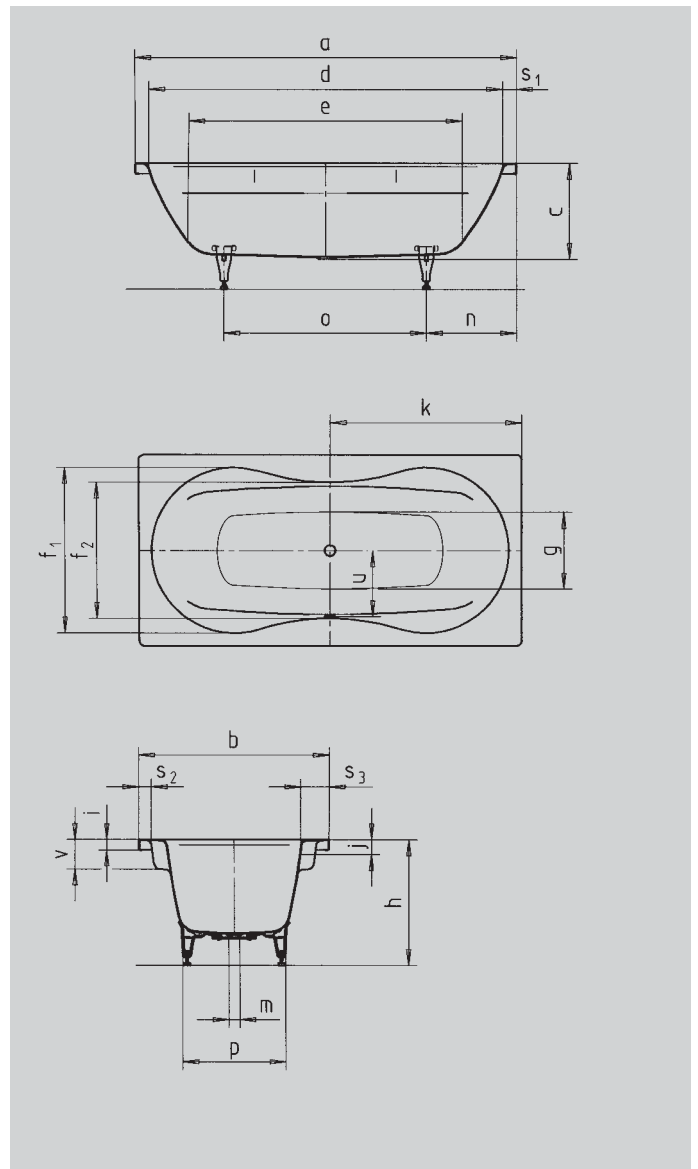


# MEGA DUO

- bathing with a friend: two identical back rests and centrally positioned waste
- wide arm rests on both sides provide optimum bathing comfort
- classic four-cornered model
- made of Kaldewei steel enamel 3.5 mm



Similar illustration



Model No.		180
External length	a	1800 mm
External width	b	900 mm
Depth	c	450 mm
Internal length (top)	d	1680 mm
<b>Internal length (bottom)</b>	<b>e</b>	<b>1290 mm</b>
Internal width (top)	f <sub>1</sub> ; f <sub>2</sub>	780; 640 mm
Internal width (bottom)	g	360 mm
Height with feet	h	565-600 mm
Height of rim	i	50 mm
Distance top edge to centre of overflow hole	j	70 mm
Distance tub edge to centre of drain hole	k	900 mm
Diameter of overflow hole	l	52 mm
Diameter of drain hole	m	52 mm
Distance foot end of tub edge to centre of foot	n	490 mm
Distance between the feet	o	820 mm
Max. width of feet	p	480 mm
Width of rim (foot end; lengthwise)	s <sub>1</sub> ; s <sub>2</sub> ; s <sub>3</sub>	60; 60; 130 mm
Distance between centre holes	u	310 mm
Armrest depth	v	140 mm
Water volume** in litres		186
Weight of the enamelled bath tub in kg		60
Anti-slip		Ø 435 mm
Full anti-slip		900 x 300 mm

Subject to technical alterations, tolerances and errors. Similar illustration.  
 \*\* 70 litres displacement on average.