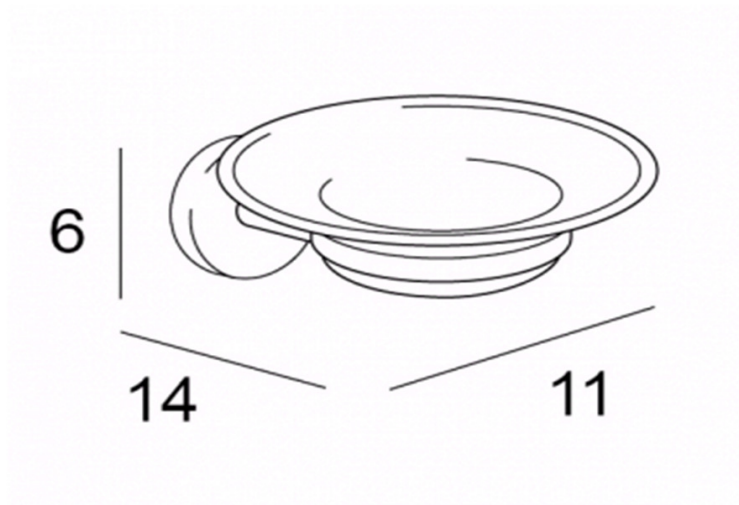


# TECHNICAL SCHEDULE

Inda Forum soapdish & holder

Code: A36110



*Inspirational + European + Bathroomware*