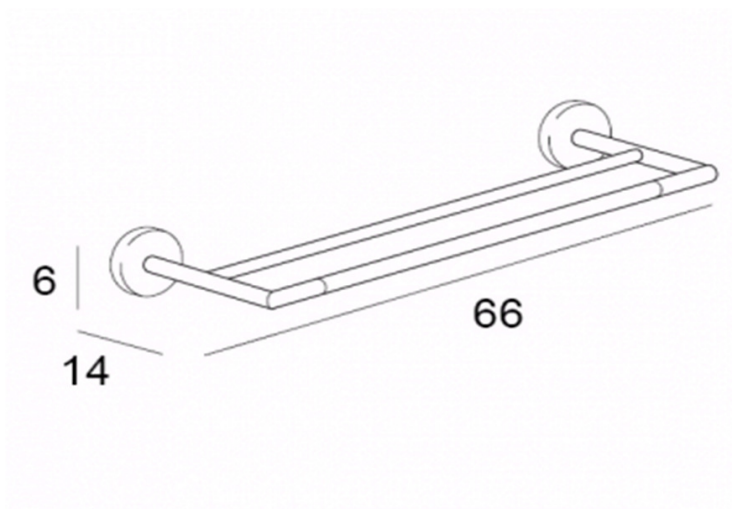
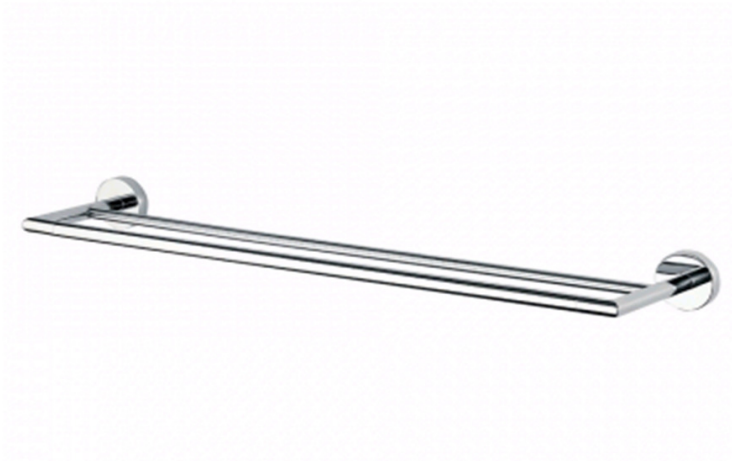


# TECHNICAL SCHEDULE



Inda Forum double towel rail

Code: A3619C



*Inspirational + European + Bathroomware*

t 09 444 5656

e info@metrix.co.nz

www.metrix.co.nz