



Wesco bin solutions & SERVO-DRIVE uno

Configuration & specification guide

A woman with long brown hair, wearing a purple long-sleeved top and dark grey trousers, is standing in a modern kitchen. She is holding a bowl of orange slices. The kitchen features a dark grey countertop with a sink and a modern faucet. On the counter, there is a fruit basket with various fruits, a pineapple, and a glass bowl. The background is a light-colored brick wall with a framed picture. The floor is made of light-colored wood. The woman is looking down at the bowl she is holding, and her hands are full of orange slices. The overall atmosphere is clean and modern.

Hands full? No problem...

We all know that feeling. You want to throw away waste in the kitchen, but you can't open the rubbish bin drawer because your hands are full. Consider the problem solved with SERVO-DRIVE uno. A gentle press with a hip or knee will open the drawer, keeping the fronts clean while the waste goes straight into the bin.



Contents

2 Wesco bin solutions & SERVO-DRIVE uno

Bottom mount bins

4 – Bin range and height guide

5 – Configuration ideas and examples

Top mount bins

6 – Bin sets and specification guidelines

6 SERVO-DRIVE uno

7 Ordering information

Bottom mount bins (lids available where seen, sold separately)



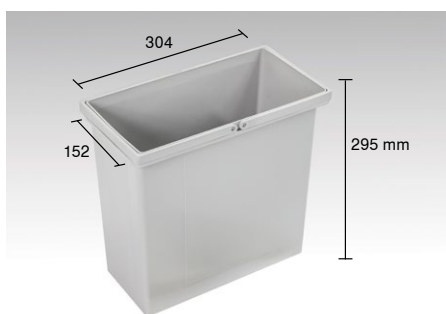
5 litre bin
Composting or food scraps



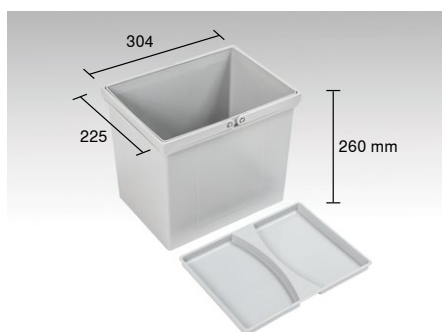
7 litre bin
Composting or food scraps



8 litre bin
Composting or food scraps



11 litre bin
Composting or food scraps



15 litre bin
Waste or recycling - suits bin liner



17 litre bin
Waste or recycling - suits bin liner



29 litre bin
Waste or recycling - suits bin liner, great for large households



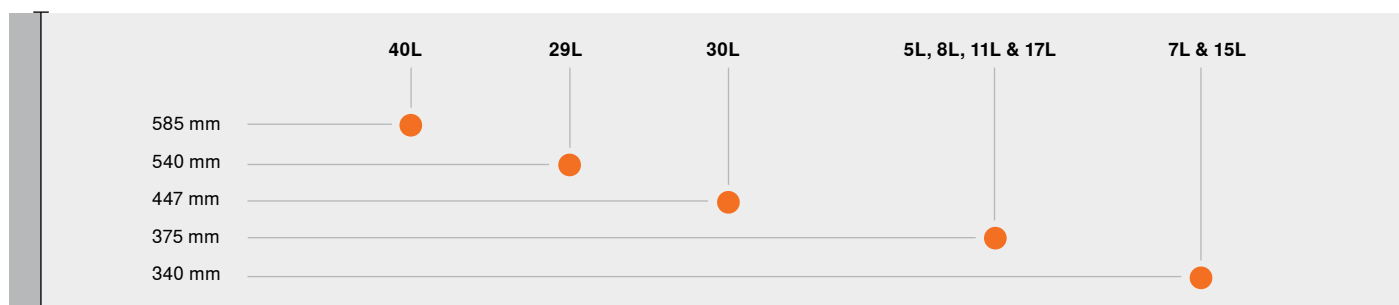
30 litre bin
Waste or recycling - suits bin liner, great for large households



40 litre bin
Waste or recycling - suits bin liner, great for large households

Height guide: Bin height + 80 mm = minimum external drawer front height

Height example: 15 L bin height 260 mm + 80 mm = minimum external drawer front height 340 mm

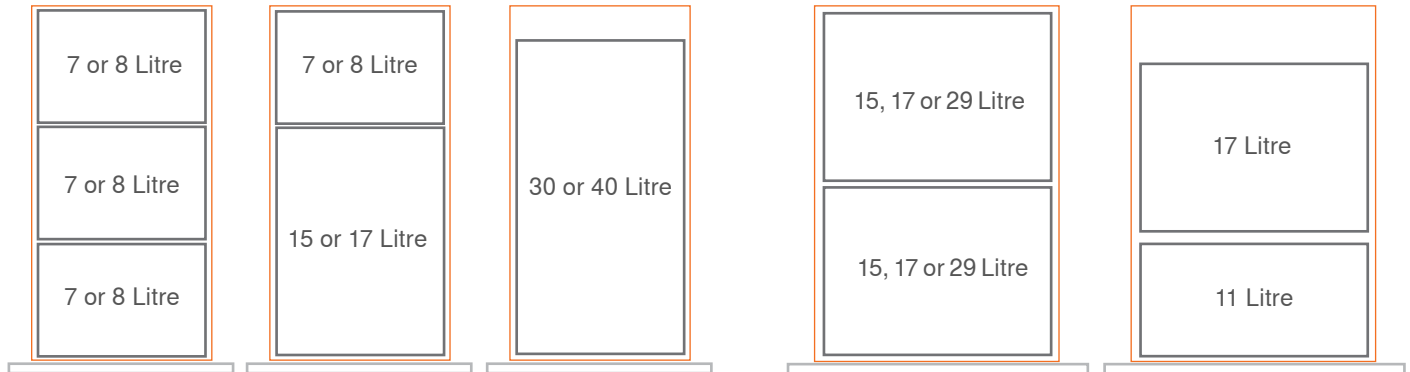


Above height guide allows a safe clearance for daily use. Please calculate your space requirements per project for absolute minimum.

Bottom mount bin configuration ideas

LEGRABOX 300 mm
 MERIVOBX 315 mm
 TANDEMBOX 343 mm

LEGRABOX 380 mm
 MERIVOBX 395 mm
 TANDEMBOX 423 mm



Configurations are external width. Variables may apply. Configurations are for **nominal length 500 mm**, please check your space requirements per project.

Bottom mount bin examples



TANDEMBOX antaro example

Silk white D height 2 × 17 L



LEGRABOX example

Orion grey C height 2 × 17 L



LEGRABOX example

Carbon black F height 2 × 29 L



LEGRABOX example

Silk white C height 1 × 17 L with AMBIA-LINE cross gallery for cleaning products



LEGRABOX example

Orion grey C height 2 × 17 L with AMBIA-LINE bottle store for cleaning products



LEGRABOX example

Carbon black F height 2 × 8 L and 2 × 17 L with AMBIA-LINE frames for cleaning products

Top mount bin sets for TANDEMBOX antaro



Top mount bin solution for 450 mm wide module

- Bins 2 x 20 L
- Set includes bins, fixed steel lid & hanging frame components

Space requirements and specification guidelines

- External carcass width (set width) **450 mm**
- Minimum external drawer front **height 460 mm**
- Internal cabinet depth including SERVO-DRIVE uno **537 mm**
- Not compatible with TIP-ON BLUMOTION



Top mount bin solution for 600 mm wide module

- Bins 2 x 20 L + 2 x 10 L
- Set includes bins, fixed steel lid & hanging frame components

Space requirements and specification guidelines

- External carcass width (set width) **600 mm**
- Minimum external drawer front **height 460 mm**
- Internal cabinet depth including SERVO-DRIVE uno **537 mm**
- Not compatible with TIP-ON BLUMOTION

Top mount bin sets are compatible with 16 mm and 18 mm cabinet construction, variables may apply. Please check your space requirements per project. Specify with handle and/or SERVO-DRIVE uno. **Do not specify with TIP-ON BLUMOTION.**

SERVO-DRIVE uno for Wesco rubbish bin solutions



SERVO-DRIVE uno for bottom mount bin solutions

- Electronic opening support system
- Suits LEGRABOX, MERIVOBX or TANDEMBOX pull-outs
- Suits fronts with handles or handle-less
- Push-to-open and soft-close
- Open when your hands are full; press with an elbow, hip or knee
- Wesco rubbish bin solutions and SERVO-DRIVE uno requires a cabinet maker to install. Regular NZ power point required
- Space required - Inner cabinet depth, nominal length + 35 mm



SERVO-DRIVE uno for top mount bin solutions

- Electronic opening support system
- Suits top mount bin solution 450 wide or 600 wide module
- Suits fronts with handles or handle-less
- Push-to-open and soft-close
- Open when your hands are full; press with an elbow, hip or knee
- Wesco rubbish bin solutions and SERVO-DRIVE uno requires a cabinet maker to install. Regular NZ power point required
- SERVO-DRIVE uno includes NZ plug and distance bumpers

Ordering information for bottom mount bins

Order bins + drawer + optional SERVO-DRIVE uno + optional lids

Wesco bottom mount bins	
Bin 5 litres - 152 x 152 x 295H	380 104 96
Bin 7 litres - 152 x 225 x 260H	380 105 00
Bin 8 litres - 152 x 225 x 295H	380 105 18
Bin 11 litres - 152 x 304 x 295H	380 105 26
Bin 15 litres - 225 x 304 x 260H	380 105 34
Bin 17 litres - 225 x 304 x 295H	380 105 42
Bin 29 litres - 225 x 304 x 460H	380 105 51
Bin 30 litres - 223 x 418 x 367H	380 105 69
Bin 40 litres - 223 x 418 x 505H	380 105 77
Pullboy lid for 7, 8 & 10 litre bins - each	380 016 08
Pullboy lid for 15, 17, 20 & 29 litre bins - each	380 016 16
Pullboy lid for 30 & 40 litre bins - each	380 105 85

Specify with handle and/or SERVO-DRIVE uno. Not recommended with TIP-ON BLUMOTION

and

LEGRABOX pure for bottom mount bins	SILK WHITE	ORION GREY	CARBON BLACK
LEGRABOX C height kitset 70kg BLUMOTION - Nominal length 500 mm	380 099 86	380 101 94	073 285 78
LEGRABOX F height kitset 70kg BLUMOTION - Nominal length 500 mm	380 100 20	380 102 32	072 920 48

or

MERIVOBOX for bottom mount bins	SILK WHITE	ORION GREY
MERIVOBOX E height with gallery rail sides kitset 70kg BLUMOTION - Nominal length 500 mm	028 846 03	061 059 82
MERIVOBOX E height with BOXCAP sides kitset 70kg BLUMOTION - Nominal length 500 mm	010 390 40	097 677 24
MERIVOBOX F height with BOXCAP sides kitset 70kg BLUMOTION - Nominal length 500 mm	029 450 08	025 500 89

or

TANDEMBOX antaro for bottom mount bins	SILK WHITE
TANDEMBOX antaro D height kitset 65kg BLUMOTION - Nominal length 500 mm	380 072 82
TANDEMBOX antaro adjustable gallery rail for 500 mm LH	017 854 52
TANDEMBOX antaro adjustable gallery rail for 500 mm RH	074 034 62
TANDEMBOX antaro back fixing bracket set for adjustable gallery rails	032 054 43

Additional gallery rail with fixing brackets and extended back height recommended for high fronts i.e. combination of 2 x 29L

optional

SERVO-DRIVE uno for bottom mount bins	
SERVO-DRIVE uno for bottom mount rubbish bins	076 562 25

Ordering information for top mount bins

Order bins + TANDEMBOX antaro drawer + optional SERVO-DRIVE uno

Top mount bin sets	
Pullboy Z bin set for 450 mm wide external drawer front module 40 Litres (2 x 20 L)	380 002 02
Pullboy Z bin set for 600 mm wide external drawer front module 60 Litres (2 x 20 L + 2x10 L)	380 002 11

Specify with handle and/or SERVO-DRIVE uno. **Do not specify with TIP-ON BLUMOTION**

and

TANDEMBOX antaro for top mount bins	SILK WHITE
TANDEMBOX antaro M height kitset 65kg BLUMOTION - Nominal length 500 mm	380 070 29

optional

SERVO-DRIVE uno for top mount bins	
SERVO-DRIVE uno for top mount rubbish bin solution 450 mm wide module	015 072 54
SERVO-DRIVE uno for top mount rubbish bin solution 600 mm wide module	051 313 37

Blum New Zealand Ltd
621 Rosebank Road, Avondale
Auckland 1026
New Zealand
Phone: 09 820-5051
E-mail: info.nz@blum.com

Blum New Zealand Ltd
16 Avenger Crescent, Wigram
Christchurch 8042
New Zealand
Phone: 03 379-4984
E-mail: info.nz@blum.com

Julius Blum GmbH
Furniture Fittings Mfg.
6973 Höchst, Austria
Tel.: +43 5578 705-0
E-mail: info@blum.com
www.blum.com

Our sites in Austria, Poland and China are certified to the international standards mentioned below.
Our site in the USA is certified to ISO 9001.
Our site in Brazil is certified to ISO 9001 and ISO 14001.

