

# Pull-out shelf lock

Secure hold for pull-out shelves



# Pull-out shelf lock for MOVENTO

Quality of living is not only determined by design but also by convenience. That is why we have developed a practical lock-open stop for pull-out shelves with full extension. The discreet and space-saving mechanism securely holds the open pull-out shelf in place.





## Contents

- 4 Pull-out shelf lock applications
- 8 Ordering and planning information
- 9 Assembly and installation information
- 10 moving ideas



Mechanical

soft  
close

**BLUMOTION**

by Blum

Every pull-out shelf closes softly and effortlessly no matter how hard you slam it shut.

# Pull-out shelf lock applications

Pull-out shelves come in handy throughout the home be it in kitchens, bathrooms, living or utility rooms, and stay securely open thanks to the lock-open stop. They create additional space for placing things, provide a sturdy worktop for gadgets and appliances, and quickly disappear into the cabinet when no longer needed.



## **Make your life easier with clever applications**

Everything is cleared away in no time if you can put your laundry basket right next to the washing machine. The pull-out shelf is held securely in place for as long as you need it.

### Extra space for documents

Every inch counts in a home office. There's no point in squeezing in an extra desk that you'll never use. Thanks to the pull-out shelf lock, you can access your documents and clear everything away in a flash. Pull-out shelves are just the job for offices.



### Easy to use and secure

The lock engages securely on both sides when the pull-out shelf is fully extended and holds firmly in place. It can be easily released with one hand thanks to the synchronisation shaft. To unlock, simply lift the lever.

Mechanical

### opening & soft close

**TIP-ON  
BLUMOTION**  
by Blum

Enhanced convenience. Press the front to open. To close, release the lock and close the pull-out shelf with an energetic push. It closes softly and effortlessly thanks to integrated BLUMOTION.



Runner systems | Pull-out shelf lock



## Ordering and planning information

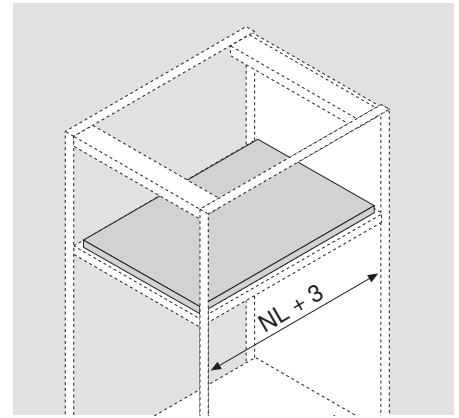
### Product



### Description

- Use with MOVENTO full extensions
- Can be combined with BLUMOTION, and TIP-ON BLUMOTION
- Two-sided locking mechanism
- Can be unlocked with one hand
- Can be used throughout the home
- Secure hold
- Easy to install – fittings serve as template
- Runners are attached in standard fixing positions

### Space requirements



## Ordering information

Pull-out shelf lock for MOVENTO		
	<b>Material</b>	Nylon
	<b>Colour</b>	Orion grey matt
	<b>Consisting of:</b>	2x locking unit* 2x latching element 1x installation instructions
		<b>295H5700</b>
* Fixing only possible with chipboard screws		

Synchronisation shaft		
	<b>Material</b>	Aluminium
	<b>Colour</b>	Natural
	For cutting to size	<b>ZST.1089W</b>
	Cutting dimensions: LW - 87 ± 1 mm	
Pull-out shelf lock can be released with one hand thanks to the synchronisation shaft		

## Planning information

Space requirements in the cabinet	Pull-out shelf	Pull-out shelf	Inset pull-out shelf
* + 1 mm if cabinet profiles are installed before cabinet is assembled ** Minimum 25 mm if installed in compartment	Limited side adjustment	* Additional 12 mm for side stabilisation	*Additional 3 mm for depth adjustment

TB Shelf width  
LW Internal cabinet width

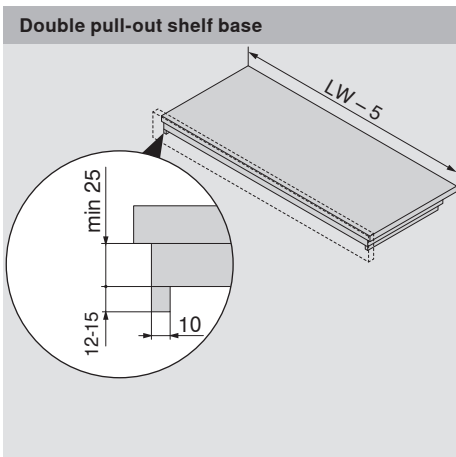
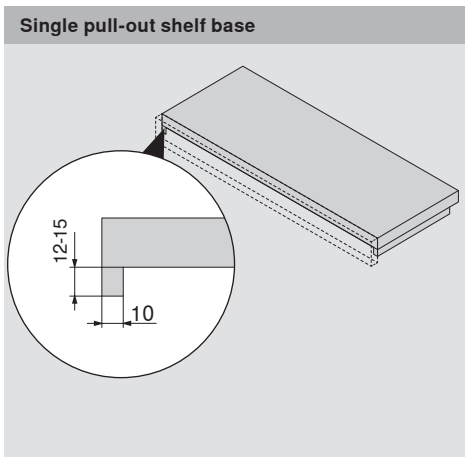
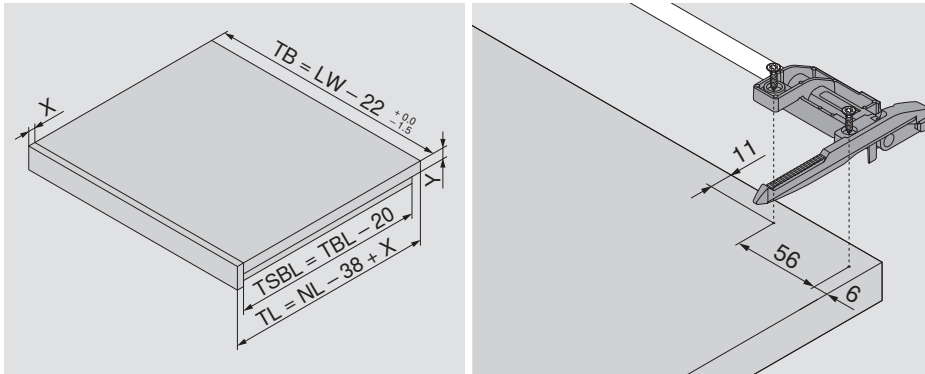
NL Nominal length  
TL Pull-out shelf length

X Pull-out shelf front piece  
TBL Pull-out shelf base length



## Assembly and installation information

### Assembly information



### Installation information



Attach the locking unit to the synchronisation shaft. It has to be flush with the pull-out shelf.



The locking unit and latching element also serve as a template. Place the screws in the predefined fixing positions. You can use either chipboard or system screws for fixing the latching element.

TB Shelf width  
LW Internal cabinet width

NL Nominal length  
TL Pull-out shelf length

X Pull-out shelf front piece  
Y Pull-out shelf base thickness

TBL Pull-out shelf base length  
TSBL Pull-out shelf side panel length

A modern kitchen scene with a girl sitting on a stool and a man cooking. The kitchen features a long island with a wooden countertop and a man in a striped shirt cooking. A girl in a white shirt sits on a black stool at the island. The room has a wooden floor, a dining table, and large windows. The text 'moving ideas' is overlaid on the bottom left.

# moving ideas

We believe that ideas can move the world. We offer innovative fittings, inspiring furniture concepts and appropriate services so that you can turn your creative ideas into reality. We are driven by your needs, international trends and our shared vision of a better quality of living. Let us work together to create moving ideas.



## Quality of living

We would like you to enjoy greater convenience and functionality when using furniture.



## Product range

Everything from a single source: our wide range of products allows you to keep up with today's and tomorrow's trends.



## Inspiration

We monitor global trends and strive to create the solutions of tomorrow. We like to share our insights with you.



## Innovation

We stay in motion. Curiosity and pioneering spirit drive us to develop new products and services for you.



## Services

We support your daily operations with customised services tailored to your processes.



## Quality

We continuously strive to improve our products, services and ourselves.



## Trust

We take responsibility for partnerships, our employees, society and the environment.

Julius Blum started our journey in 1952 with horseshoe studs. Today we supply innovative fittings to customers in over 120 countries.



Blum New Zealand Ltd  
621 Rosebank Road, Avondale  
Auckland 1026  
New Zealand  
Phone: 09 820-5051  
E-mail: [info.nz@blum.com](mailto:info.nz@blum.com)

Blum New Zealand Ltd  
16 Avenger Crescent, Wigram  
Christchurch 8042  
New Zealand  
Phone: 03 379-4984  
E-mail: [info.nz@blum.com](mailto:info.nz@blum.com)

Julius Blum GmbH  
Furniture Fittings Mfg.  
6973 Höchst, Austria  
Tel.: +43 5578 705-0  
E-mail: [info@blum.com](mailto:info@blum.com)  
[www.blum.com](http://www.blum.com)

Our sites in Austria, Poland and China are certified to the international standards mentioned below.  
Our site in the USA is certified to ISO 9001.  
Our site in Brazil is certified to ISO 9001 and ISO 14001.

