

**architectural
metalformers**



smart tray™ Roofing & Cladding

Profile Type:

**Lock Seam Wall
Head Detail**

Scale: 1:2

Drawing No.

Revision:

Date: 2016

LS-02

A

Breather Type Building Wrap folded into window opening. Provide flexible flashing tape to Manufacturers Specification.

Plasterboard wall linings to Architects Specification.

Wall Insulation to Architects Specification.

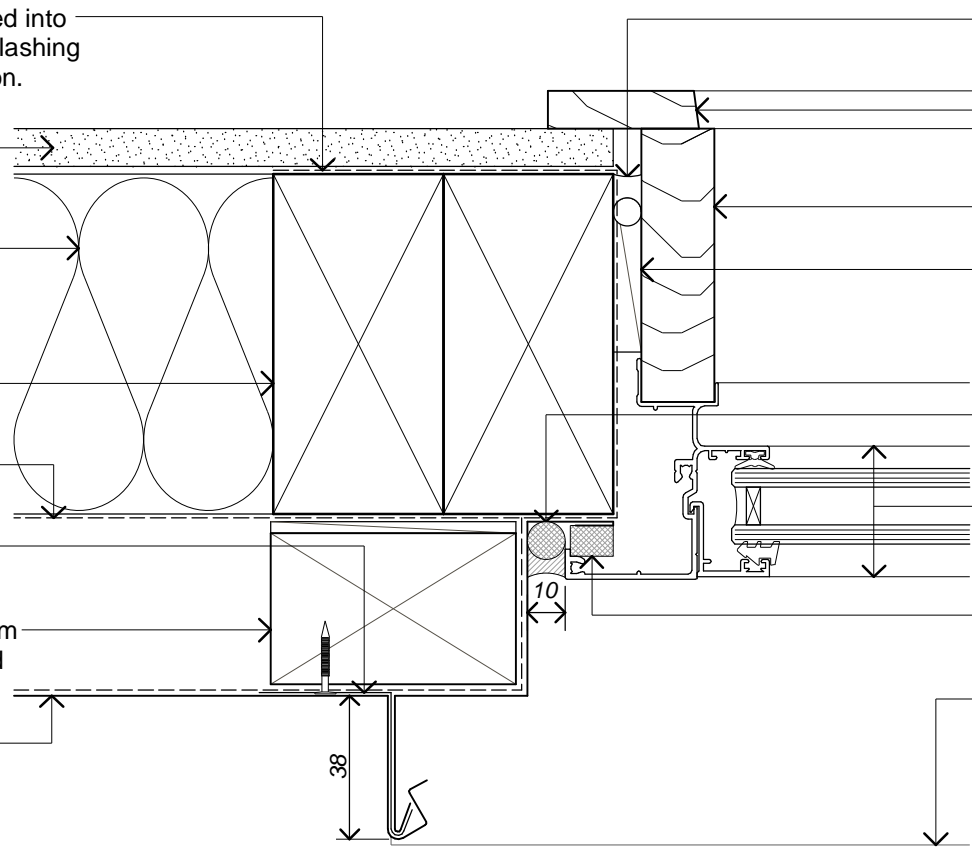
Timber understuds as required to Architects Specification.

Selected Breather Type Building Wrap to Architects Specification.

S/S bracket fixed with 19mm S/S annular grooved nails.

Rosenfeld Kidson CS-V 65 x 42mm H3.2 treated cavity batten, packed 3mm to suit 45mm deep cavity.

Lock Seam Metal Wall Cladding by **Architectural Metalformers** on selected Covertek underlay.



'Airseal' to Architects Specification.(by builder).

Selected timber architrave to Architects Specification.

H3.1 treated timber jamb liner.

Flat packers as required.

Seal between joinery & flashing, with sealant on PEF rod (by joiner).

Selected Window Joinery to Architects Specification.

Closed cell foam tape (by joiner).

Sill line below.



**architectural
metalformers**



smart tray™ Roofing & Cladding

Profile Type:

**Lock Seam Wall
Jamb Detail**

Scale: 1:2

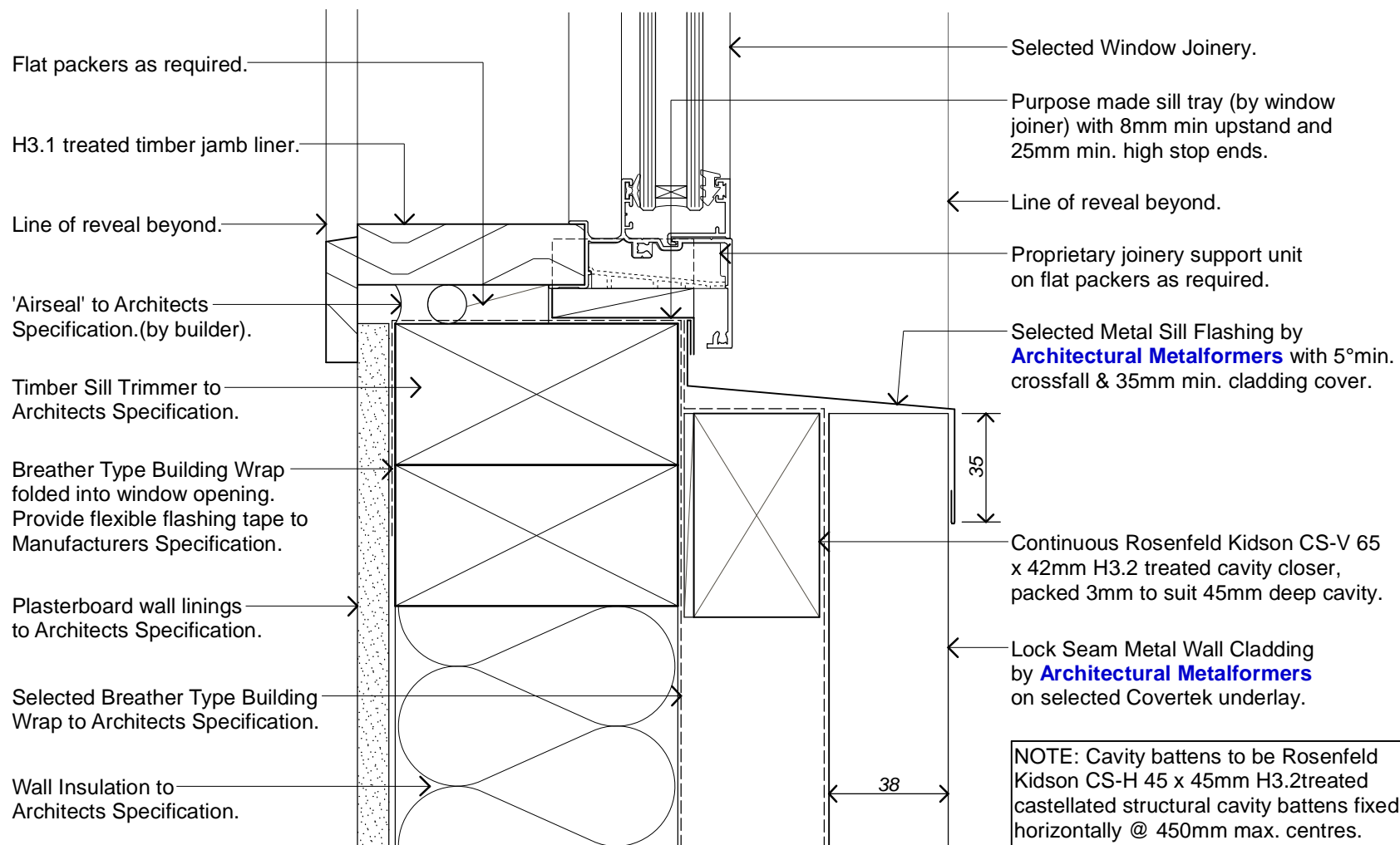
Drawing No.

Revision:

Date: 2016

LS-03

A



**architectural
metalformers**



smart tray™ Roofing & Cladding

Profile Type:

**Lock Seam Wall
Sill Detail**

Scale: 1:2

Drawing No.

Revision:

Date: 2016

LS-04

A

Wall Insulation to Architects Specification.

Plasterboard wall linings to Architects Specification.

Timber Wall Framing to Architects Specification.

Selected timber skirting to Architects Specification.

Selected D.P.C. to Architects Specification.

Holding down bolt to Architects Specification.

Concrete floor slab to Structural Engineers Specification.

NOTE: Cavity battens to be Rosenfeld Kidson CS-H 45 x 45mm H3.2 treated castellated structural cavity battens fixed horizontally @ 450mm max. centres.

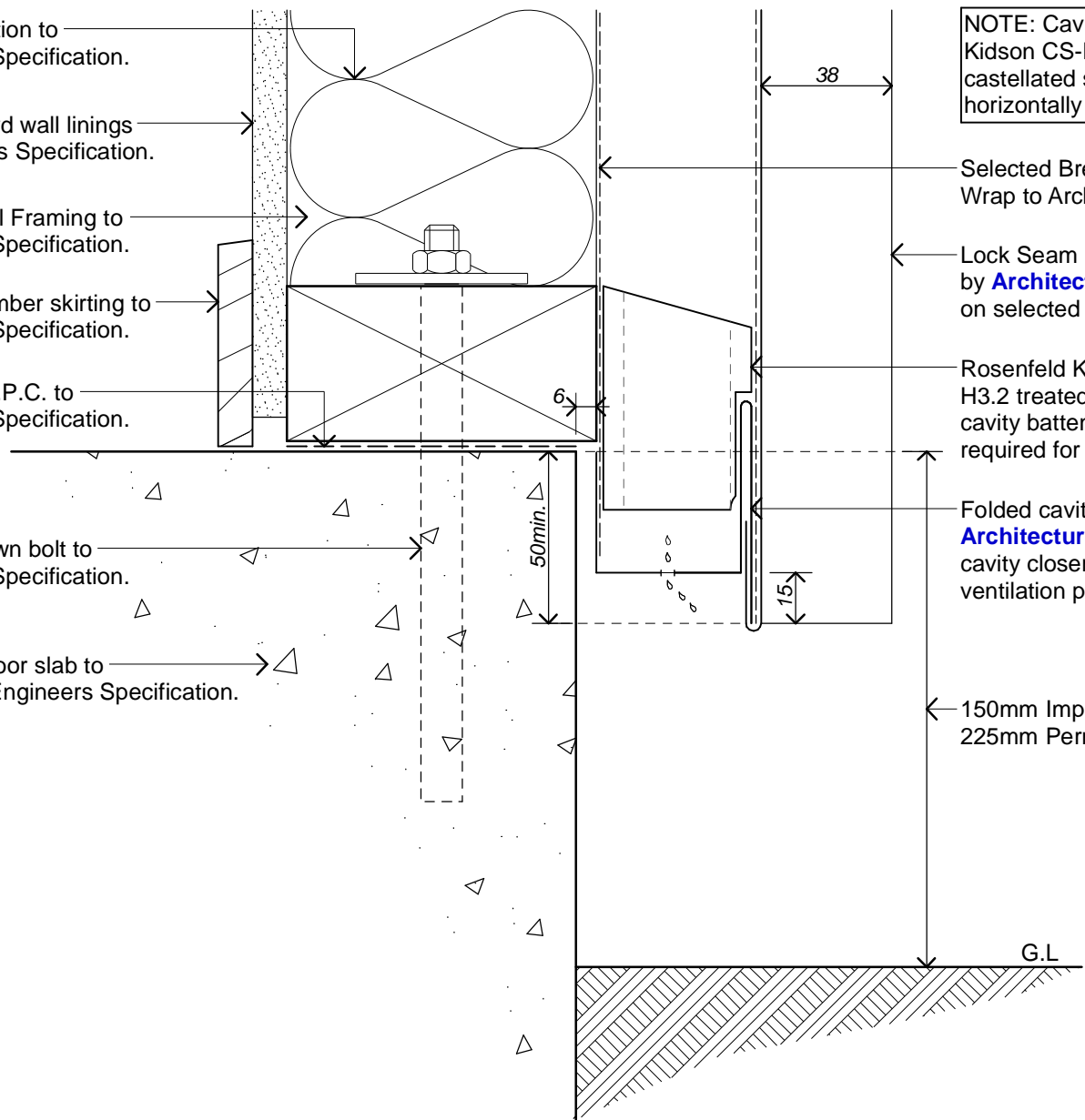
Selected Breather Type Building Wrap to Architects Specification.

Lock Seam Metal Wall Cladding by **Architectural Metalformers** on selected Covertek underlay.

Rosenfeld Kidson CS-H 45 x 65mm H3.2 treated castellated structural cavity batten with 3mm face rebate as required for cladding buildup.

Folded cavity closer/panel starter by **Architectural Metalformers**. Punched cavity closer providing 1000mm² of ventilation per lineal metre.

150mm Impermeable Surface
225mm Permeable Ground



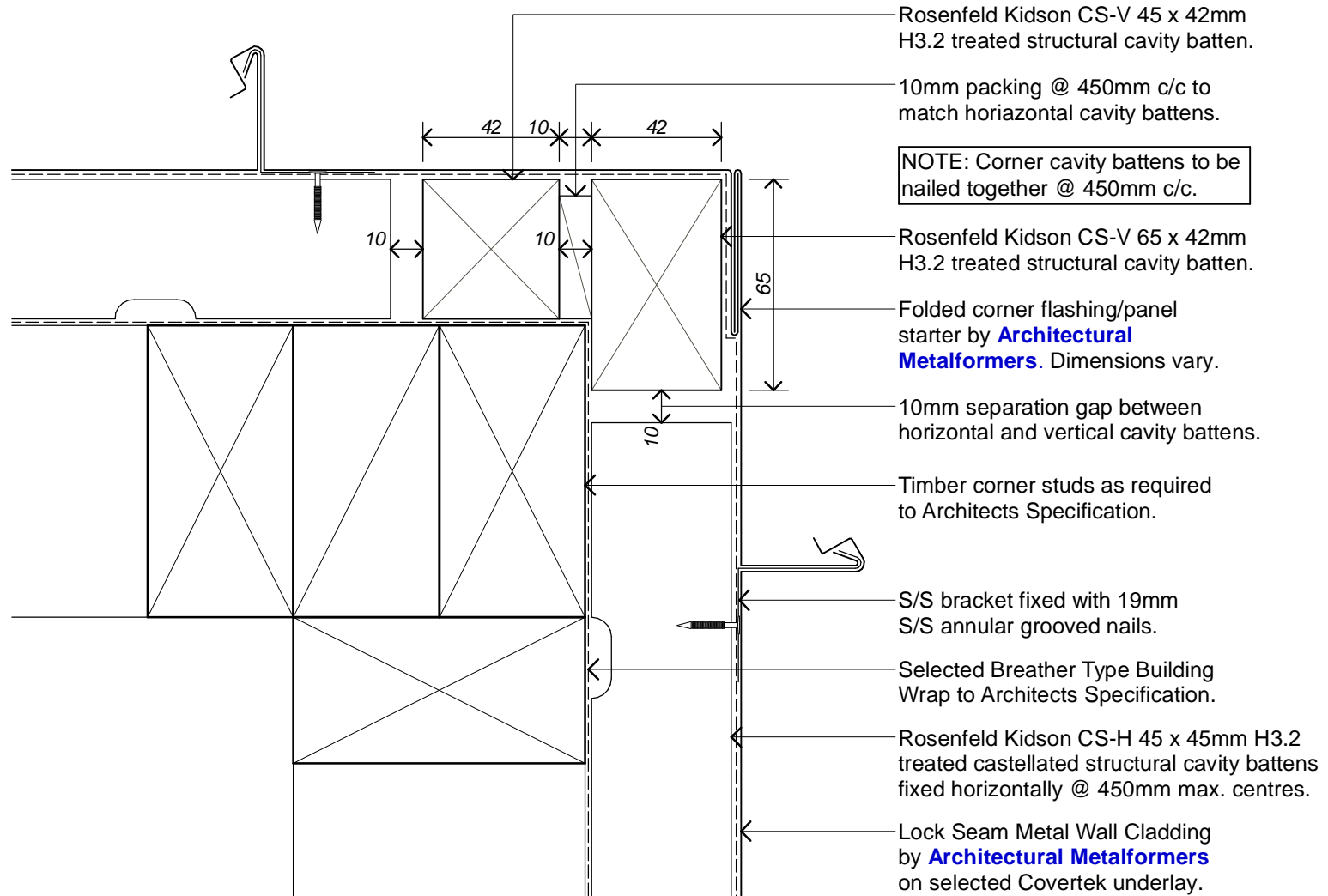
architectural metalformers



smart tray™ Roofing & Cladding

Profile Type:		Lock Seam Wall Cladding Base Detail	
Scale:	1:2	Drawing No.	LS-05
Date:	2016	Revision:	A

Disclaimer: All details are to be used for indicative purposes only and the designer should consult both the MRM code of practice version 2.2/2012, E2 and all other relevant building codes. Details of the supporting mechanisms are indicative only. Compliance of the supporting mechanisms is the responsibility of the designer. Construction detail can vary for wall dadding. The underlay is detailed as a single line for simplicity and is indicative only. Building paper type and method of installation should comply with underlay manufacturers recommendations and NZBC regulations.



**architectural
metalformers**



smart tray™ Roofing & Cladding

Profile Type:

**Lock Seam Wall
External Corner Detail**

Scale:

1:2

Drawing No.

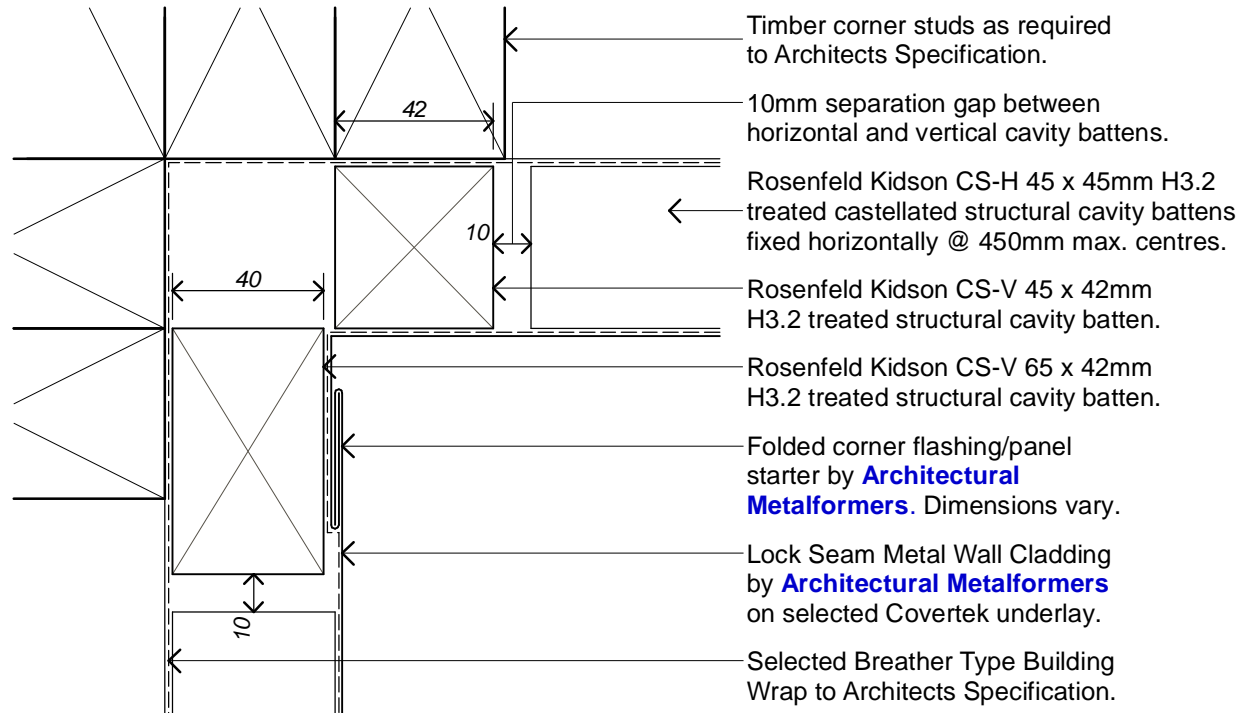
LS-06

Revision:

A

Date:

2016



**architectural
metalformers**



smart tray™ Roofing & Cladding

Profile Type:

**Lock Seam Wall
Internal Corner Detail**

Scale:

1:2

Drawing No.

LS-07

Revision:

A

Date:

2016

Timber Wall Framing to Architects Specification.

Lock Seam Metal Wall Cladding by **Architectural Metalformers** on selected Covertek underlay.

Selected Breather Type Building Wrap to Architects Specification.

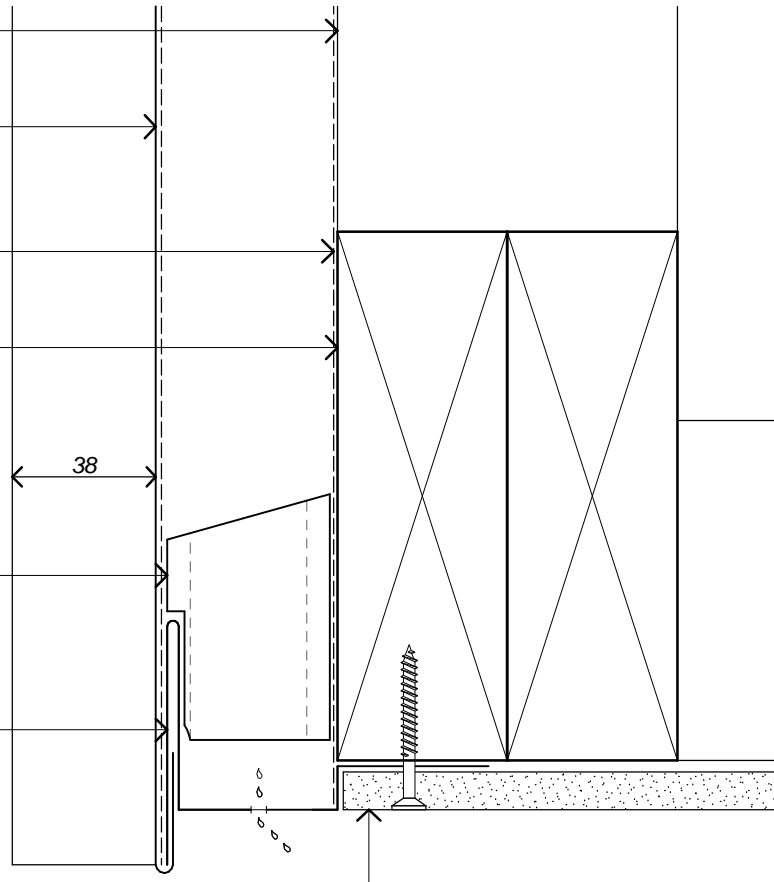
Timber lintel to Architects Specification.

NOTE: Cavity battens to be Rosenfeld Kidson CS-H 45 x 45mm H3.2 treated castellated structural cavity battens fixed horizontally @ 450mm max. centres.

Rosenfeld Kidson CS-H 45 x 65mm H3.2 treated castellated structural cavity batten with 3mm face rebate as required for cladding buildup.

Folded cavity closer/panel starter by **Architectural Metalformers**. Punched cavity closer providing 1000mm² of ventilation per lineal metre.

Selected soffit linings to Architects Specification.



architectural
metalformers



smart tray™ Roofing & Cladding

Profile Type:

Lock Seam Wall
Soffit Drip Edge

Scale:

1:2

Drawing No.

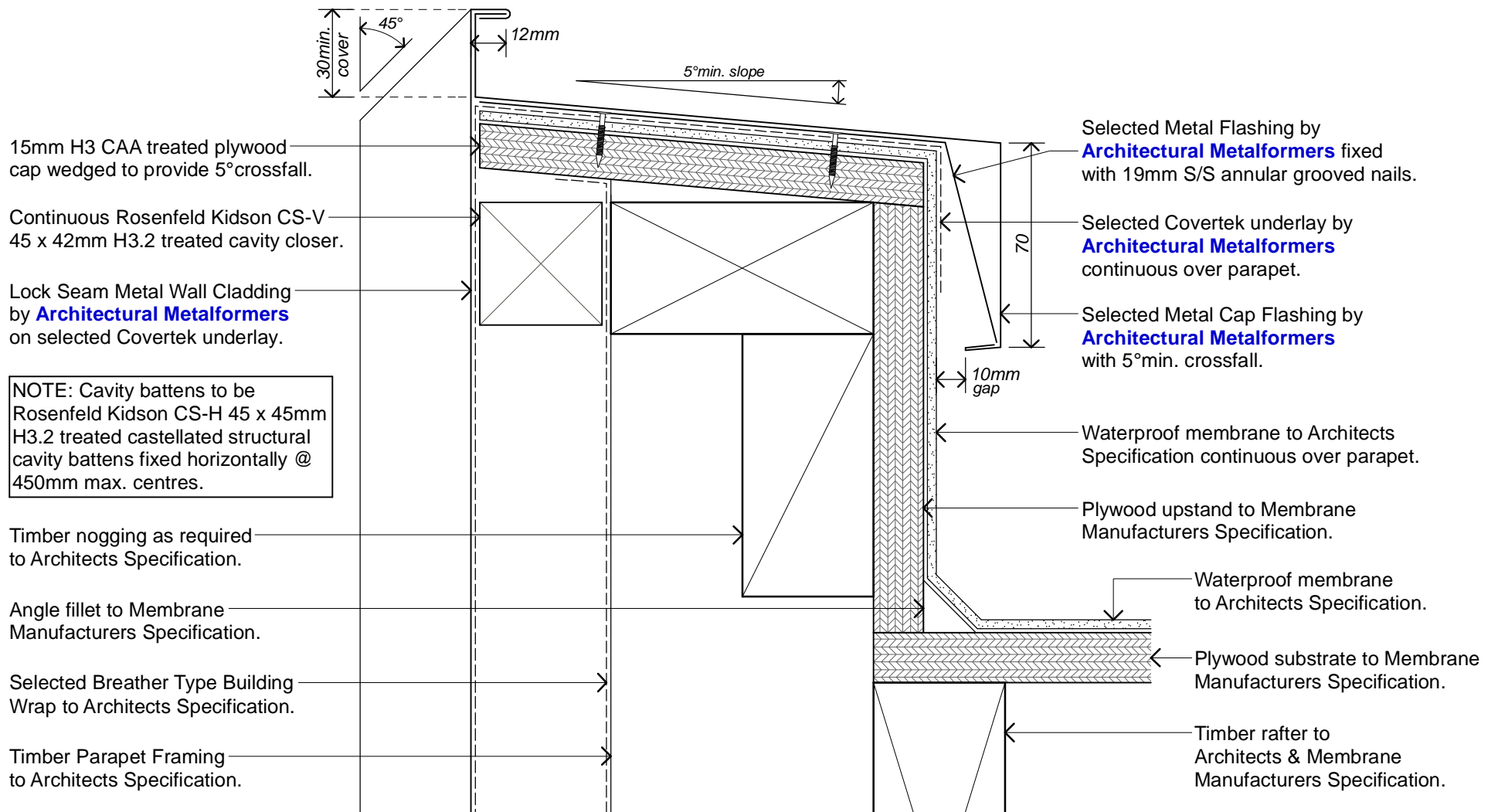
Date:

2016

LS-08

Revision:

A



**architectural
metalformers**



smart tray™ Roofing & Cladding

Profile Type:

**Lock Seam Wall
Parapet Cap**

Scale:

1:2

Drawing No.

Revision:

Date:

2016

LS-09

A