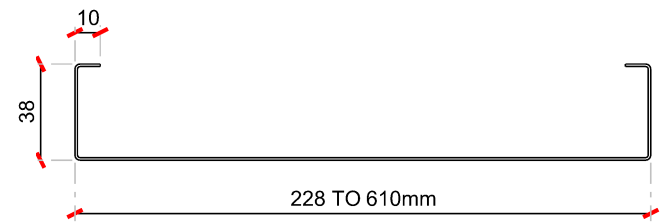
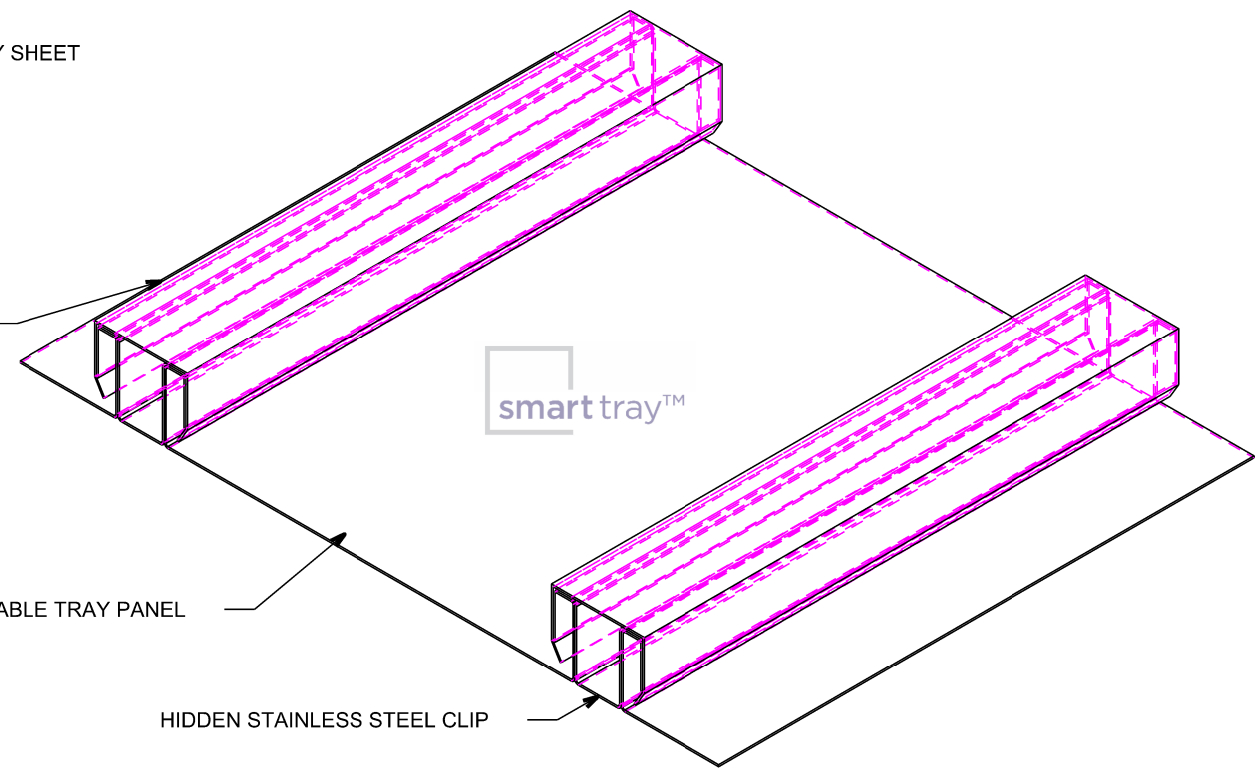


SMARTTRAY BATTEN CAP



SMARTTRAY STANDING SEAM BATTEN CAP

DATE: Sept 2012

N.T.S

P: 09 269 0966

0800 50 1996

www.archform.co.nz



architectural
metalformers