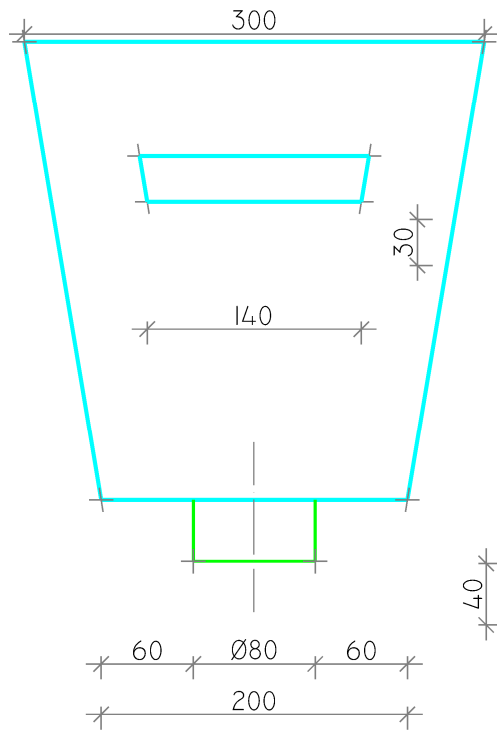
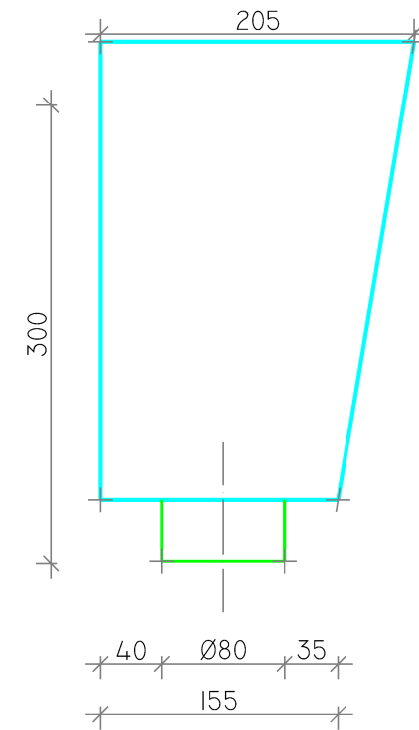


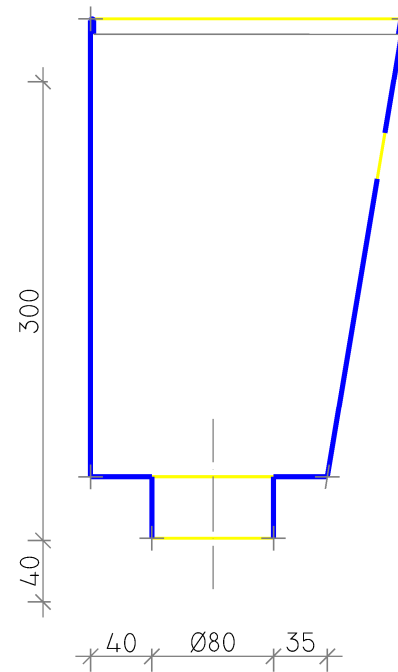
FRONT VIEW



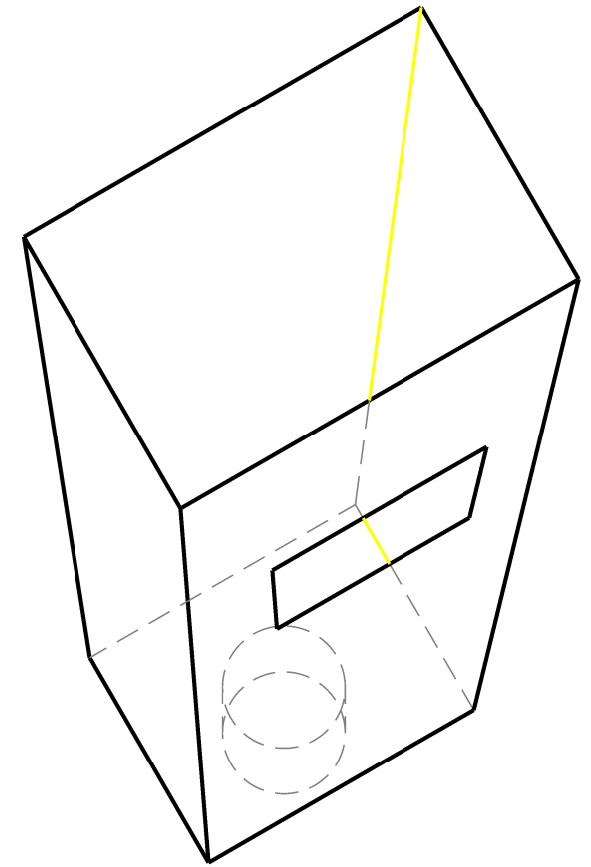
PLAN VIEW



SIDE VIEW



SECTION



ISOMETRIC VIEW