

Features & Specification

NeoChiller[™]



The under-bench NeoChiller[™] serves filtered chilled drinking water.

NeoChiller[®] is a compact chiller unit that fits neatly beneath your benchtop. It filters water from the mains supply through the InSinkErator easy-change water filter, removing impurities to ensure a fresh, pure taste. The chiller unit then chills the water to the perfect drinking temperature, straight from the tap.

- Small, compact domestic chiller unit
- Designed for easy installation under the kitchen sink
- Dispenses up to 7 litres per hour of cold, still water between 3°C and 10°C
- Filtered to remove impurities and odours, without affecting the water's natural mineral content
- CE approved
- Ice-bank cooling technology for optimum performance

Please note these products are for domestic use only and the warranty is void if installed in a commercial application.

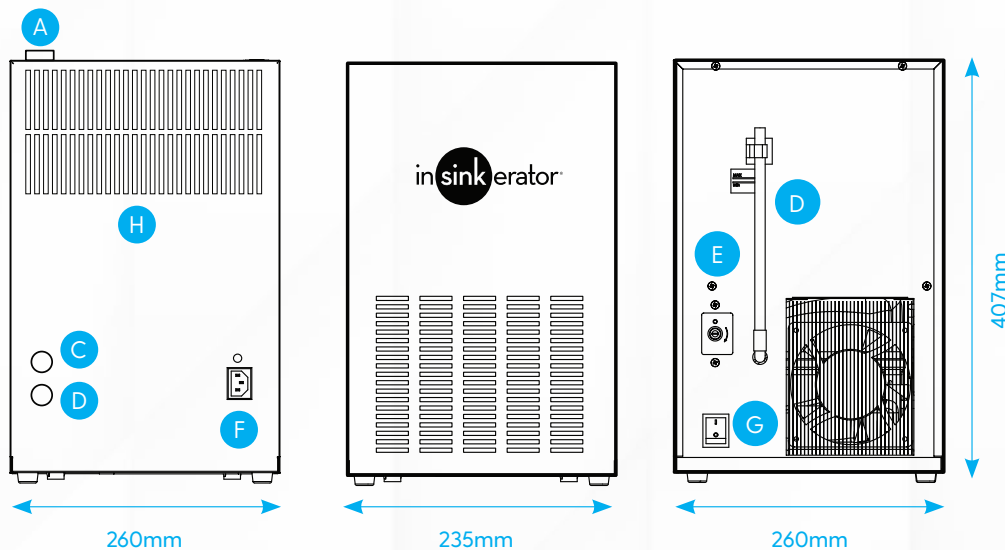
 ITALIAN TAPWARE



NeoChiller® Specifications

NeoChiller™

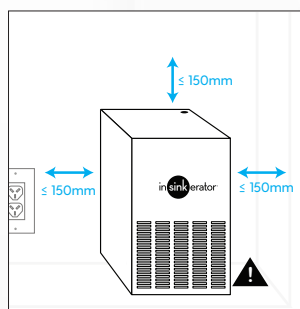
Dimensions



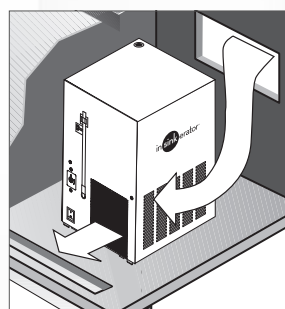
Unit overview

- A. Cold water outlet
- B. Cold water inlet
- C. Ice bank fill
- D. Level pipe of ice bank
- E. Thermostat
- F. IEC connector for power cord
- G. On/off switch
- H. Fan grilles

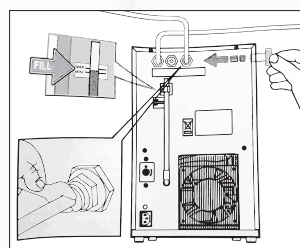
Placement guide



Placement guide with minimum clearances for NeoChiller installation.

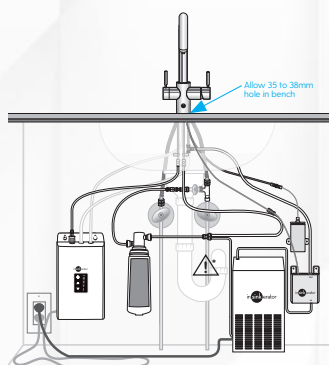


It is recommended to have cabinetry vented to create adequate air-flow.



IMPORTANT NOTICE

Remove red pug from ICE BANK FILL port (C). Connect plastic tube to this port on the other end to the Y fitting (smaller side). Turn on water supply and fill ice bank use fill marking. When full remove plastic tube from chiller and insert plug.



Specifications

Model CWT150	Rated input 155W
Cooling performance	7L/hr 3L continuously
Dispensed cold water temperature	3-10°C with 20°C incoming water and 25°C room temperature
Dispensing	40 sec/L
Condensation	Ventilated blowing
Thermostat	Mechanical
Compressor	1/12HP
Ice bank	2L capacity, 1kg of ice
Inlets/outlets	Water inlet Ø6.35mm (or 1/4"), water outlets Ø6.35mm (or 1/4")
Filter	Not included.



The maximum pressure of water entering the NeoChiller must not be more than 3 Bar/43.5psi.

For more information contact Parex Industries Limited on Tel: 0800 200 510 or email: info.parex@emerson.com

InSinkErator® may make improvements and/or changes in the specifications at any time, in its sole discretion, without notice or obligation and further reserves the right to change or discontinue models. © 2020 InSinkErator®, InSinkErator® is a business unit of Emerson Electric Co. All Rights Reserved.

