



ISOLATION DRIVE TECHNOLOGY

Installation Manual for BR500

Important Notice

- **Do not install this appliance if you find it damaged!**
- Please inspect this product upon receipt.
- Any damage or defects **MUST** be reported within 24 hours otherwise no claim will be recognized.
- If this product is installed damaged, neither the supplier, nor retailer, will be responsible for the costs associated with the repair, replacement or removal and re-installation of the appliance.
- All enquiries regarding these products should be forwarded to our International Agents as listed.
- The manufacturer cannot be held liable for damage resulting from incorrect or improper user or operation.
- Schweigen reserves the right to change the specification without notice.
- Roof flashing (Dektite), duct tape and support straps are not included.
- Please supervise the elderly the infirm and children when using this appliance this refers persons (including children) whose physical, sensory or mental capabilities; or lack of experience and knowledge prevents them from using the appliance safely without supervision or instruction. Children should not play with the appliance, it is not a toy.

schweigen
HOME APPLIANCES

Schweigen Pty. Ltd.
P.O. Box 471 Maylands WA 6051
Ph: 1300 881 693 **Fax:** 1300 881 639

This manual is for the installation of the motor used in the ISODRIVE systems after the canopy/ range hood or bathroom extraction grill has been mounted on the wall or ceiling. (Refer to canopy/range hood or bathroom extraction unit installation manual)

Motor Features

- Universal mounting all position with IPX4 degree of weather protection
- Patented anti water intrusion system.
- Acoustic dome with super quiet, long vane, backward curved centrifugal fan.
- Airflow is dependant on installation and the ducting used.
- Using a single 150mm flex duct run you should attain 650m³/hr depending on the ducting installation.
- The use of a smaller 125 pipe would result in a loss of airflow.
- Simple installation: - Mounts onto a 100mm PVC pipe for ultimate strength and allows for easy Dektite roof sealing.
- Industrial quality motor and fan made in Germany and rated at 40,000 hours.
- Motor is a high efficiency PSC type and rated at 62W, costing around the same as a 60W light globe to run.
- WARRANTY 10 YEARS return to manufacturer. Covers faulty manufacturing or components. It does not cover normal wear and tear.

General Notes on Installation and Use

This fan unit is designed to be installed using 100mm PVC pipe as the initial connection duct to the fan module, and is supplied with a 100mm PVC pipe to 150mm flexible duct bell-mouth adaptor.

This fan is suitable for connection to multiple duct runs with a minimum inlet area of 11000 mm². Ducting runs should be more than 2 metres away from the unit and no more the 6 metres (check with supplier if longer duct length required). Flexible ducting must be extended sufficiently to present a smooth air passage with bends of at least the radii of twice the diameter of the duct.

Warning: The rangehood must not be ducted into a wall cavity or a ceiling space, where a build up of grease can occur and become a potential fire risk.

Note: Fan module and dual foil flexi-duct are acoustically matched. Use of semi-rigid or rigid ducting will result in increased noise and void warranty. See installation instruction notes 'Why flexi-duct'.

Recommended Installation Distance

650 motor: Minimum recommended 3 metres.

Note: Installation closer than these distances will result in higher noise level. Maximum duct length 6 metres. Check with supplier if longer length is required. Do not reduce the duct size at any time and avoid sharp bends.

Minimum Mounting Height

This fan unit is intended for mounting at a minimum height of 2.1 metres (measured to the lower part of the fan impeller) above a floor or the ground.

Avoidance of Back Flow

Care should be taken to avoid the back flow of gases into the room from the open flue of gas or other open fire appliances.

Safety of Children

This fan is not intended for use by young children or infirm persons without supervision.

Replacement of supply cord

If the supply cord is damaged, it must be replaced by a service agent or suitably qualified person in order to avoid a hazard.

Why Flexi-duct

Some internet sites strongly recommend the use of rigid ducting over fully flexible ducting. This may well be the case with conventional rangehoods with in hood fans.

Schweigen's unique Isodrive system works in the opposite way to conventional rangehoods, pulling air through the hood and acoustically matched ducting producing almost silent high volume flow. The use of a complete rigid or semi-rigid ducting system will allow an organ piping effect to occur; like a didgeridoo where a noise is produced at one end of a hollow rigid pipe and the noise is amplified out the other.

The Isodrive system puts the noise outside the house and it needs to be kept there.

Warning: Installation without the use of at least the minimum recommended length of acoustically matched flexi-ducting in the system will void performance expectations. Any installation problem must be reported to Schweigen. Call outs relating to incorrect installation will result in a service fee direct to the customer. Schweigen takes no responsibility for problems caused by faulty installation. Faulty installation may void warranty. A preferred installer list can be obtained from Schweigen website www.schweigen.com.au or call **1300 881 693**.

Roof Installation (Recommended duct length: 650 motor - 3m)

Mount the 100mm rigid PVC pipe securely to the beams, trusses or other appropriate structures, refer figure 1.

The pipe should be mounted either vertical or perpendicular to the roof cladding with the roof penetration being sealed using a Dektite or other sealing device.

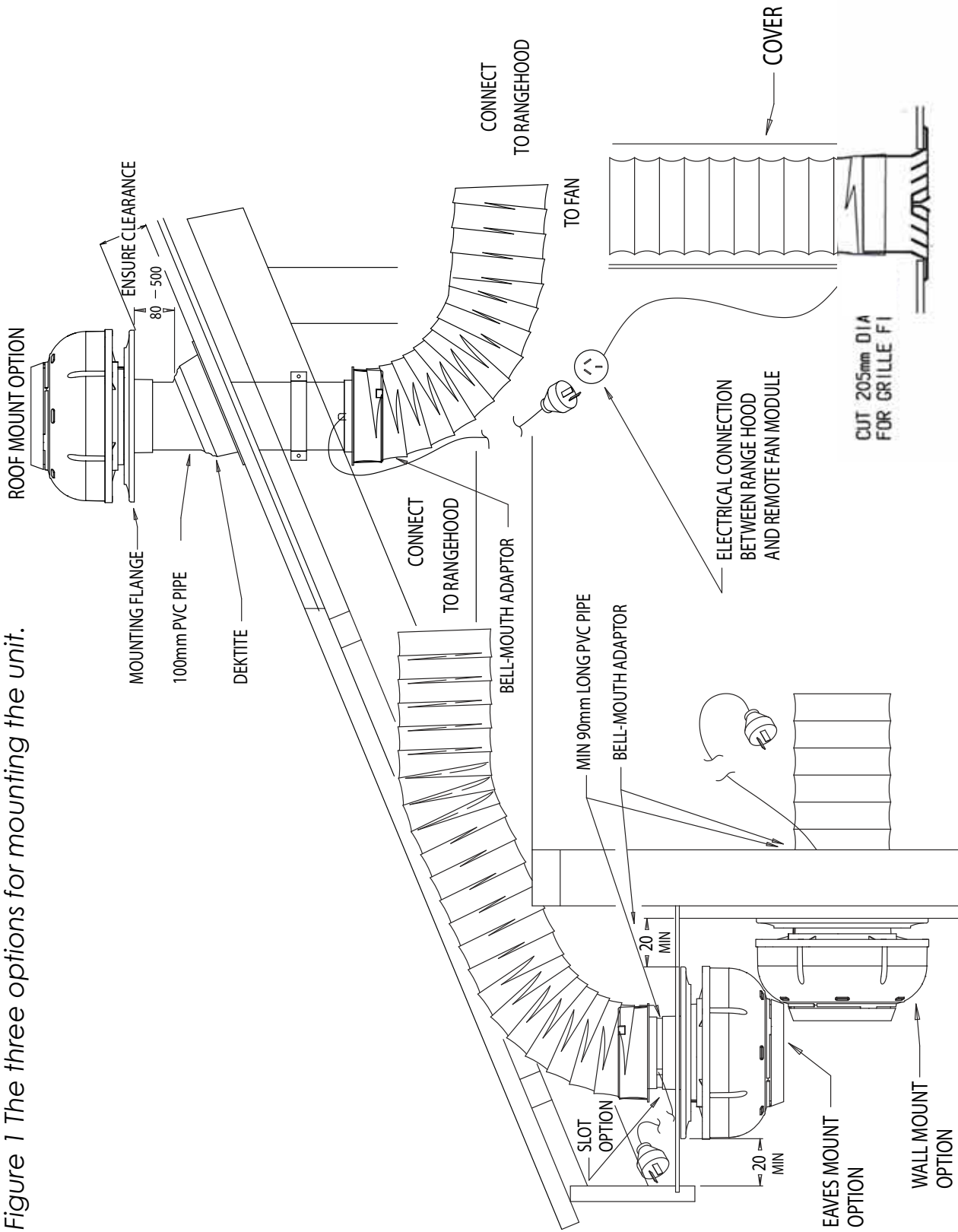
Ensure that the pipe protrudes at least 80mm past the top of the Dektite, checking that the mounting flange clears the roof cladding at upper edge as shown in figure 1.

Maximum recommended protrusion is 500mm. Fit mounting flange, refer figure 1, to pipe using silicon sealant, then tape in position until sealant has set.

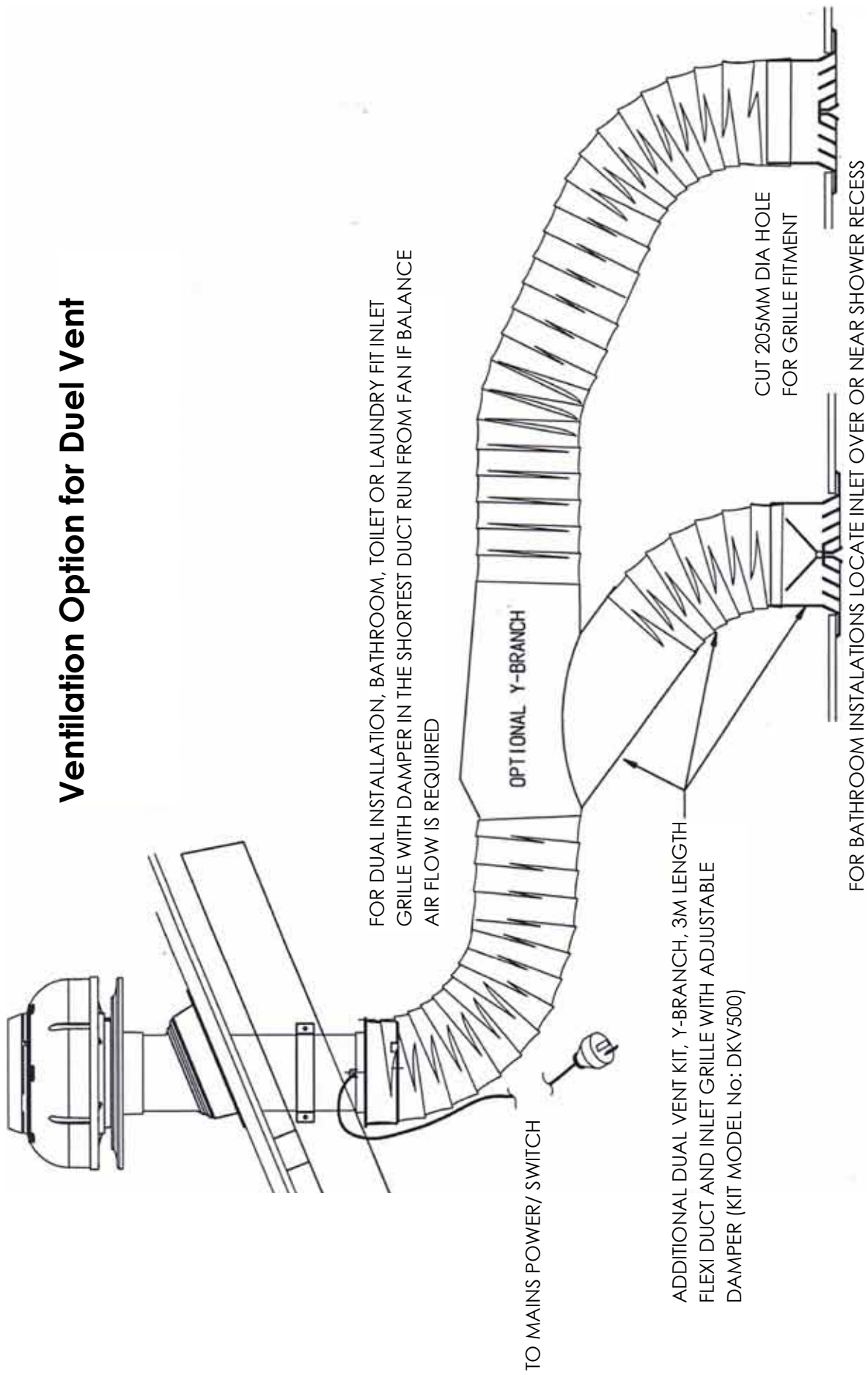
Pass power cord and plug through mounting flange and pipe, then out the slotted PVC pipe for connection to the female plug coming from the canopy/rangehood or authorized switching mechanism in bathroom application.

Fit fan module to mounting flange by placing in position, rotating clockwise to engage bayonet fingers then secure by screwing in locking screw (while holding fan module firmly in the fully clockwise position).

Figure 1 The three options for mounting the unit.



Ventilation Option for Duel Vent



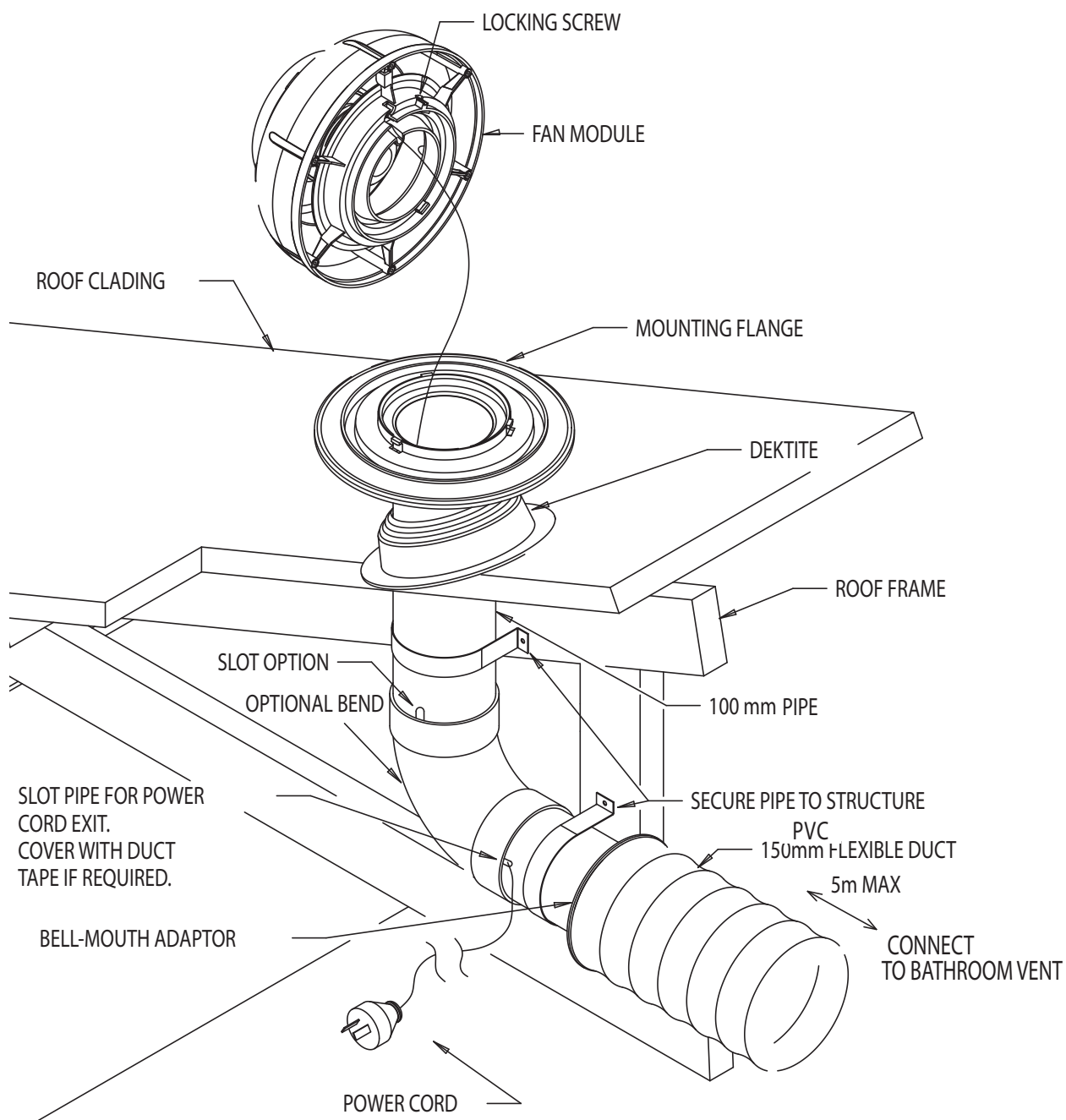


Figure 2

IMPORTANT PLEASE TAKE NOTE:

For Flexible ducting instructions refer to Page 4 and 8.

Eaves Installation

After ensuring sufficient clearance exists for the mounting flange and ducting, refer figure 1, cut a circular hole 165mm Ø, maintaining adequate clearances. The eaves sheeting should be reinforced.

Pre-drill mounting flange recess. Refer figure 3.

If access to the eaves space is restricted, before fixing mounting flange to eaves, preassemble mounting flange, PVC pipe, bell-mouth adaptor and flexi-duct then feed up into roof space. Remember to run power cord through the assembly and out the slotted PVC pipe wall, refer figure 3.

Fit fan module to mounting flange by placing in position, rotating clockwise to engage bayonet fingers then secure by screwing in locking screw (while holding fan module firmly in the fully clockwise position).

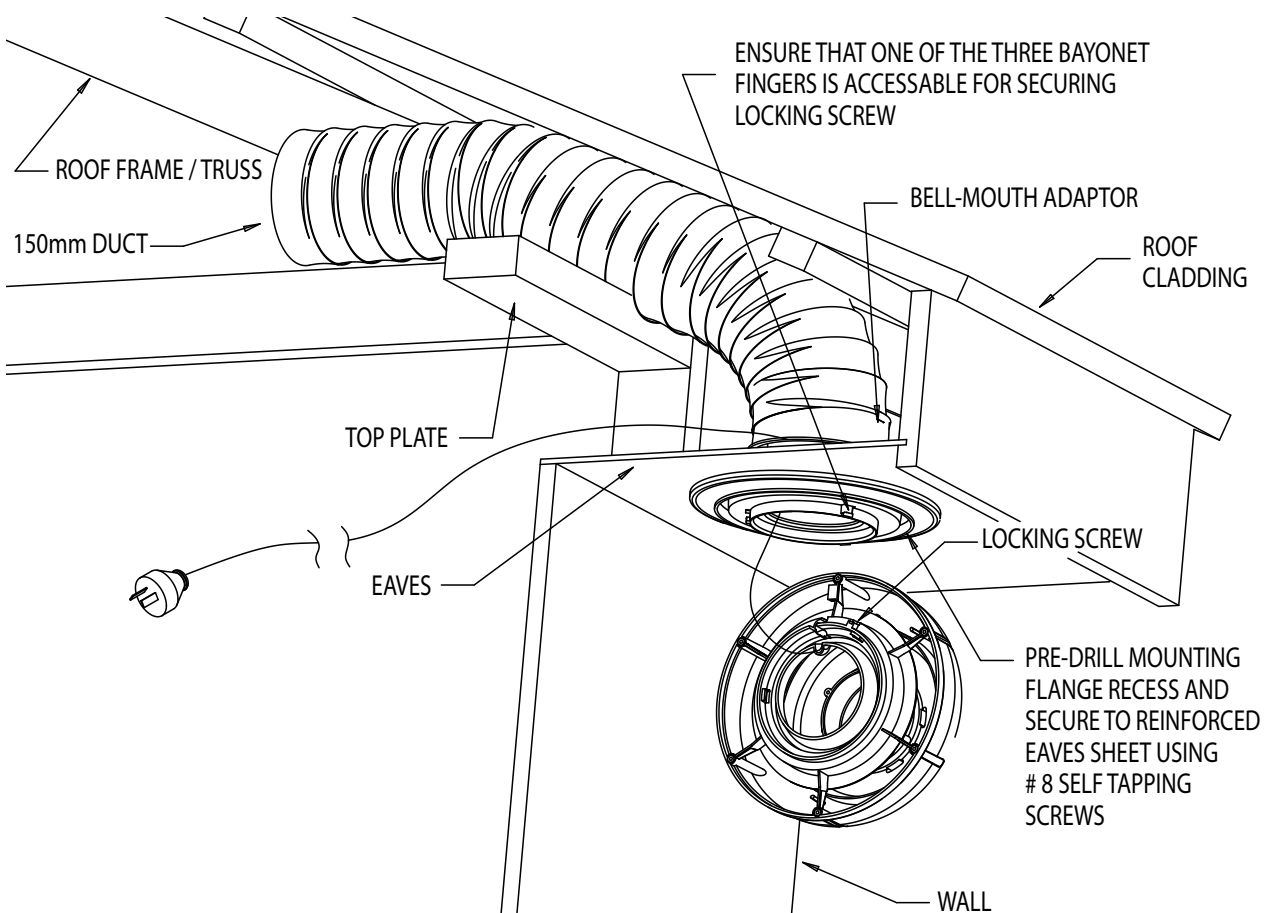


Figure 3

IMPORTANT PLEASE TAKE NOTE:

For Flexible ducting instructions refer to Page 4 and 8

Wall Installation

The installation should be similar to eaves mounting if access to the inside is limited, but if unrestricted, a smaller 120mm duct hole may be used with the ducting being fitted after attachment of the fan module. Refer to EAVES INSTALLATION figure 1 and 3.

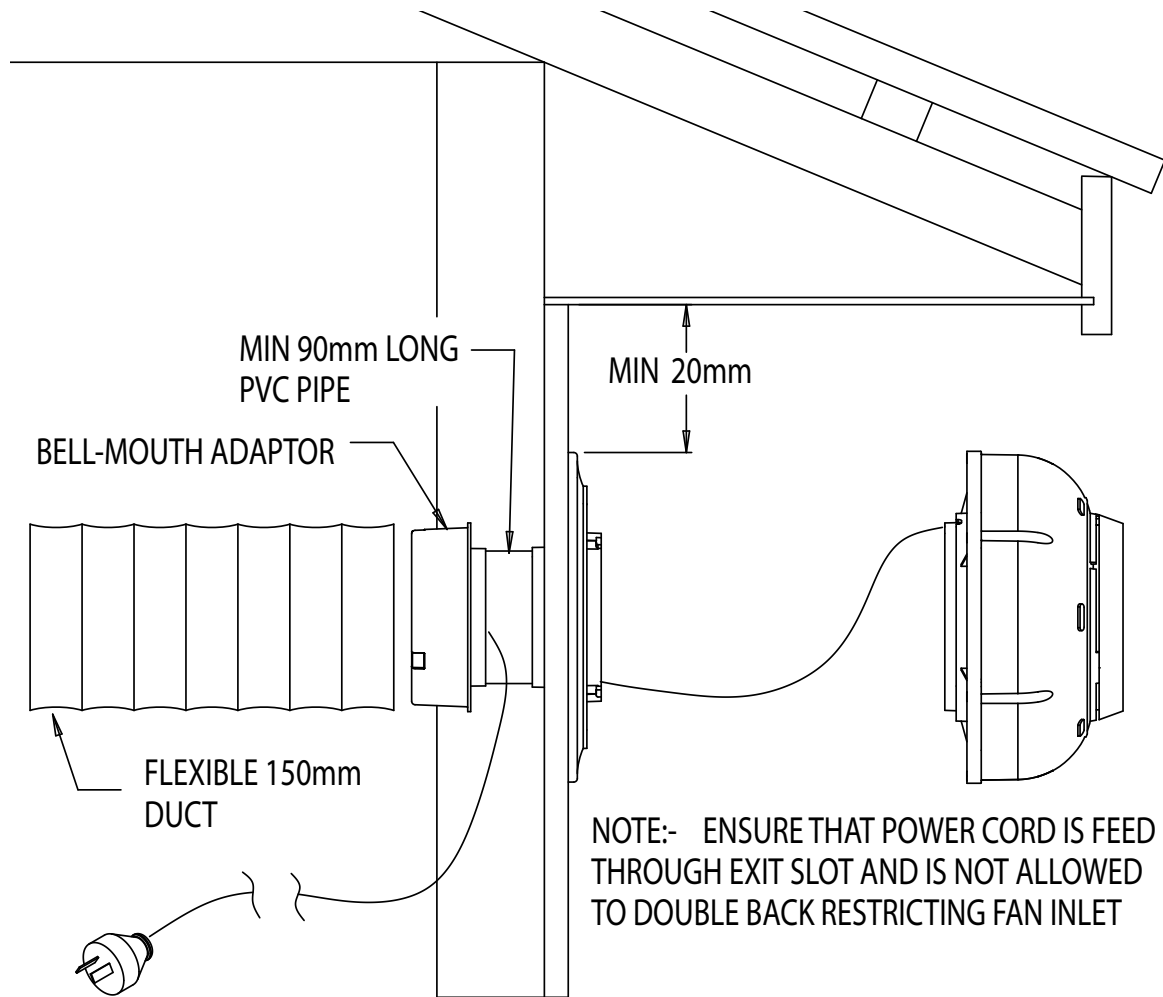


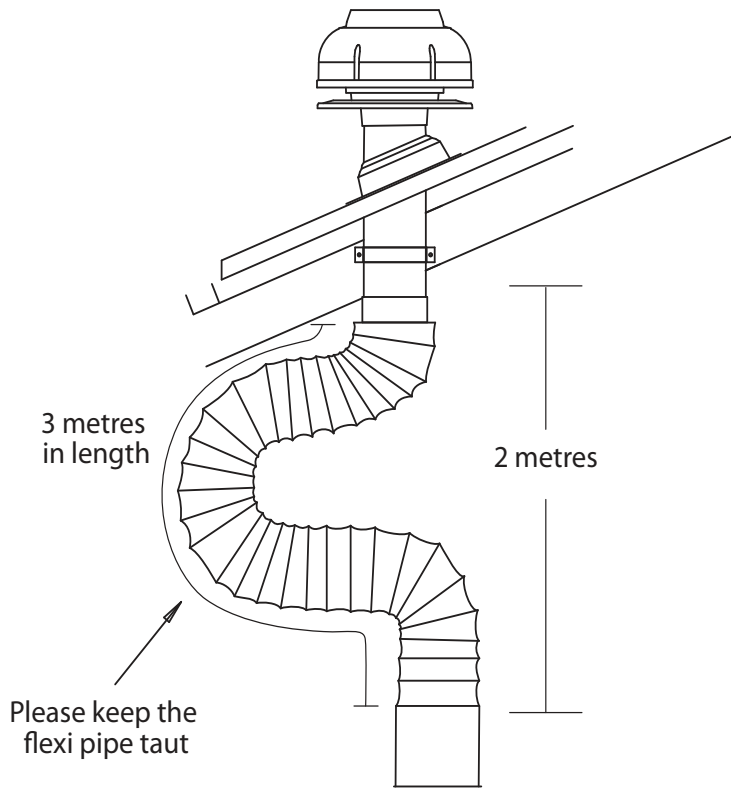
Figure 4

IMPORTANT PLEASE TAKE NOTE:

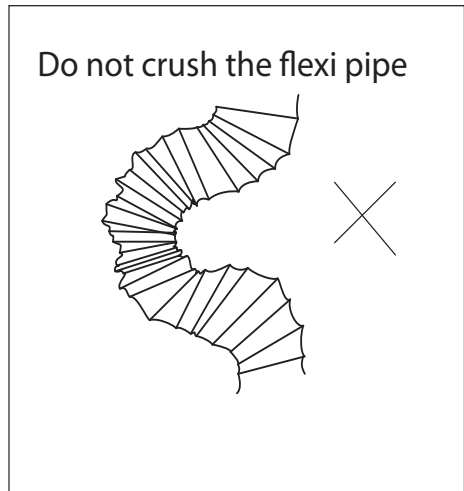
For Flexible ducting instructions refer to Page 4 and 8

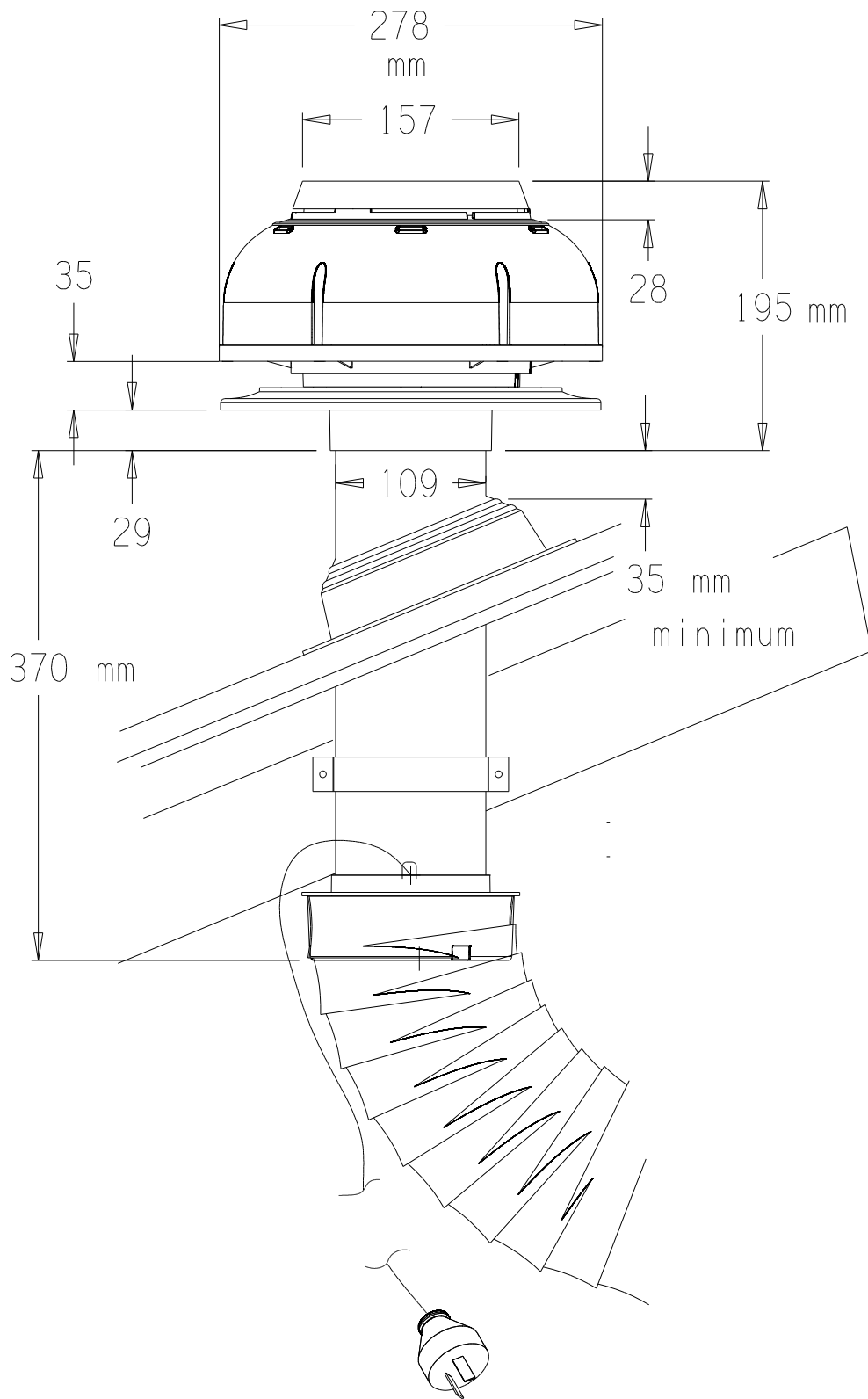
IMPORTANT PLEASE TAKE NOTE:

Flexible ducting must be fully extended and cut to the required length upon installation. Maximum fan performance will not be achieved unless the ducting is fully extended. Failure to fully extend ducting results in a smaller air passage and lower airflows. Incorrect installation may reduce airflow or increase noise levels. Call outs relating to incorrect installation will result in a service fee directed to the customer. Schweigen will take no responsibility for problems caused by faulty installation. Installation should be done by a qualified technician. A preferred installer list can be obtained from schweigen website www.schweigen.com.au.



In shallow roof spaces
extend flexi pipe horizontally





WARRANTY (see insert for more information)

Isodrive motor has a 10-Year replacement product warranty. This is a change over warranty. The consumer is responsible for any charges associated with removal of the faulty unit and installation of the new unit. The customer is also responsible for any freight charges incurred in this change over process.

WWW.SCHWEIGEN.COM.AU or **CALL 1300 881 693**

