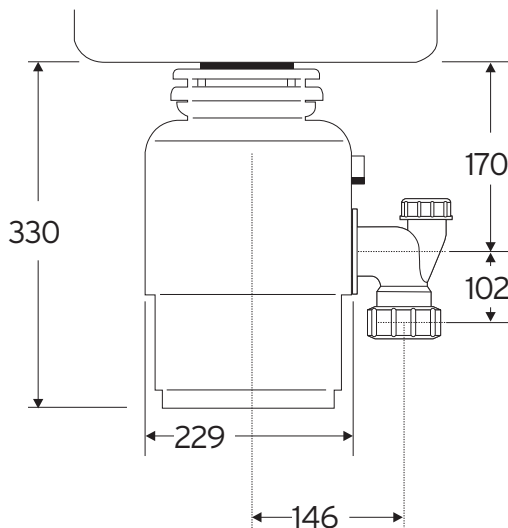




## DIMENSIONS (MM)



# EVOLUTION<sup>®</sup> 200

TECHNOLOGY

The Evolution 200 with its three stage grind technology & SoundSeal™ Plus, makes it our most powerful & quietest model. Don't worry about what you can and can't grind... the Evolution 200 grinds all food waste.

## FEATURES



SoundSeal Plus™  
Evolution Ultra-Quiet  
Technology



0.75HP Dura-Drive™  
Heavy Duty  
Induction Motor



MultiGrind Plus™  
3 Stage Stainless  
Grinding System with  
Auto Reverse Action



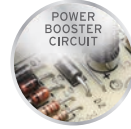
QuickLock™  
Sink Mount for  
easy installation



Largest Capacity  
(1180ml) Stainless  
Steel Grinding  
Chamber



10 Year Warranty



Micro Processor delivers  
more power to boost the  
grinding capability.



Made in the USA



Built-in Air Switch  
(33mm hole for button)

## SPECIFICATIONS

Type of Feed	Continuous	Sound Technology	Anti-Vibration Mounting Technology and Tailpipe Quiet Sink Baffle Multi-Layer Sound Insulation
On/Off	Control Wall Switch or Built-In Air Switch	Plug	Stainless Steel Strainer Basket and Plug
Power Supply	Single Phase	Grind Chamber Capacity	1180 ml
Reversing	Auto-Reverse Grind System	Motor Protection	Manual Reset Overload
Time Rating	Intermittent	Average Water Usage	Approximately 4.0 L per Person per Day
Lubrication	Permanently Lubricated Upper & Lower Bearings	Average Electrical Usage	3-4 KWH per Annum
Shipping Weight	11.6 kg (Approx.)	Drain Connection	1-1/2" (3.81 cm) Anti-Vibration (Hose Clamp)
Unit Finish	Stainless Steel Light Grey TEN-1706	Dishwasher Connection	Yes
Overall Height	344 mm		
Grind Technology	3-Stage Grind Technology Power Booster Circuit with Microprocessor		
Volts/Hz	HP	RPM	
220-240V, 50 Hz	.75	1425	

[insinkerator.co.nz](http://insinkerator.co.nz)

For more information contact Parex Industries Limited on Tel: 0800 200 510 or email: [info.parex@emerson.com](mailto:info.parex@emerson.com)

InSinkErator reserves the right to change product specifications without prior notice. The disposer described in this leaflet is for household use; usage in commercial situations is not covered by warranty.

**in sink erator**<sup>®</sup>