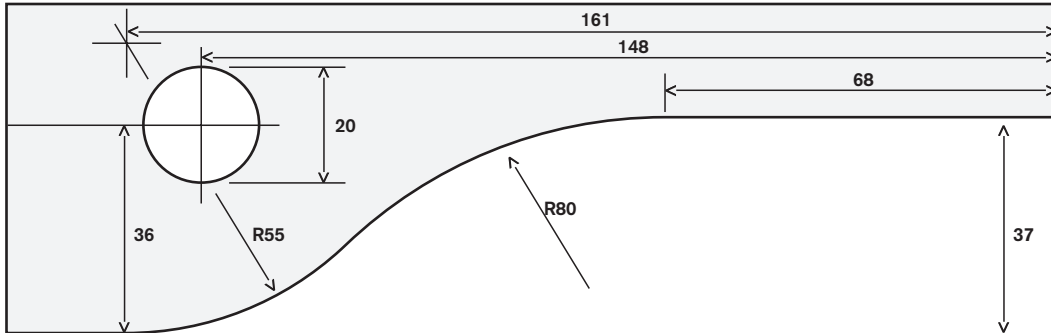


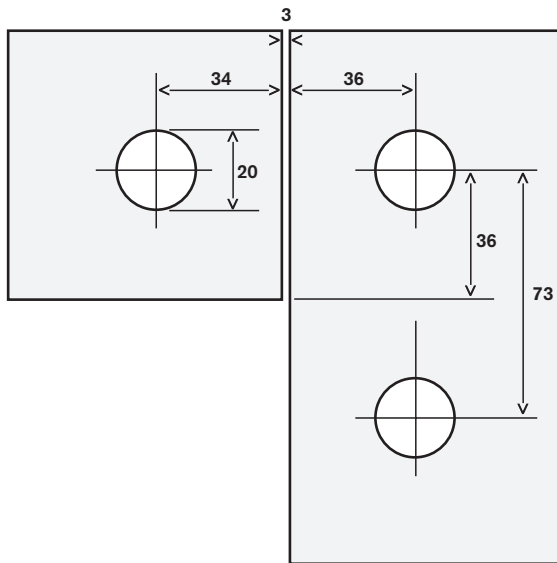
FRAMELESS COMMERCIAL HARDWARE

Patch Fitting Glass Preparation Drawings

Glass Cut Out detail for MP10, MP20, MP22 and MP34*



Glass Cut Out detail for MP61



***Important Note**

Sizes 161, 148 and 68 are based on 3mm clearance between the overpanel and the vertical wall/mullion. Therefore if the overpanel is to fix into a recessed or wall mounted channel then these sizes must be adjusted to suit.

Glass Cut Out detail for MP70

