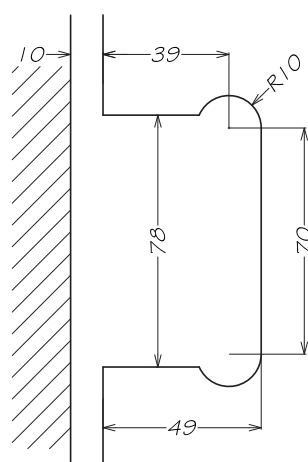




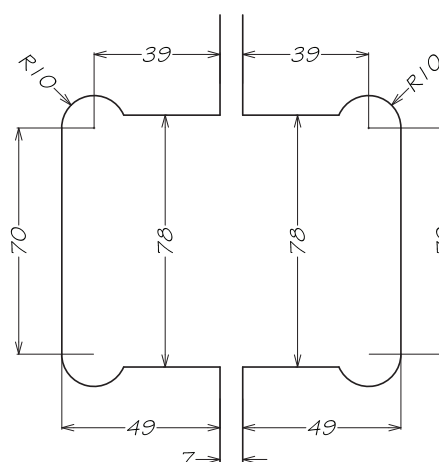
Merchant Price List

FRAMELESS COMMERCIAL HARDWARE

Malibu Hydraulic Door Hinges : Cut Out & installation details



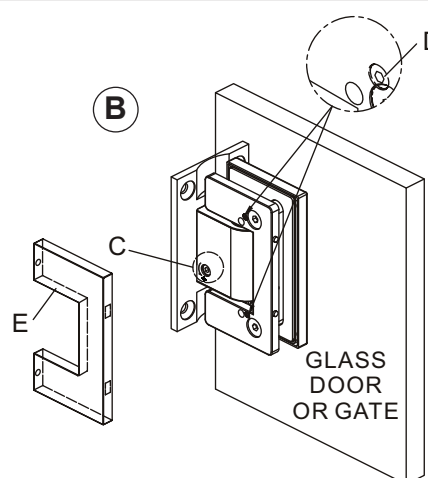
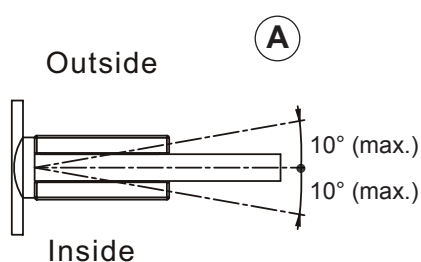
Wall to Glass Cut Out



Glass to Glass Cut Out

Door alignment

1. Remove covers (E)
2. Loosen allen screws by 360° (D)
3. Adjust to required angle and retighten allen screws (D)
4. (C) is slotted speed valve.



These self closing hydraulic door hinges are designed to close doors up to 900mm wide and a 65kg in internal installations. They are suitable for double or single action applications and are available in (HO) Hold Open or (NHO) Non Hold Open. The hinges are available in both glass to glass and glass to frame/wall models and both models are Non Handed, meaning they can be hung on either side of the door opening.

Gaskets are provided so the glass door and side panels can be 10mm or 12mm toughened glass.

1. Remove clip on covers and install the hinges. Ensure all clearances are correct.
2. If door requires alignment, loosen allen keys on both hinges by 360° as per detail B. Set the door to correct alignment and retighten allen screws.
3. To set closing speed, close slotted screws on both hinges then open both 1/4 of a turn. Then open or close slotted valves to obtain required closing speed. Take care to ensure the valves of each hinge are synchronized so they close at equal speed.
4. Install clip on covers.

Ex Auckland Store. All prices exclude G.S.T.