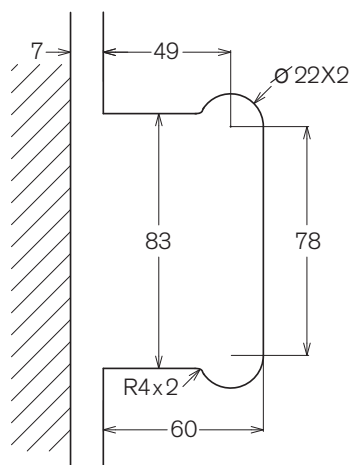


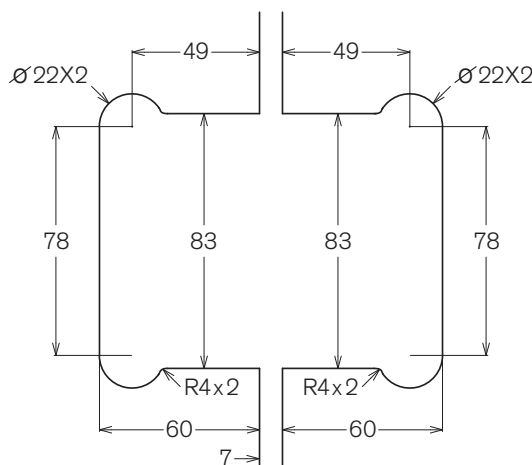
## Merchant Price List

### FRAMELESS COMMERCIAL HARDWARE

## Laguna Hydraulic Door Hinges : Cut Out & installation details



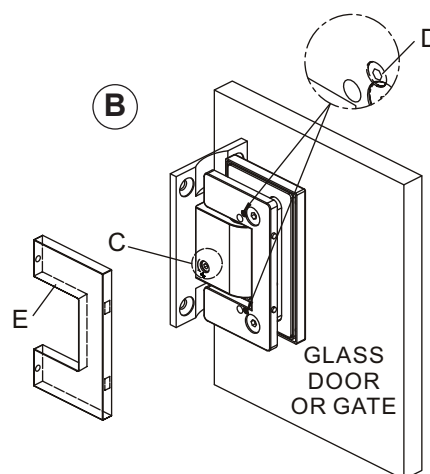
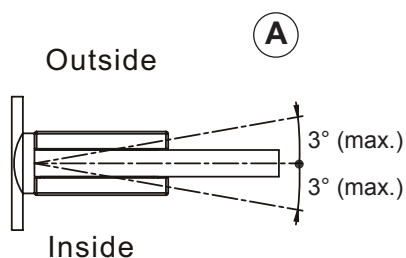
**Wall to Glass Cut Out**



**Glass to Glass Cut Out**

#### Door alignment

1. Remove covers (E)
2. Loosen allen screws by 360° (D)
3. Adjust to required angle and retighten allen screws (D)
4. (C) is slotted speed valve.



These self closing hydraulic door hinges are designed to close doors up to 1000mm wide and 100kg in weight in internal installations.

Hinges available in (HO) Hold Open and (NHO) Non Hold Open. The hinges are available in both glass to glass and glass to wall models and both models are Non Handed, meaning they can be hung on either side of the opening.

Gaskets are provided so the glass door and side panels can be 10mm or 12mm toughened glass.

1. Remove clip on covers and install the hinges. Ensure all clearances are correct.
2. If door requires alignment, loosen allen keys on both hinges by 360° as per detail B. Set the door to correct alignment and retighten allen screws.
3. To set closing speed, close slotted screws on both hinges then open both 1/4 of a turn. Then open or close slotted valves to obtain required closing speed. Take care to ensure the valves of each hinge are synchronized so they close at equal speed.
4. Install clip on covers.

Ex Auckland Store. All prices exclude G.S.T.