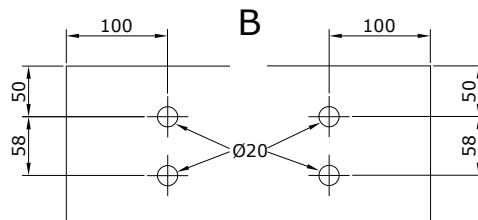
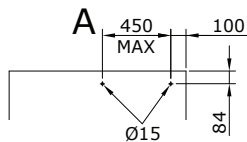
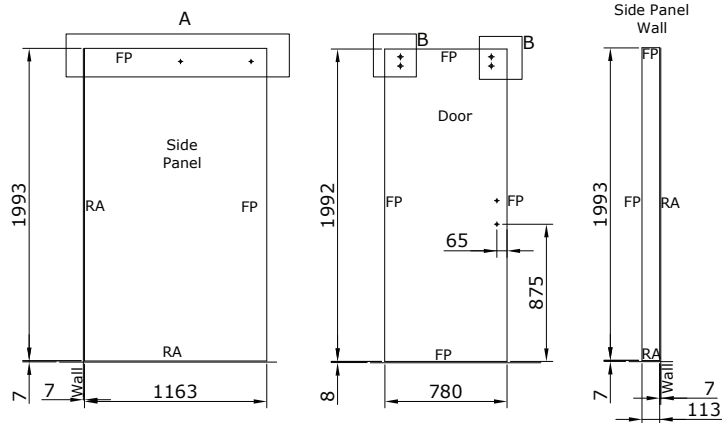
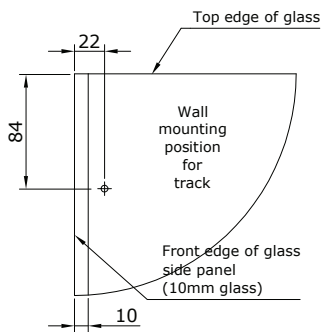
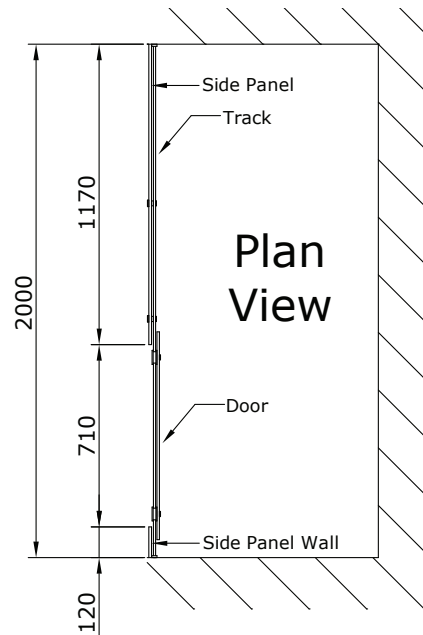
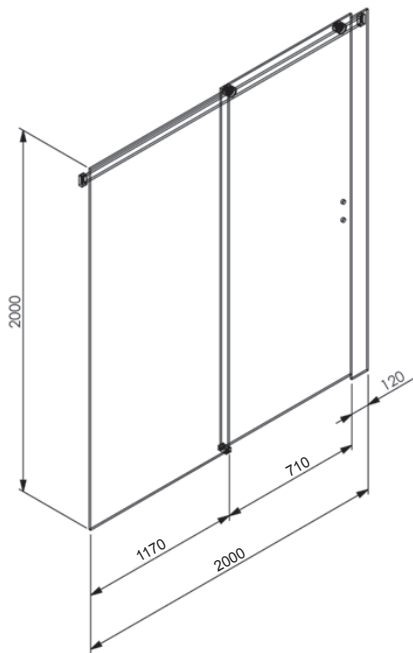


**Set Out Details**

SHOWER SETOUT EXAMPLES

**Sliding Shower OTR-2000 Wall To Wall - 2 Side Panel**



**Hardware List**

- 1 x OTR2000 Sliding Door Kit
- CS18 Channel - sold separately
- AS6 Water Bar - sold separately
- CS18 End Cap - sold separately
- 1 x Handle or Knob, Customers Selection
- Allow holes for handle or knob - sold separately

**Note**

Cut channel on side panel, less 20mm to allow door guide to clamp to glass at bottom of side panel.  
Clear opening 625mm - subject to handle type.  
Max door weight 45kgs.

Ex Auckland Store. All prices exclude G.S.T.