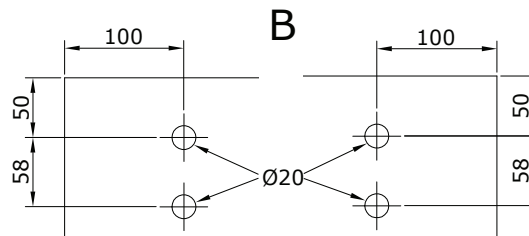
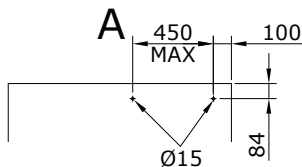
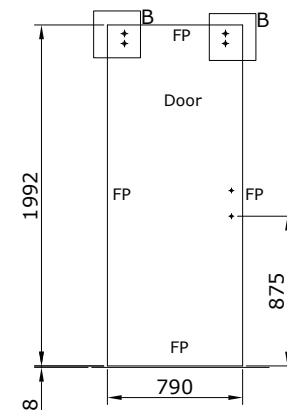
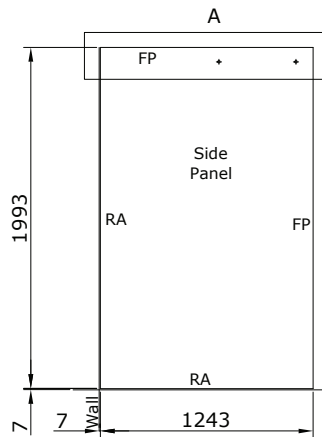
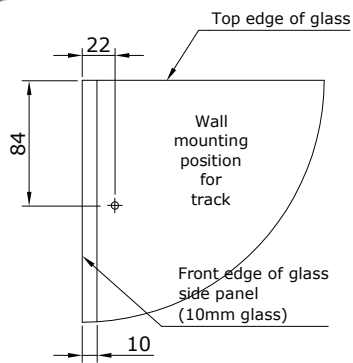
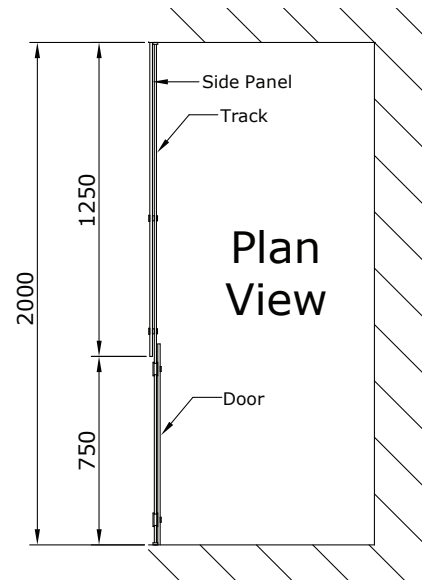
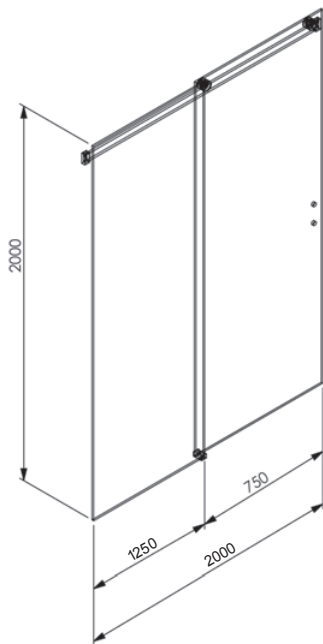


Set Out Details

SHOWER SETOUT EXAMPLES

Sliding Shower OTR-2000 Wall To Wall - 1 Side Panel



Hardware List

- 1 x OTR2000 Sliding Door Kit
 - CS18 Channel - sold separately
 - AS6 Water Bar - sold separately
 - CS18 End Cap - sold separately
 - 1 x Handle or Knob, Customers Selection
- Allow holes for handle or knob - sold separately

Note

Cut channel on side panel, less 20mm to allow door guide to clamp to glass at bottom of side panel.
Clear opening 665mm - subject to handle type.
Max door weight 45kgs.

Ex Auckland Store. All prices exclude G.S.T.