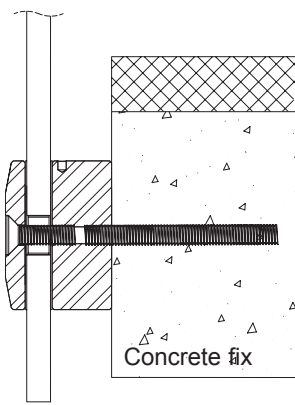
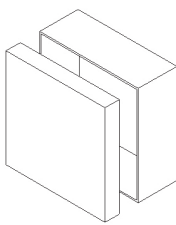
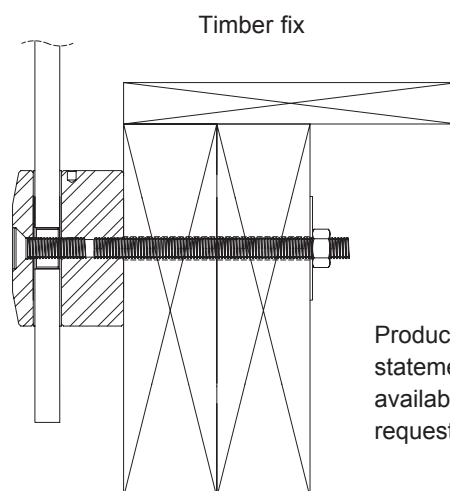
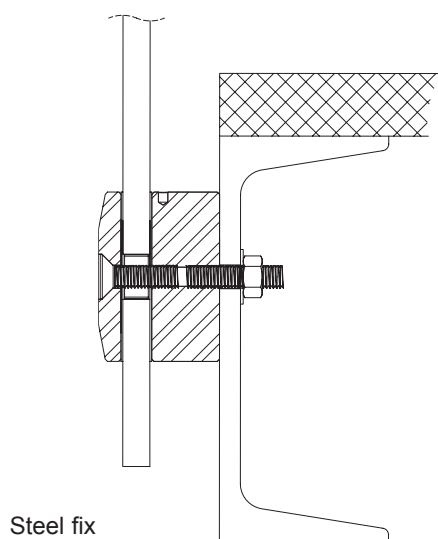
**Merchant Price List**

FRAMELESS BALUSTRADE SYSTEMS

75mm Face Fix Single Disc Fittings

Specify glass thickness

Product	Code	Description	Price
 <p>Concrete fix</p>	MB75/T/T30	<p>Heavyweight Single Disc 75mm diameter disc Fitting suitable for single line Fixings at 400mm max centres 30mm Standoff</p> <p>Suitable for 12mm and 15mm toughened glass Specify glass thickness NB: Fixings ordered separately See M12 Rod Fixings on page 5.21</p> <p>Glass hole 25mm</p>	
	MB 75-SQ	<p>Square Cover Kit to convert MB75/T/T30 to square fitting 316SSS 316PSS</p>	



Producer
statements
available on
request.

For protection against a fall, refer building code and / or any proprietary design document.

Ex Auckland Store. All prices exclude G.S.T.