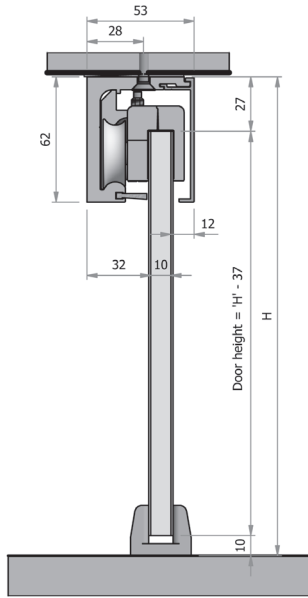


Merchant Price List

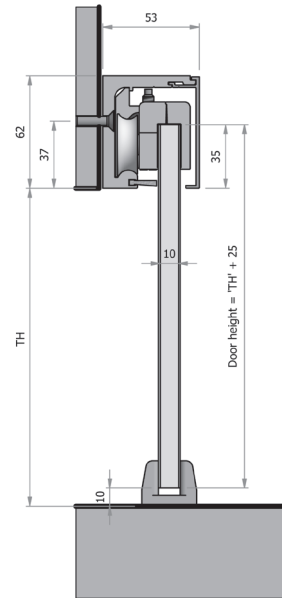
SPECIALITY FRAMELESS DOOR SYSTEMS

Glass Glide Sliding Door Setout Details

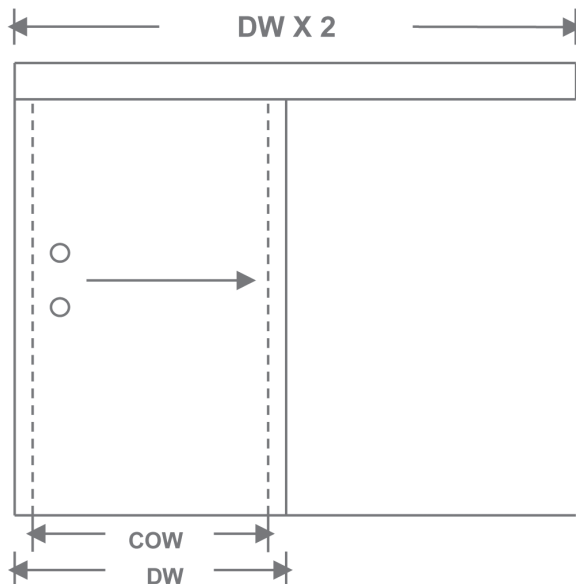
Specify 10mm or 12mm toughened glass



Ceiling fix
To determine door height
H = Overall opening height
DH = Glass door height
DH = H less 37mm



Wall fix
To determine door height
TH = Opening height to underside of transom
DH = Glass door height
DH = TH plus 25mm



To determine door width
COW = Clear opening width
DW = Door width
Doors typically overlap the clear opening by 35mm each side
Eg. DW = COW + 70mm
Track length is 2 x door width

Ex Auckland Store. All prices exclude G.S.T.