

**Merchant Price List****FRAMELESS COMMERCIAL HARDWARE**

This 90° Door Seal provides a seal between Frameless Glass Sliding door panels and sidelights or walls.

**Selection Chart:**

**X = Glass thickness 10mm or 12mm**  
**Y = Wool pile (just touches side panel)**

**For 10mm thick glass**

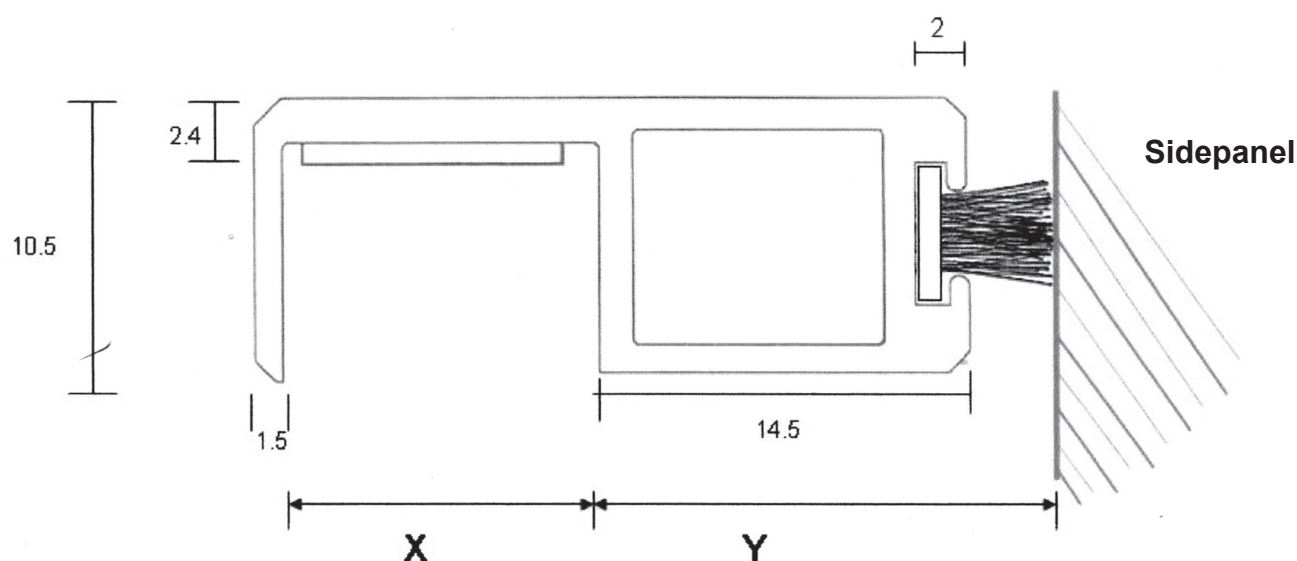
**X = 10mm**    Y = 18mm Order DSS90-10-18  
                   Y = 20mm Order DSS90-10-20  
                   Y = 23mm Order DSS90-10-23  
                   Y = 26mm Order DSS90-10-26  
                   Y = 28mm Order DSS90-10-28  
                   Y = 32mm Order DSS90-10-32

**For 12mm thick glass**

**X = 12mm**    Y = 18mm Order DSS90-12-18  
                   Y = 20mm Order DSS90-12-20  
                   Y = 23mm Order DSS90-12-23  
                   Y = 26mm Order DSS90-12-26  
                   Y = 28mm Order DSS90-12-28  
                   Y = 32mm Order DSS90-12-32

**Features:**

- Suitable for Manual or Automatic Doors
- Slim profile
- Will reduce draughts
- Will assist with noise reduction
- Available for 10mm or 12mm thick glass
- Self adhesive
- Silver Anodised Finish with Grey woolpile
- Profile designed to match DS180 edge seal
- Available with different woolpile lengths
- Supplied in 3000mm lengths



Ex Auckland Store. All prices exclude G.S.T.