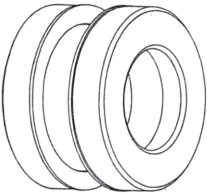
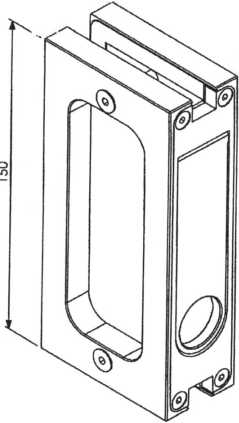
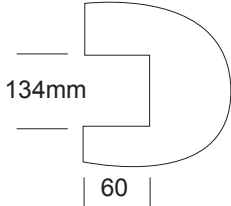


Merchant Price List

FRAMELESS COMMERCIAL HARDWARE

Sliding Door Finger Pull

Product	Code	Description	Price
	FP50-10 FP50-12	Sliding Door Finger Pull 50mm Dia Finish SSS Specify glass thickness 10mm or 12mm Glass cut out, 40mm Dia hole	
	FP150-10 FP150-12	Sliding Door Flush Handle with Ring Pull for cavity installation 150mm x 70mm x36mm Finish SSS Specify glass thickness 10mm or 12mm	
		Cut Out Detail 	

Ex Auckland Store. All prices exclude G.S.T.