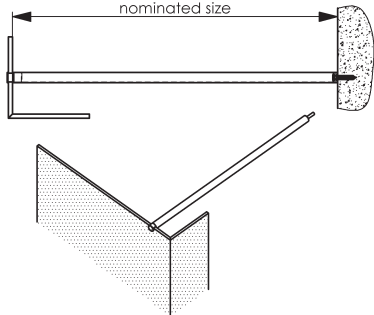
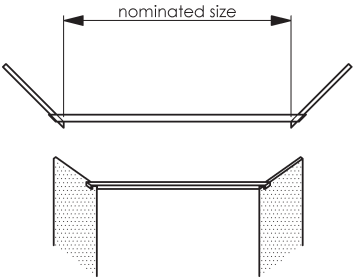
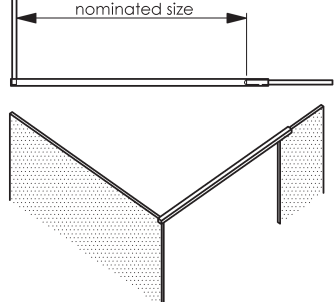
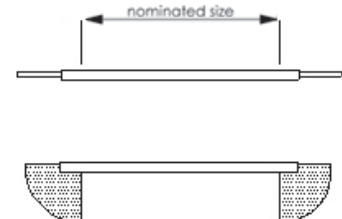


Merchant Price List

SHOWER COMPONENTS

Frameless Shower Support Headers

Product	Code / Description	Polished Chrome	Satin Chrome
<p>Type 6</p> 	<p>SH-T6 Wall to side panel support header. Sits over glass 25mm diameter rod. Specify length and glass thickness. Manufactured to custom sizes up to 1200mm long.</p>		
<p>Type 3</p> 	<p>SH-T3 Quadrant support header sits over glass. 16 x 16 square section. Specify opening and glass thickness. Manufactured to custom sizes up to 1200mm long.</p>		
<p>Type 1</p> 	<p>SH-T1 Side panel to return support header. Sits over glass 16 x 16 square section. Specify opening size and glass thickness. Manufactured to custom sizes up to 1200mm long.</p>		
<p>Type 4</p> 	<p>SH-T4 Inline side panel to side panel header. Sits over glass 16 x 16 square section. Specify opening size and glass thickness. Manufactured to custom sizes up to 1200mm long.</p>		

Adjustable Support Headers also available – please enquire

Ex Auckland Store. All prices exclude G.S.T.