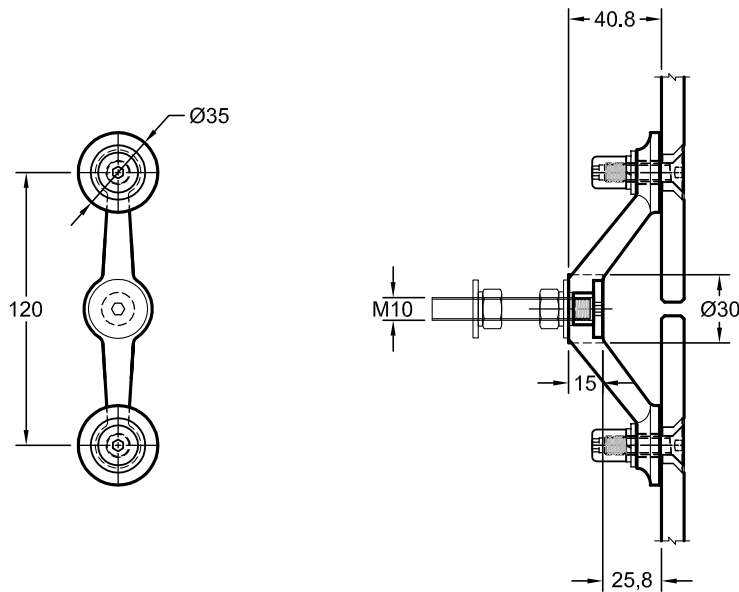


**Merchant Price List**

AUSTVISION FRAMELESS ASSEMBLIES

**Light Weight Spider**

Code	Description	Price
443/2	Specify Glass Thickness and Fixing Type Specify finish 316SSS or PSS	



GLASS FASTENERS  
STANDARD

3 OPTIONS

<p>M8 Csk SCREW</p> <p>GLASS HOLE DETAIL</p>	<p>M8 Csk SCREW WITH Ra DISC</p> <p>GLASS HOLE DETAIL</p>	<p>M10 Csk SCREW</p> <p>GLASS HOLE DETAIL</p>	<p>M10 Csk SCREW WITH Ra DISC</p> <p>GLASS HOLE DETAIL</p>
--	---	---	--

Ex Auckland Store. All prices exclude G.S.T.