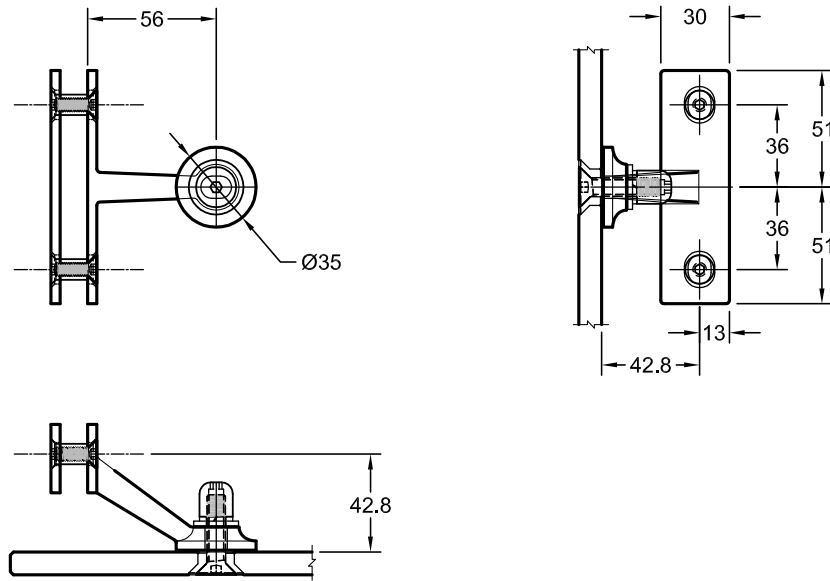


Merchant Price List

AUSTVISION FRAMELESS ASSEMBLIES

Light Weight Spider

| Code | Description | Price |
|---------|---|-------|
| 444/2/1 | Specify Glass Thickness and Fixing Type Specify finish 316SSS or PSS | |



GLASS FASTENERS
STANDARD

3 OPTIONS

| | | | |
|--|---|---|--|
| <p>M8 Csk SCREW</p> <p>GLASS HOLE DETAIL</p> | <p>M8 Csk SCREW WITH Ra DISC</p> <p>GLASS HOLE DETAIL</p> | <p>M10 Csk SCREW</p> <p>GLASS HOLE DETAIL</p> | <p>M10 Csk SCREW WITH Ra DISC</p> <p>GLASS HOLE DETAIL</p> |
|--|---|---|--|

Ex Auckland Store. All prices exclude G.S.T.