

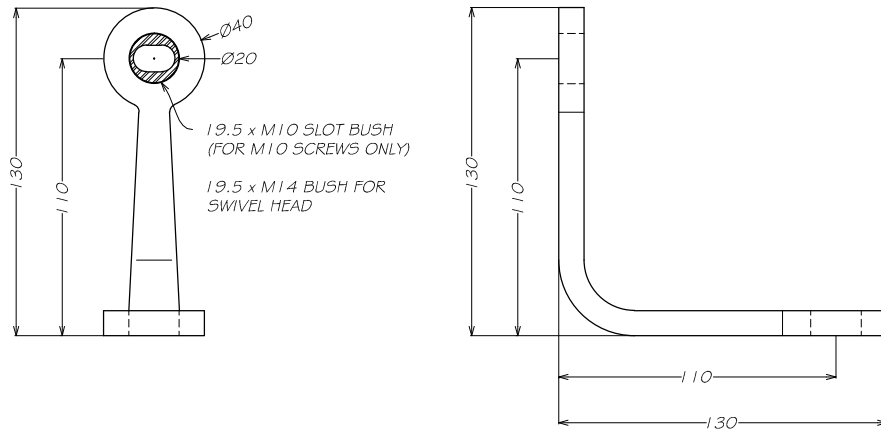
Merchant Price List

AUSTVISION FRAMELESS ASSEMBLIES

Special Spider Series

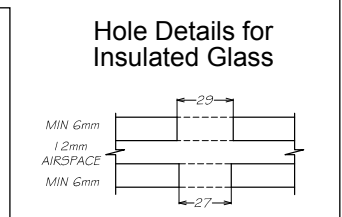
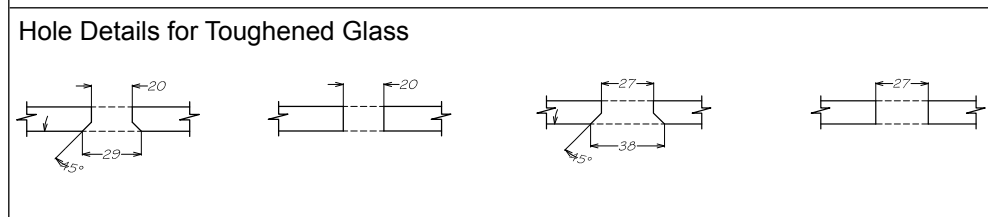
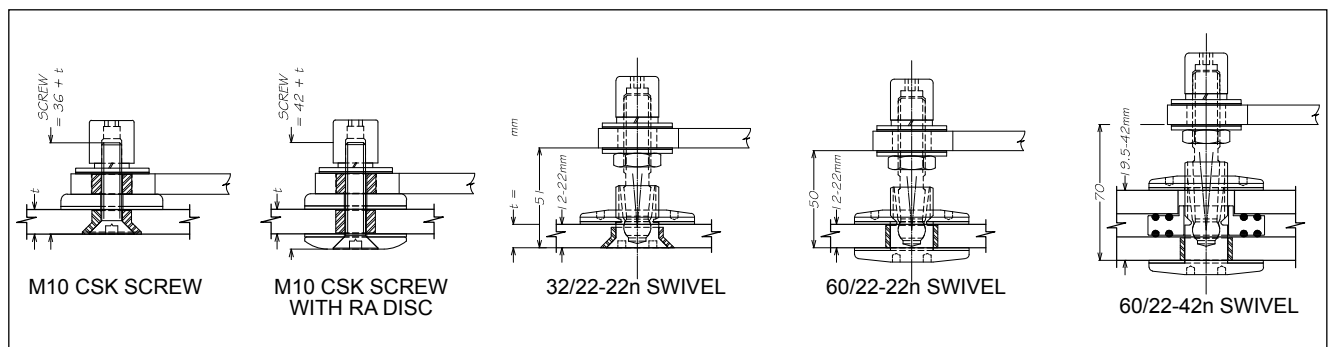
Code	Description	Price
448/2/90°	Specify Glass Thickness and Fixing Type Specify finish 316SSS or PSS	

PLEASE NOTE: Item not readily stocked. Allow lead time for delivery of parts.



448-2-90 SPIDER

Typical Fixing Options



Ex Auckland Store. All prices exclude G.S.T.