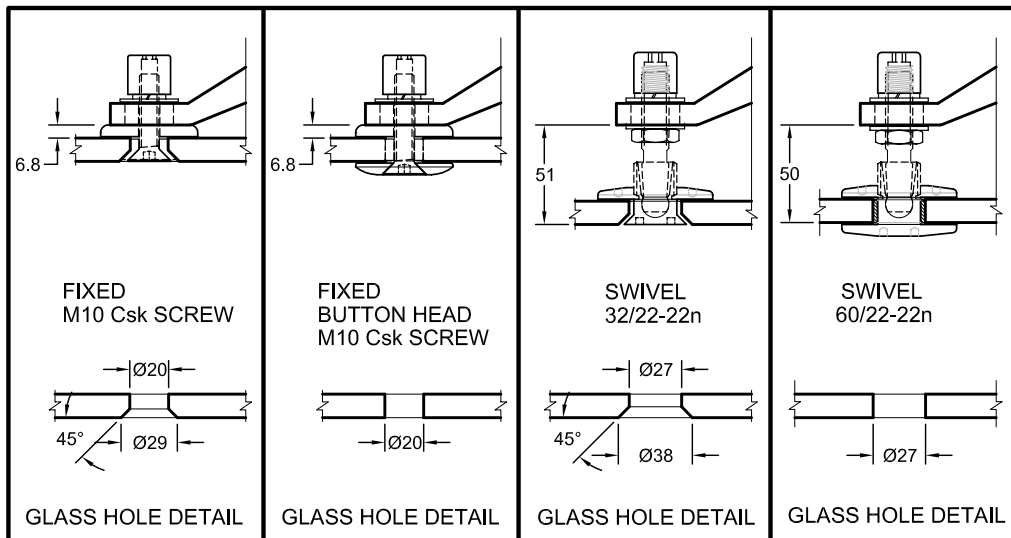
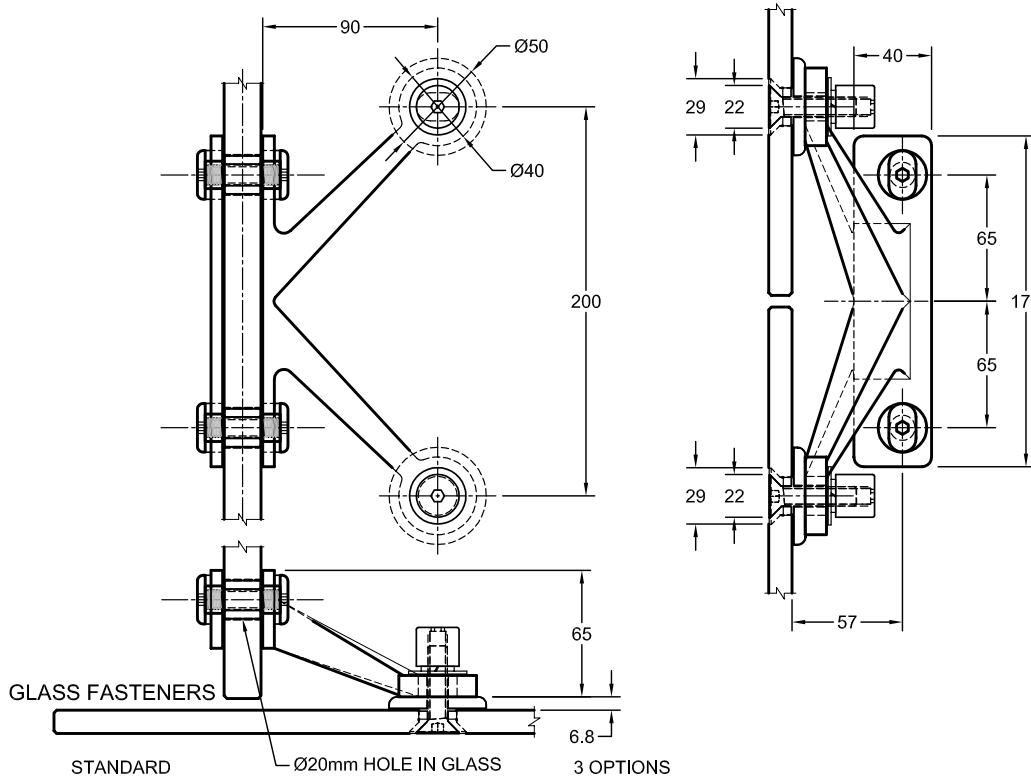


## Merchant Price List

# AUSTVISION FRAMELESS ASSEMBLIES

## Heavy Duty Spider

Code	Description	Price
445/4M/2	Specify Glass Thickness and Fixing Type Specify finish 316SSS or PSS	



Ex Auckland Store. All prices exclude G.S.T.