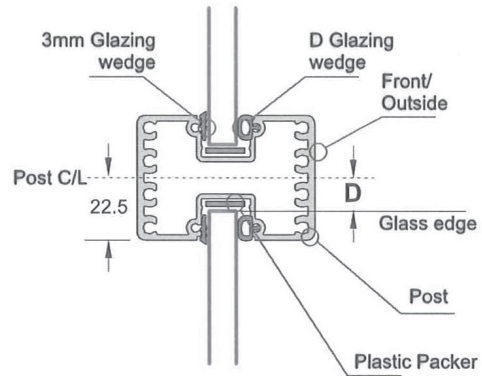
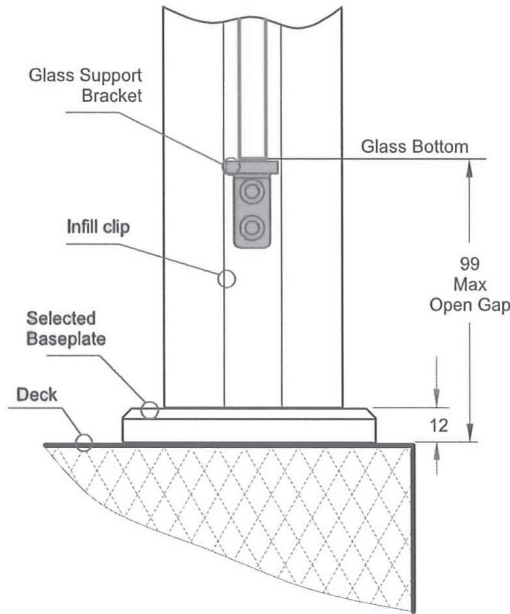


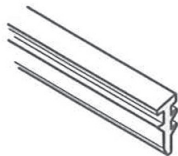
# SEMI FRAMELESS ALUMINIUM POSTS

## Post Details & Components

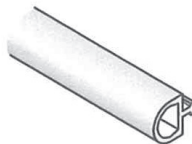


**Note: Dimension D.**  
If using Flush Top Cap (ie NO upstand) D = 10mm  
If using Notched Top Cap (ie Upstand) D = 11.5mm  
The use of a plastic packer between Glass and edges of the Notched Top Cap is strongly recommended

3mm Glazing Wedge



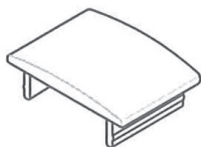
Glazing D Seal



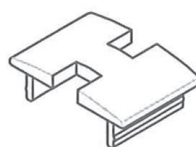
Glass Support Bracket



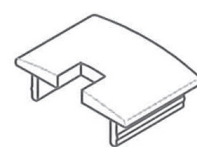
Top Cap for Full Height Posts



Top Cap for Low Height Intermediate Posts



Top Cap for Low Height End Posts



Ex Auckland Store. All prices exclude G.S.T.