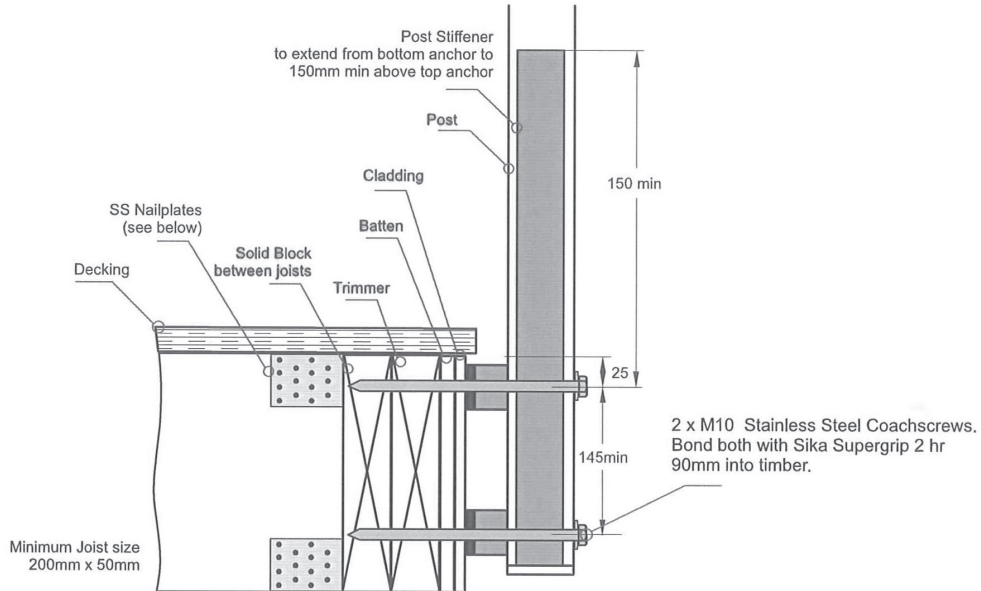
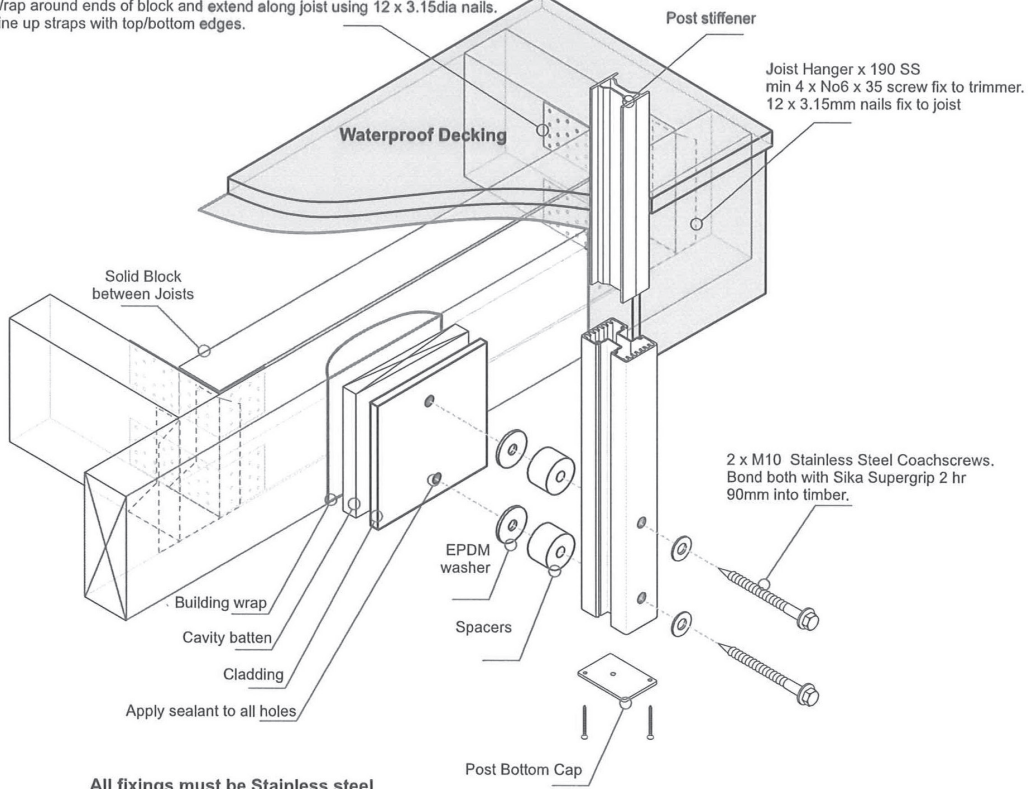


SEMI FRAMELESS ALUMINIUM POSTS

Face Fix example to waterproofed Timber Deck



Set of 2 x 50mm wide Lumberlok Multibrace
Stainless steel straps. Nail to front face of block before installing.
Wrap around ends of block and extend along joist using 12 x 3.15dia nails.
Line up straps with top/bottom edges.



All fixings must be Stainless steel

Design engineer must ensure deck can support a moment of 2.03 KNm applied at each post

Ex Auckland Store. All prices exclude G.S.T.