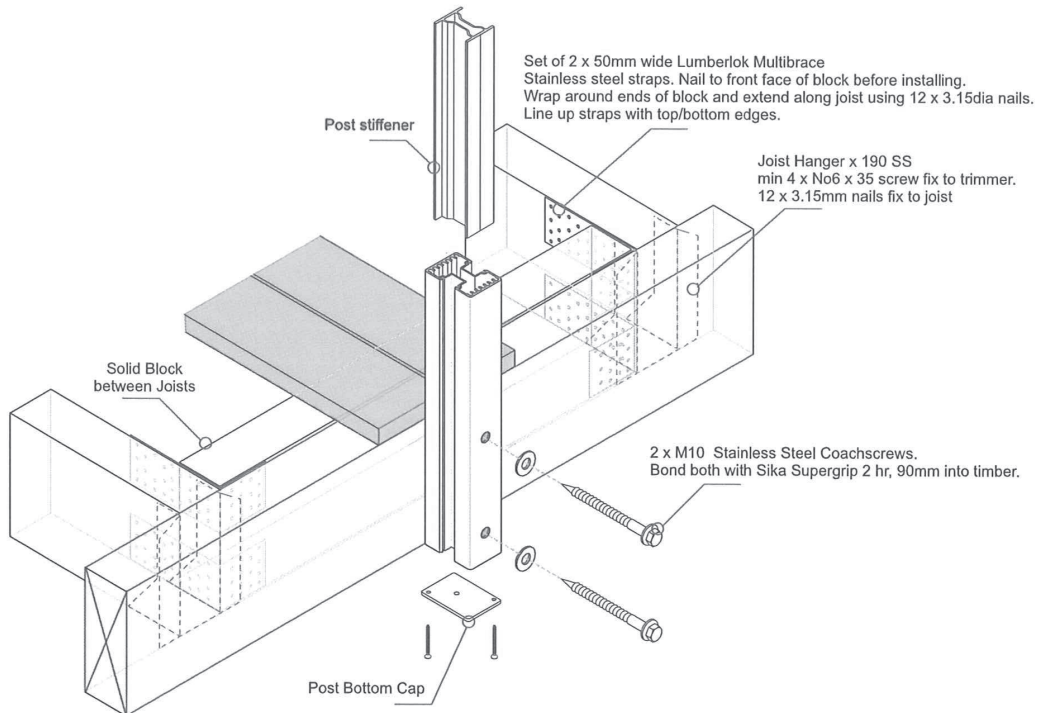
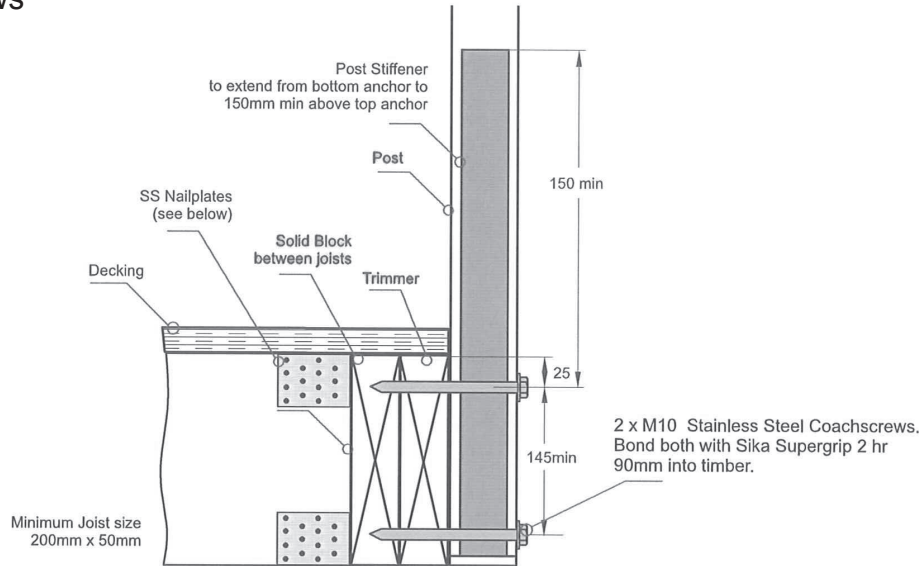


## SEMI FRAMELESS ALUMINIUM POSTS

### Typical Face Fix to Timber Deck

Using Coach Screws



All fixings must be Stainless steel

Design engineer must ensure deck can support a moment of 2.03 KNm applied at each post

Ex Auckland Store. All prices exclude G.S.T.