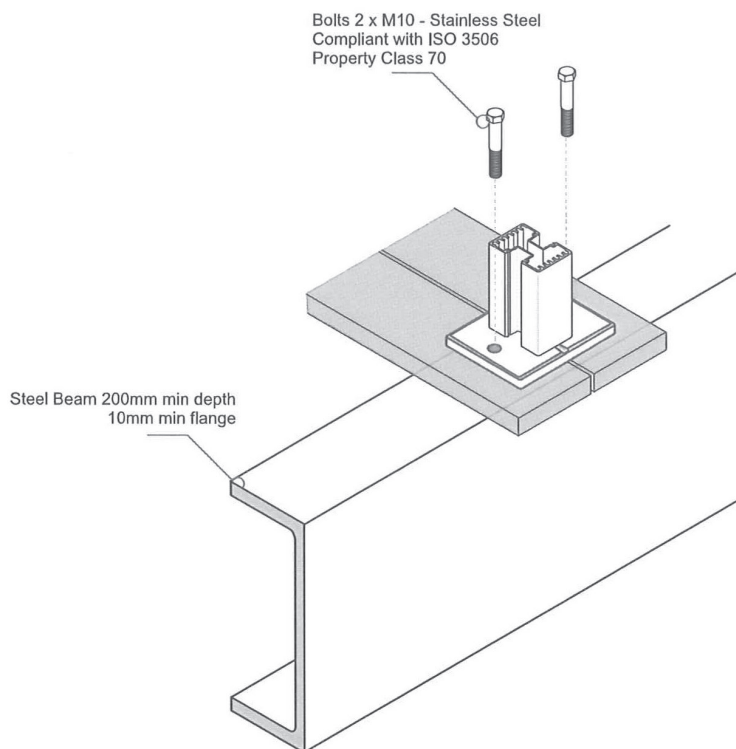
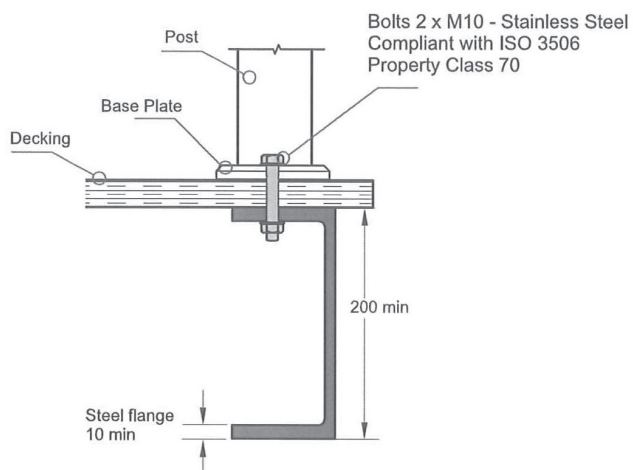




SEMI FRAMELESS ALUMINIUM POSTS

Typical Base Fix to Steel

Using Type 3 base plate



All fixings must be Stainless steel

Design engineer must ensure deck can support a moment of 1.7 KNm applied at each post

Ex Auckland Store. All prices exclude G.S.T.