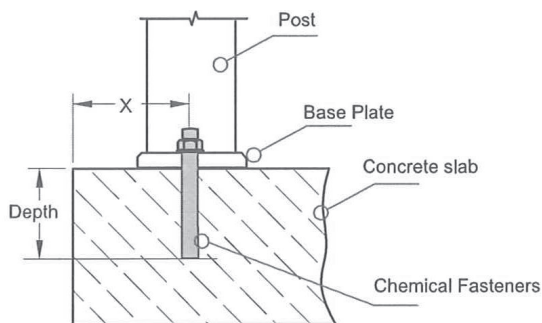


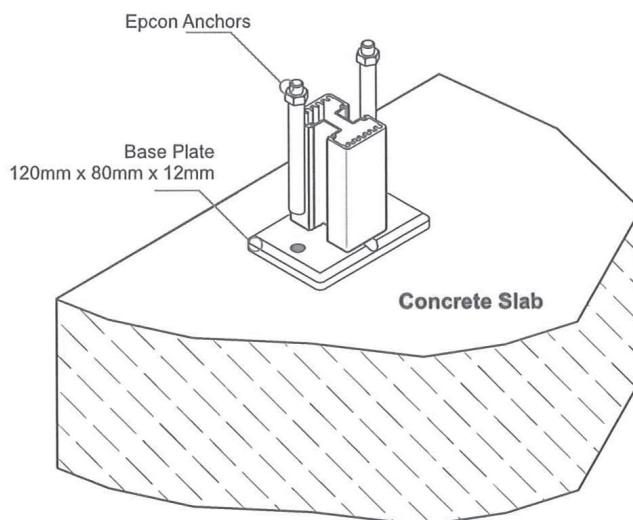
SEMI FRAMELESS ALUMINIUM POSTS

Typical Base Fix to Concrete

Using Type 3 base plate



Base Plate 120mm x 80mm	X (min)	Depth (min)
2 off M12 Epcon Anchors, Stainless Steel	60mm	90mm



All fixings must engage into the structural slab

Design engineer must ensure deck can support a moment of 1.7 KNm applied at each post

Ex Auckland Store. All prices exclude G.S.T.