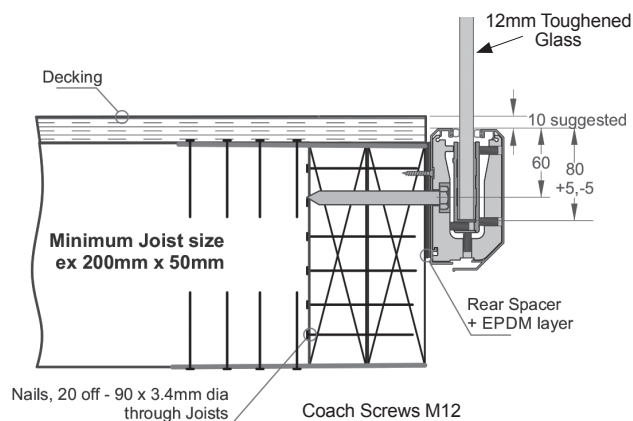


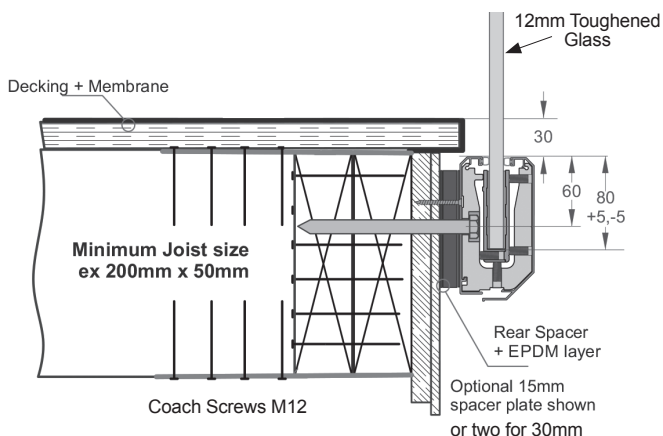
FRAMELESS BALUSTRADE SYSTEMS

Infinity BA124 Typical Installation Examples



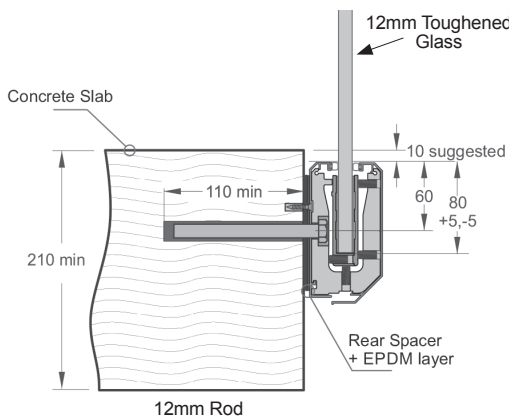
Timber Deck - M12 Coach Screw Occupancy Residential A & C3 only

- 1 - Coach screws 90mm min thread engagement into joists.
- 2 - Bond all coach screws with SIKA Supergrip to full depth.
- 3 - A Rubber, EPDM or Foam Tape layer must be installed between the Clamp and Timber.



Waterproof Timber Deck - M12 Coach Screw Occupancy Residential A & C3 only

- 1 - Coach screws 90mm min thread engagement into joists.
- 2 - Bond all coach screws with SIKA Supergrip to full depth.
- 3 - A Rubber, EPDM or Foam Tape layer must be installed between the Clamp and Timber.



Concrete Deck - M12 Stud

Occupancy
Residential A & C3 = 12mm Toughened
Commercial B, E & C3 = 15mm Toughened

- 1 - All fixings must engage into the structural slab.
- 2 - A Rubber, EPDM or Foam Tape layer must be installed between the Clamp and Concrete.

**For full installation details please refer to Infinity BA124 System Manual and Producer Statement.
For protection against a fall, refer building code and / or any proprietary design document.**

Ex Auckland Store. All prices exclude G.S.T.