

RESIDENTIAL MULTIRIB WALL CLADDING

JAMB FLASHING FOR VERTICAL CLADDING ON CAVITY. (RECESSED WINDOW/DOOR)

Detail Number: RI-RMRWO12B-1

Date drawn: 07/07/2017

Scale: 1 : 5@ A4

GENERAL NOTES:

1. REFER TO E2/AS 1 FOR GENERAL WINDOW OPENING FOR WRAPPING OF FRAMED OPENING PRIOR TO WINDOW INSTALLATION.
2. A MIN. OF 8mm EFFECTIVE COVER AT SILLS SHALL BE PERMITTED WHERE NECESSARY TO ALLOW FOR TOLERANCES.
3. WINDOW PROFILE TO BE SELECTED TO ACHIEVE COVER SHOWN IN DETAILS.
4. ARCHITRAVE'S ARE SHOWN FOR CONSISTENCY ONLY, DETAIL MAY BE USED WITH REBATED LINER.
5. WHERE SUPPORT BRACKETS ARE REQUIRED BY THE WINDOW MANUFACTURER TO CARRY THE FRAME AND GLAZING LOADS THEY MUST BE SUPPLIED AS AN INTEGRAL PART OF THE WINDOW MANUFACTURER'S RECOMMENDATIONS.
6. LIAISE WITH WINDOW MANUFACTURER PRIOR TO INSTALLATION.
7. REFER TO E2/AS 1 FOR ALTERNATIVE.
8. CAVITY BATTENS CONTAINING CORROSIVE MATERIAL MUST BE SEPERATED FROM METAL CLADDING BY DPC, BUILDING WRAP, PVC OR PAINTING
9. CASTELLATED BATTEN, DRAINAGE PLASTIC BATTEN OR APPROVED DRAINED BATTEN CAN BE USED WITH THIS SYSTEM

BUILDING WRAP DRESSED INTO OPENING WITH 50mm RETURN TO INSIDE OF FRAME WITH WINDOW FLASHING TAPE INSTALLED OVER WRAP TO CORNERS

ROOFING INDUSTRIES BACK TRAY* FLASHING RUN FROM TOP OF HEAD FLASHING TO GROUND OR EXIT POINT

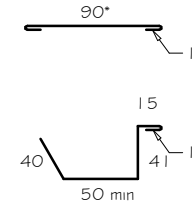
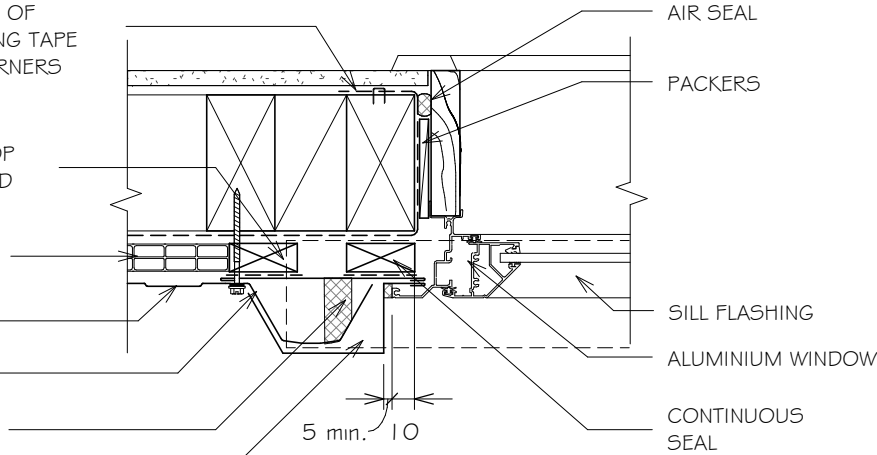
HORIZ BATTEN BETWEEN VERTICAL BATTENS

ROOFING INDUSTRIES 'MULTIRIB'

SCREW FIXING

CONTINUOUS COMPRESSIBLE FOAM SEAL

ROOFING INDUSTRIES JAMB FLASHING



* Back tray size may require to increase to ensure coverage at ends of head flashing. (Dimensions are indicative only)
Turn down end of head flashing

REFERENCE FLASHINGS: NZ METAL ROOF AND WALL CLADDING CODE OF PRACTICE NZMRM AND E2/AS 1. DIMENSIONS ARE INDICATIVE ONLY

NOTES:

- These details are generally in compliance with E2/AS 1 and/or the NZ Metal Roof & Wall Cladding Code of Practice and in some cases specific details by 'Roofing Industries'.
- The building designer is ultimately responsible to ensure that details used meet the requirements of the NZ Building Code for the specific project.
- Details of the supporting structure including cavity battens are indicative only and are the responsibility of the building designer. For steel framed buildings thermal break cavity battens may be required.
- Underlay selection and building wrap types are the responsibility of the designer. When rigid wall underlay is required it is the designers responsibility to ensure the correct type is used and follow the manufacturers recommendation for installation.
- These details are for Roofing Industries profile/s as nominated and may not be applicable to other profiles.
- This drawing is the copyright of 'Roofing Industries' and can only be copied or reproduced with their permission.
- Further information can be obtained from the NZ Metal Roof & Wall Cladding Code of Practice: www.metalroofing.org.nz OR NZBC clause E2/AS 1.

Copyright detail © 2017

