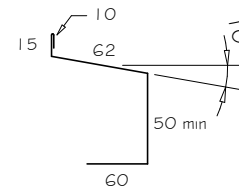
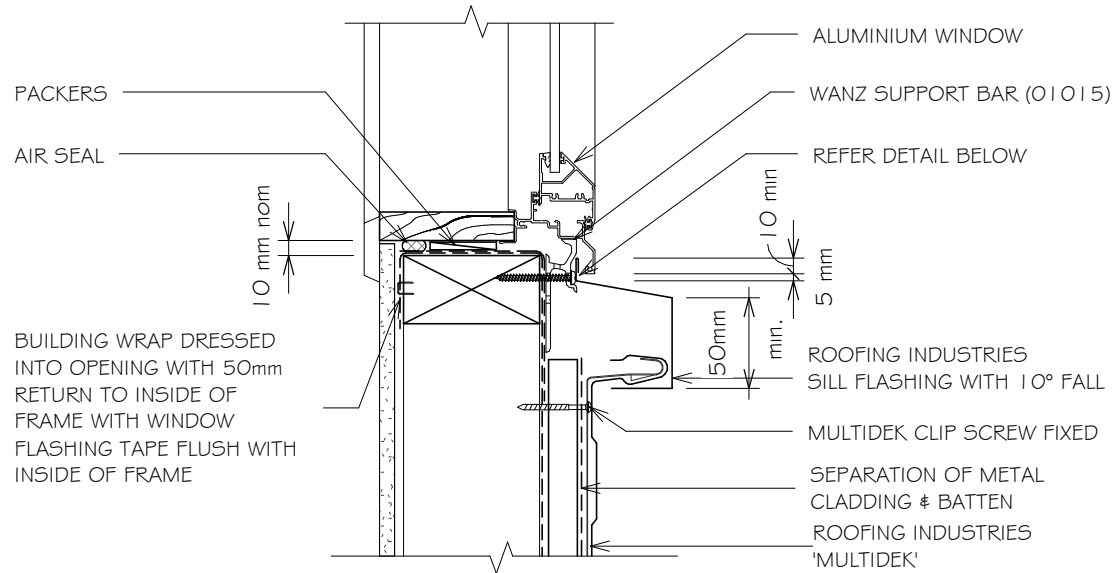


RESIDENTIAL MULTIDEK WALL CLADDING SILL FLASHING FOR HORIZONTAL CLADDING (RECESSED WINDOW/DOOR)

Detail Number: RI-RMDW032C

Date drawn: 07/07/2017

Scale: 1 : 5@ A4

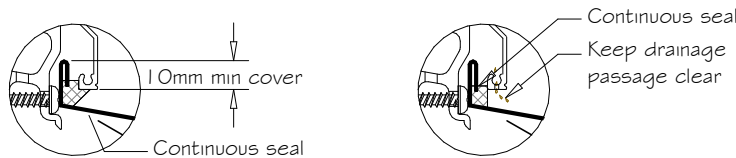


Sill flashings stop ended to receive jamb flashings (Dimensions are indicative only & show minimum lap covers)

GENERAL NOTES:

1. REFER TO E2/AS 1 FOR GENERAL WINDOW OPENING FOR WRAPPING OF FRAMED OPENING PRIOR TO WINDOW INSTALLATION.
2. A MIN. OF 8mm EFFECTIVE COVER AT SILLS SHALL BE PERMITTED WHERE NECESSARY TO ALLOW FOR TOLERANCES. WINDOW PROFILE TO BE SELECTED TO ACHIEVE COVER SHOWN IN DETAILS.
3. ARCHITRAVE'S ARE SHOWN FOR CONSISTENCY ONLY, DETAIL MAY BE USED WITH REBATED LINER.
4. WHERE SUPPORT BRACKETS ARE REQUIRED BY THE WINDOW MANUFACTURER TO CARRY THE FRAME AND GLAZING LOADS THEY MUST BE SUPPLIED AS AN INTEGRAL PART OF THE WINDOW MANUFACTURER'S RECOMMENDATIONS.
5. LIASE WITH WINDOW MANUFACTURER PRIOR TO INSTALLATION.

REFERENCE FLASHINGS:
NZ METAL ROOF AND WALL CLADDING
CODE OF PRACTICE
NZMRM AND E2/AS 1.
DIMENSIONS ARE INDICATIVE ONLY



NOTE:
Sill sealing method for flange end type drainage systems

NOTES:

- These details are generally in compliance with E2/AS 1 and/or the NZ Metal Roof & Wall Cladding Code of Practice and in some cases specific details by 'Roofing Industries'.
- The building designer is ultimately responsible to ensure that details used meet the requirements of the NZ Building Code for the specific project.
- Details of the supporting structure including cavity battens are indicative only and are the responsibility of the building designer. For steel framed buildings thermal break cavity battens may be required.
- Underlay selection and building wrap types are the responsibility of the designer. When rigid wall underlay is required it is the designers responsibility to ensure the correct type is used and follow the manufacturers recommendation for installation.
- These details are for Roofing Industries profile/s as nominated and may not be applicable to other profiles.
- This drawing is the copyright of 'Roofing Industries' and can only be copied or reproduced with their permission.
- Further information can be obtained from the NZ Metal Roof & Wall Cladding Code of Practice: www.metalroofing.org.nz OR NZBC clause E2/AS 1.

Copyright detail © 2017

