

EUROSTYLE SNAPLOCK WALL CLADDING WINDOW / DOOR JAMB FLASHING FOR VERTICAL CLADDING ON CAVITY

Detail Number: RI-ESLW012B

Date drawn: 02/02/2018

Scale: 1 : 5@ A4

BUILDING WRAP DRESSED INTO
OPENING WITH 50mm RETURN TO
INSIDE OF FRAME WITH WINDOW
FLASHING TAPE INSTALLED OVER
WRAP TO CORNERS

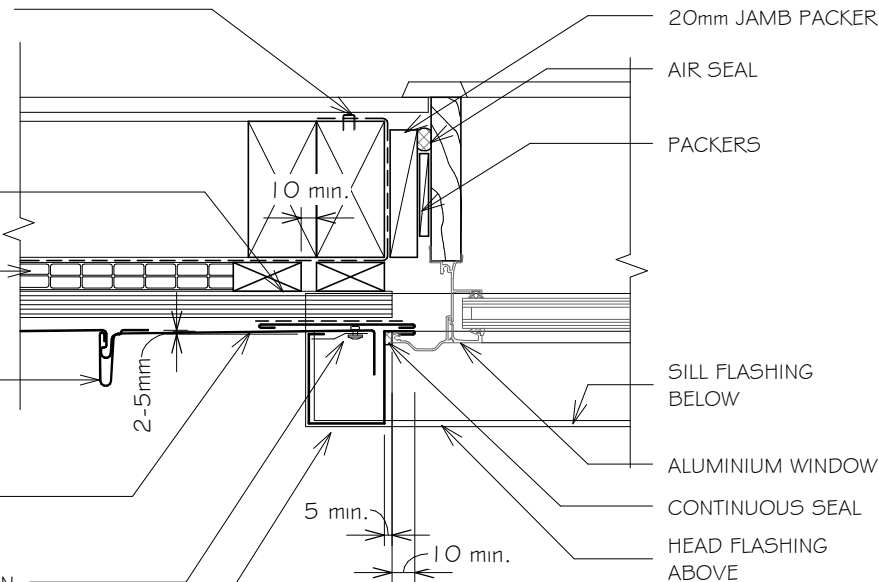
SEPARATION OF METAL
CLADDING & TIMBER BATTEN
CASTELLATED CAVITY
BATTEN BETWEEN
VERTICAL BATTENS

ROOFING INDUSTRIES
EUROSTYLE SNAPLOCK
SECRET CLIP FIXED

ROOFING INDUSTRIES BACK
TRAY* FLASHING RUN FROM
TOP OF HEAD FLASHING TO
GROUND OR EXIT POINT

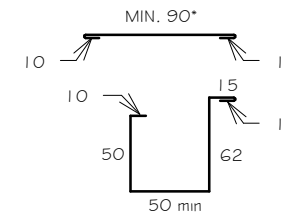
GRAB FLASHING RIVET FIXED TO PAN

ROOFING INDUSTRIES JAMB
FLASHING WITH 10mm FOLD
BEHIND GRAB FLASHING

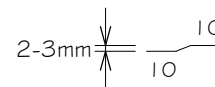


GENERAL NOTES:

1. REFER TO E2/AS1 FOR GENERAL WINDOW OPENING FOR WRAPPING OF FRAMED OPENING PRIOR TO WINDOW INSTALLATION.
2. A MIN. OF 8mm EFFECTIVE COVER AT SILLS SHALL BE PERMITTED WHERE NECESSARY TO ALLOW FOR TOLERANCES.
3. WINDOW PROFILE TO BE SELECTED TO ACHIEVE COVER SHOWN IN DETAILS.
4. ARCHITRAVE'S ARE SHOWN FOR CONSISTENCY ONLY, DETAIL MAY BE USED WITH REBATED LINER.
5. LIAISE WITH WINDOW MANUFACTURER PRIOR TO INSTALLATION.
6. ALLOW FOR SEPARATION FROM ANY CORROSIVE TIMBER TREATMENT.
7. ALL DIMENSIONS SHOWN ON DRAWINGS ARE NOMINAL +/- 5mm
8. CASTELLATED TIMBER BATTEN OR APPROVED DRAINED BATTEN MAY BE USED WITH THIS SYSTEM.



REFERENCE FLASHINGS:
NZ METAL ROOF AND WALL
CLADDING CODE OF PRACTICE.
E2/AS1 OR REFER MANUF DETAILING.
DIMENSIONS ARE INDICATIVE ONLY



- * Back tray size may require to increase to ensure coverage at ends of head flashings. Back Tray to run from top of head flashing to ground or exit point.
- * (Dimensions are indicative only)
- * Turn down end of head flashing

NOTES:

- These details are generally in compliance the NZ Metal Roof & Wall Cladding Code of Practice and in some cases specific details by 'Roofing Industries'. Eurostyle falls outside the criteria of E2/AS1 and this document is therefore not applicable.
- The building designer is ultimately responsible to ensure that details used meet the requirements of the NZ Building Code for the specific project.
- Details of the supporting structure including cavity battens are indicative only and are the responsibility of the building designer. For steel framed buildings thermal break cavity battens may be required.
- Underlay selection and building wrap types are the responsibility of the designer.
- These details are for Roofing Industries profile/s as nominated and may not be applicable to other profiles.
- This drawing is the copyright of 'Roofing Industries' and can only be copied or reproduced with their permission.
- These details to be read with Roofing Industries profile technical summary regarding wind loads and fixings.
- Further information can be obtained from the NZ Metal Roof & Wall Cladding Code of Practice: www.metalroofing.org.nz or E2/AS1.

Copyright detail © 2017

