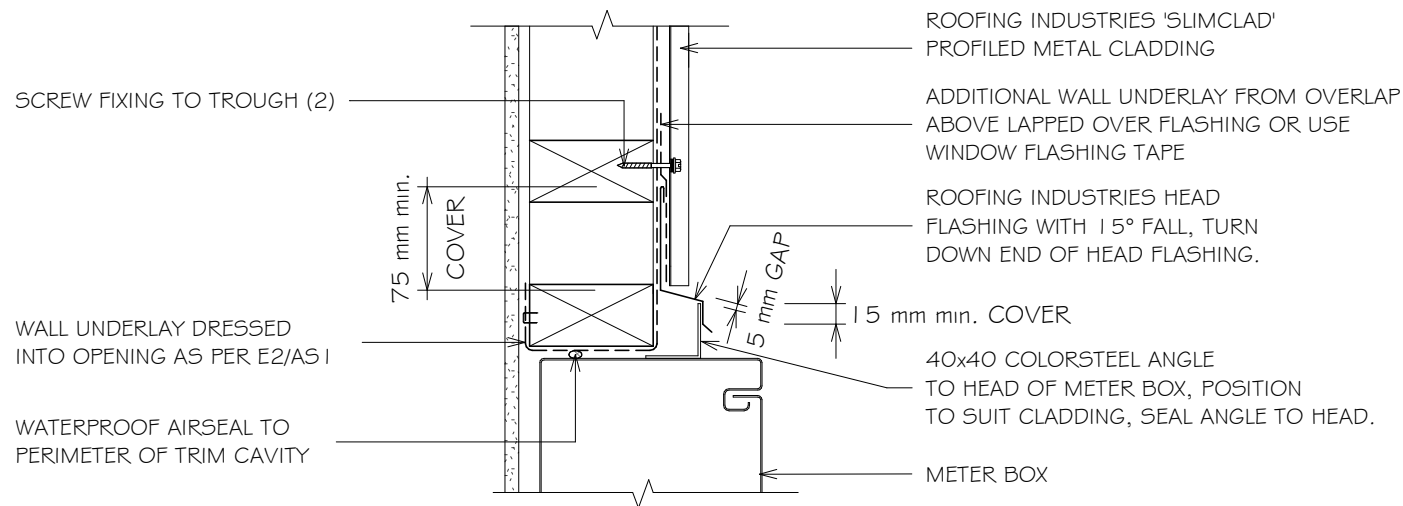


RESIDENTIAL SLIMCLAD WALL CLADDING METER BOX HEAD FLASHING FOR VERTICAL CLADDING

Detail Number: RI-RSCW015A

Date drawn: 06/09/2021

Scale: 1 : 5 @ A4



DETAIL ANNOTATION:

1. REFER TO E2/AS 1 FOR GENERAL METERBOX AND SIMILAR PENETRATIONS / OPENINGS.
2. FASTENERS TO BE COMPATIBLE WITH MATERIAL BEING FIXED AND THE SUITABLE GRADE FOR THE ENVIRONMENT IN WHICH LOCATED
3. ALTERNATIVELY REFER TO E2/AS 1 FOR FLASHING COVER GUIDANCE

METER BOX HEAD FLASHING



GENERAL NOTES:

- These details are to be read with Roofing Industries profile technical summary regarding wind loads and fixings.
- These details are generally in compliance with E2/AS 1 and/or the NZ Metal Roof & Wall Cladding Code of Practice and in some cases specific details by 'Roofing Industries'.
- The building designer is ultimately responsible to ensure that details used meet the requirements of the NZ Building Code for the specific project.
- Details of the supporting structure including cavity battens are indicative only and are the responsibility of the building designer. For steel framed buildings thermal break cavity battens may be required.
- Roof/wall underlay selection are the responsibility of the designer. Underlay to be installed in accordance with underlay manufacturer's recommendations and requirements.
- These details are for Roofing Industries profile/s as nominated and may not be applicable to other profiles.
- This drawing is the copyright of 'Roofing Industries' and can only be copied or reproduced with their permission.
- Further information can be obtained from the NZ Metal Roof & Wall Cladding Code of Practice: www.metalroofing.org.nz or E2/AS 1.
- Details are for steel based materials, other substrates may require some changes.
- All dimensions are nominal.

Copyright detail © 2021

