

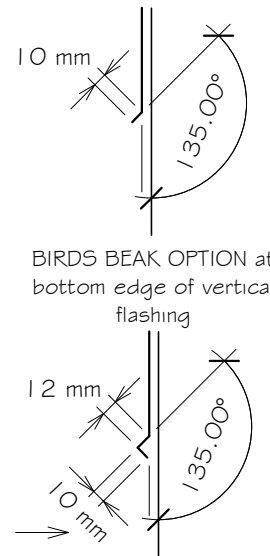
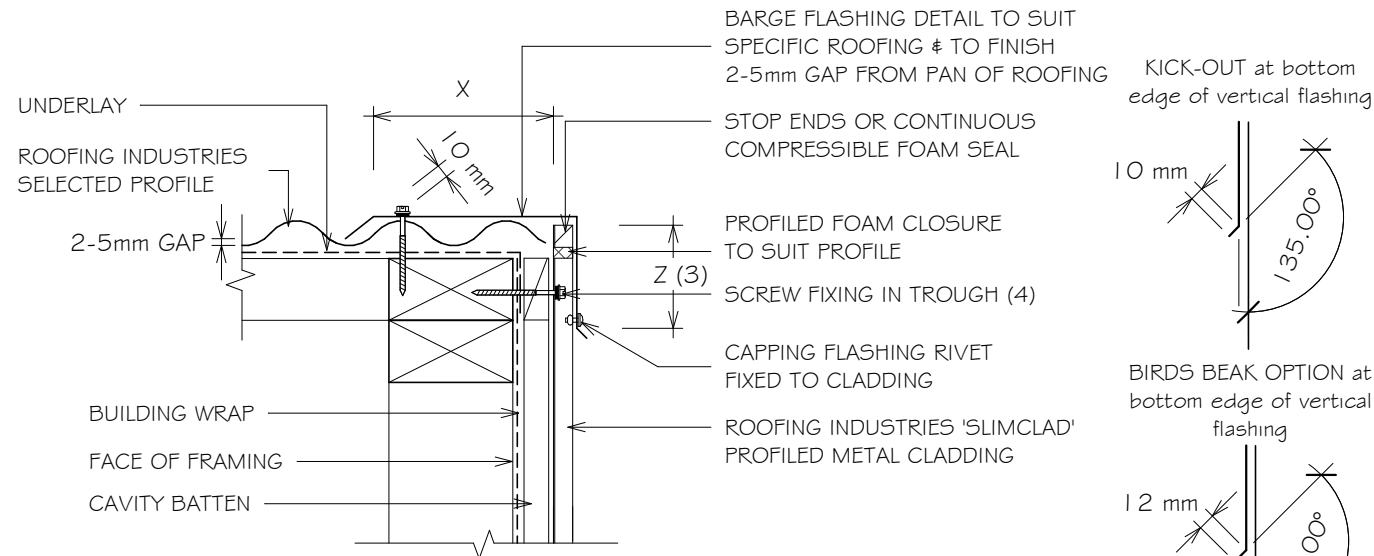
# RESIDENTIAL SLIMCLAD WALL CLADDING

## BARGE DETAIL FOR VERTICAL CLADDING ON CAVITY (KICK OUT)

Detail Number: RI-RSCW001A-1

Date drawn: 06/09/2021

Scale: 1 : 5 @ A4



Bird's beak dimensions may vary between manufacturing locations

SLIMCLAD IS OUTSIDE THE SCOPE OF E2/AS 1 BUT MAYBE APPLICABLE FOR NON RESIDENTIAL BUILDINGS OR AS AN ALTERNATIVE SOLUTION

SITE WIND ZONE (As per NZS3604)	MINIMUM	
	Z (2)	X
SITUATION 1 (6)	75mm	2 crests
SITUATION 2 & 3 (6)	100mm	2 crests

### DETAIL ANNOTATION:

- SITUATION 1, 2 & 3 AS PER E2/AS 1 TABLE 7
- EXCLUDING DRIP EDGE.
- INCREASE DISTANCE 'Z' BY 25mm WHEN AGAINST A PROFILED SURFACE OR TO 100mm WHICHEVER IS LESSER
- FASTENERS TO BE COMPATIBLE WITH MATERIAL BEING FIXED AND THE SUITABLE GRADE FOR THE ENVIRONMENT IN WHICH LOCATED
- CAVITY BATTENS OR PACKERS CONTAINING CORROSIVE MATERIAL MUST BE SEPARATED FROM METAL CLADDING BY DPC, BUILDING WRAP, PVC OR PAINTING ALTERNATIVELY REFER TO E2/AS 1 FOR FLASHING COVER GUIDANCE.

### GENERAL NOTES:

- These details are to be read with Roofing Industries profile technical summary regarding wind loads and fixings.
- These details are generally in compliance with E2/AS 1 and/or the NZ Metal Roof & Wall Cladding Code of Practice and in some cases specific details by 'Roofing Industries'.
- The building designer is ultimately responsible to ensure that details used meet the requirements of the NZ Building Code for the specific project.
- Details of the supporting structure including cavity battens are indicative only and are the responsibility of the building designer. For steel framed buildings thermal break cavity battens may be required.
- Roof/wall underlay selection are the responsibility of the designer. Underlay to be installed in accordance with underlay manufacturer's recommendations and requirements.
- These details are for Roofing Industries profile/s as nominated and may not be applicable to other profiles.
- This drawing is the copyright of 'Roofing Industries' and can only be copied or reproduced with their permission.
- Further information can be obtained from the NZ Metal Roof & Wall Cladding Code of Practice: [www.metalroofing.org.nz](http://www.metalroofing.org.nz) or E2/AS 1.
- Details are for steel based materials, other substrates may require some changes.
- All dimensions are nominal.

Copyright detail © 2021

