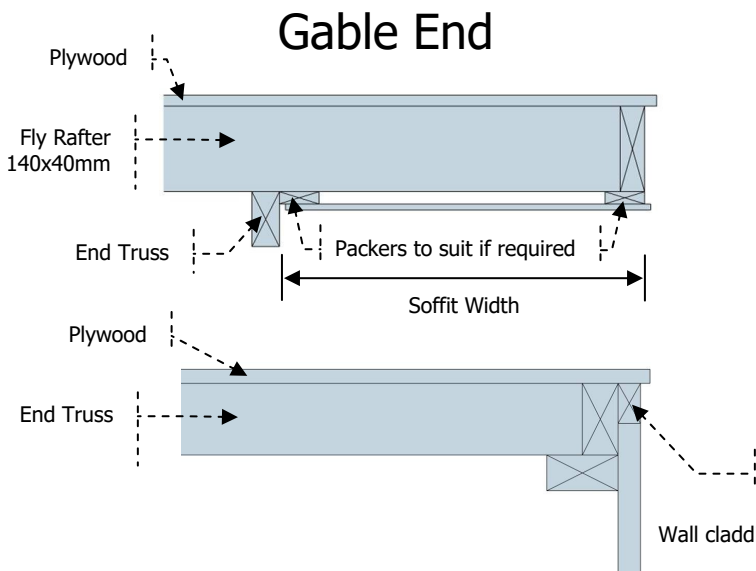
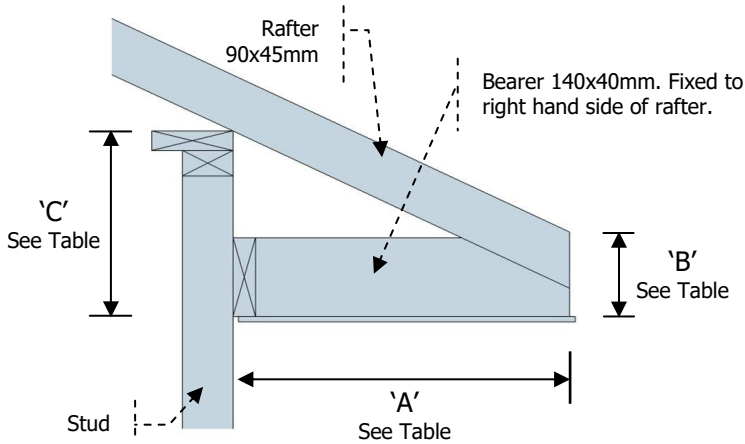


# Set Out Details - Asphalt/Fibreglass Shingles

## 185 Multifit External Fascia

"NEW: Woodgrain Embossed Fascia Available Now!"



Roof Pitch (Degrees)	Soffit Widths Dimension 'A' (mm)					Fascia Drop Dimension 'B' (mm)
	300	450	600	750	900	
	Soffit Drop Heights Dimension 'C' (mm)					
15°	171	211	252	292	332	184
17.5°	184	232	279	326	373	184
20°	202	257	312	366	421	189
22.5°	216	278	340	402	464	189
25°	230	300	369	439	509	189
27.5°	244	322	400	478	556	189
30°	263	350	436	523	610	194
35°	299	404	509	614	719	199
40°	338	464	590	716	842	204
45°	382	532	682	832	982	209
<b>Bearer Size of 140 x 40</b>						
<b>All measurements must be checked on site prior to installation.</b>						

### ⚠ Important Set Out Notes:

- Soffit bearer fixed to right hand side of the rafter, looking at the building.
- To ensure birds cannot enter the roof space leave the bottom purlin off until fascia has been installed.
- A 10mm soffit clearance has been allowed for.
- Multifit Panel Fascia System is suitable for use with sloping soffits up to 35°.
- Soffit bearers are required on all hip corners.

### Important Product Notes:

- Store product securely on site away from incompatible materials and protect from wind and operating machinery.
- Product surface protected with plastic film should be stored under cover, away from u/v light, and film removed immediately after installation.
- It is a requirement of the products warrantee to obtain and thoroughly read a copy of Roofing Industries handling, storage and installation guide. Available from the supplying branch or alternatively from [www.roof.co.nz](http://www.roof.co.nz)

### Steps To Follow:

- Inform precutter that Multifit External Fascia is being used.
- Keep in contact with the authorised installer in your area of progress/when ready for installation.
- Multifit fascia can be installed to other fascia system set outs, only by a few simple steps. Contact your local installer or Roofing Industries.