

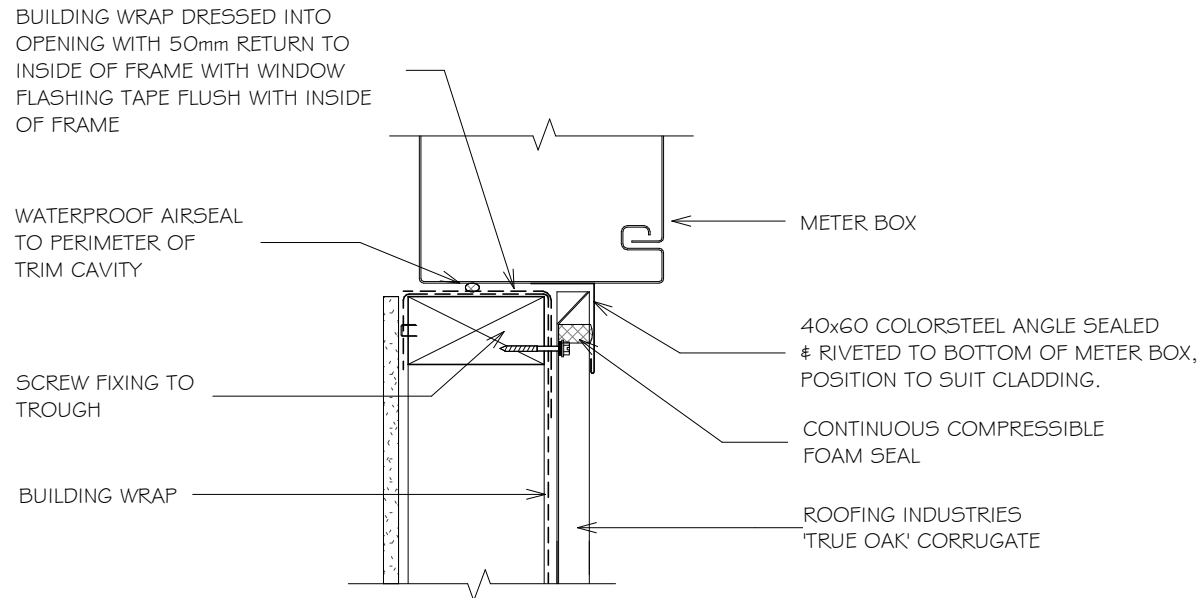
# RESIDENTIAL TRUE OAK® CORRUGATE WALL CLADDING METER BOX BASE FLASHING FOR VERTICAL CLADDING

Detail Number: RI-RTCWO17A

Date drawn: 07/07/2017

Scale: 1 : 5@ A4

NOTE:  
REFER TO E2/AS1 FOR GENERAL  
METERBOX AND SIMILAR  
PENETRATIONS / OPENINGS.



## NOTES:

- These details are generally in compliance with E2/AS1 and/or the NZ Metal Roof & Wall Cladding Code of Practice and in some cases specific details by 'Roofing Industries'.
- The building designer is ultimately responsible to ensure that details used meet the requirements of the NZ Building Code for the specific project.
- Details of the supporting structure including cavity battens are indicative only and are the responsibility of the building designer. For steel framed buildings thermal break cavity battens may be required.
- Underlay selection and building wrap types are the responsibility of the designer. When rigid wall underlay is required it is the designers responsibility to ensure the correct type is used and follow the manufacturers recommendation for installation.
- These details are for Roofing Industries profile/s as nominated and may not be applicable to other profiles.
- This drawing is the copyright of 'Roofing Industries' and can only be copied or reproduced with their permission.
- Further information can be obtained from the NZ Metal Roof & Wall Cladding Code of Practice:  
[www.metalroofing.org.nz](http://www.metalroofing.org.nz) or E2/AS1.

Copyright detail © 2017

