

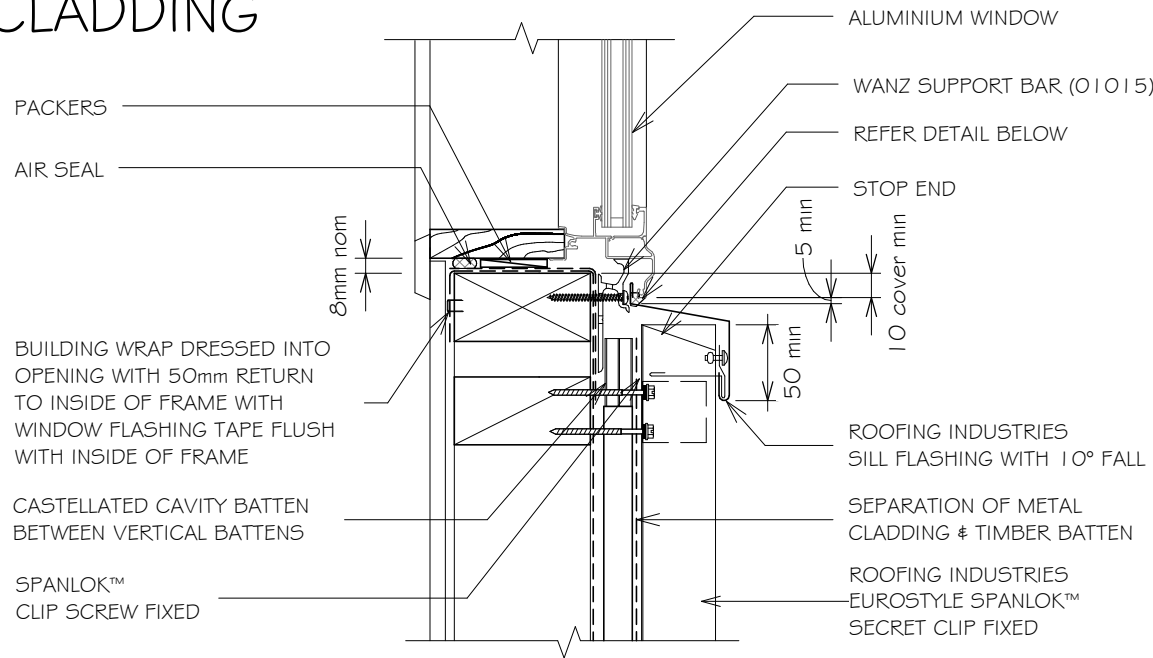
# EUROSTYLE SPANLOK™ WALL CLADDING

## WINDOW / DOOR SILL FLASHING FOR VERTICAL CLADDING

Detail Number: RI-ES45W012C

Date drawn: 02/02/2018

Scale: 1 : 5@ A4



BUILDING WRAP DRESSED INTO OPENING WITH 50mm RETURN TO INSIDE OF FRAME WITH WINDOW FLASHING TAPE FLUSH WITH INSIDE OF FRAME

CASTELLATED CAVITY BATTEN BETWEEN VERTICAL BATTENS

SPANLOK™ CLIP SCREW FIXED

ALUMINIUM WINDOW

WANZ SUPPORT BAR (Ø1015)

REFER DETAIL BELOW

STOP END

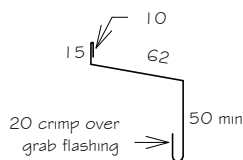
ROOFING INDUSTRIES SILL FLASHING WITH 1° FALL

SEPARATION OF METAL CLADDING & TIMBER BATTEN

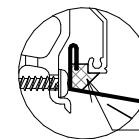
ROOFING INDUSTRIES EUROSTYLE SPANLOK™ SECRET CLIP FIXED



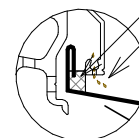
Hem to be clear of pan 3-5mm



Sill flashings stop ended to receive jamb flashings (Dimensions are indicative only & show minimum lap covers)



Continuous seal



Continuous seal  
Keep drainage passage clear

NOTE:  
Sill sealing method for flange end type drainage systems

### GENERAL NOTES:

1. REFER TO E2/AS1 FOR GENERAL WINDOW OPENING FOR WRAPPING OF FRAMED OPENING PRIOR TO WINDOW INSTALLATION.
2. A MIN. OF 8mm EFFECTIVE COVER AT SILLS SHALL BE PERMITTED WHERE NECESSARY TO ALLOW FOR TOLERANCES.
3. WINDOW PROFILE TO BE SELECTED TO ACHIEVE COVER SHOWN IN DETAILS.
4. ARCHITRAVES ARE SHOWN FOR CONSISTENCY ONLY, DETAIL MAY BE USED WITH REBATED LINER.
5. WHERE SUPPORT BRACKETS ARE REQUIRED BY THE WINDOW MANUFACTURER TO CARRY THE FRAME AND GLAZING LOADS THEY MUST BE SUPPLIED AS AN INTEGRAL PART OF THE WINDOW MANUFACTURER'S RECOMMENDATIONS.
6. LIAISE WITH WINDOW MANUFACTURER PRIOR TO INSTALLATION.
7. ALLOW FOR SEPARATION FROM ANY CORROSIVE TIMBER TREATMENTS.
8. ALL DIMENSIONS SHOWN ON DRAWINGS ARE NOMINAL +/- 5mm
9. CASTELLATED TIMBER BATTEN OR APPROVED DRAINED BATTEN MAY BE USED WITH THIS SYSTEM.

REFERENCE FLASHINGS:  
NZ METAL ROOF AND WALL CLADDING CODE OF PRACTICE. E2/AS1 OR REFER MANUF DETAILING.  
DIMENSIONS ARE INDICATIVE ONLY

### NOTES:

- These details are generally in compliance the NZ Metal Roof & Wall Cladding Code of Practice and in some cases specific details by 'Roofing Industries'. Eurostyle falls outside the criteria of E2/AS1 and this document is therefore not applicable.
- The building designer is ultimately responsible to ensure that details used meet the requirements of the NZ Building Code for the specific project.
- Details of the supporting structure including cavity battens are indicative only and are the responsibility of the building designer. For steel framed buildings thermal break cavity battens may be required.
- Underlay selection and building wrap types are the responsibility of the designer.
- These details are for Roofing Industries profile/s as nominated and may not be applicable to other profiles.
- This drawing is the copyright of 'Roofing Industries' and can only be copied or reproduced with their permission.
- These details to be read with Roofing Industries profile technical summary regarding wind loads and fixings.
- Further information can be obtained from the NZ Metal Roof & Wall Cladding Code of Practice: [www.metalroofing.org.nz](http://www.metalroofing.org.nz) or E2/AS1.

Copyright detail © 2017

